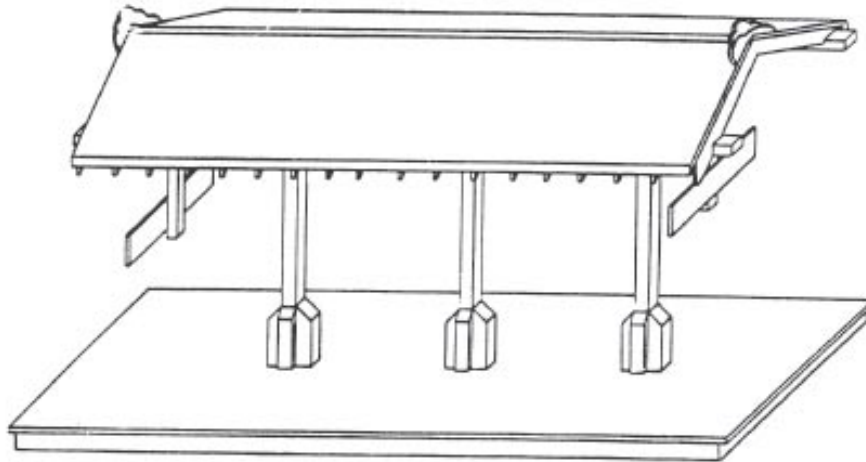


#1
Gauge

COVERED WAITING PLATFORM

INSTRUCTION MANUAL 7105-01



ARISTO-CRAFT TRAINS

REV. 082494

INTRODUCTION

Dear Model Railroader:

Should you have any questions about operation, proper usage, or maintenance required on this or any other ARISTO-CRAFT TRAINS' Model Railroad product, please contact us at the following address:

ARISTO-CRAFT TRAINS PHONE: 973-351-9800
698 SOUTH 21ST STREET FAX: 973-351-9700
IRVINGTON, NJ 07111 EMAIL: aristo@mindspring.com
www.aristocraft.com

Our phone lines are open from 10:00 AM to 5:00 PM (EASTERN STANDARD TIME) Monday through Friday

Good Railroading!!!!

ARISTO-CRAFT TRAINS

ASSEMBLY INSTRUCTIONS

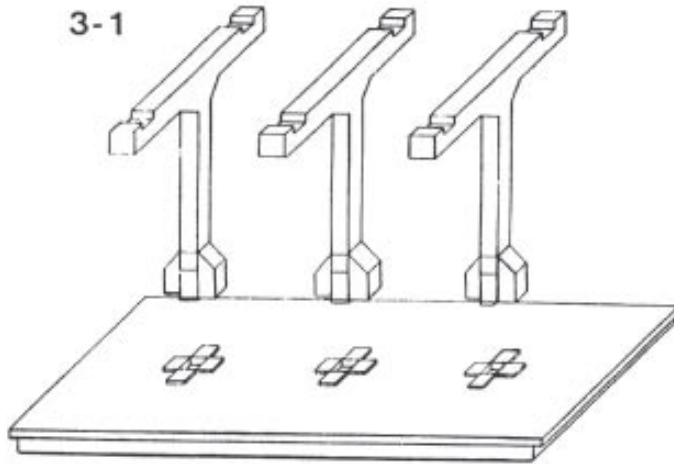
(1) Required before assembly Screwdriver and either liquid plastic cement or super glue.

2. Gluing

Apply cement or glue after each step. Let it dry thoroughly.

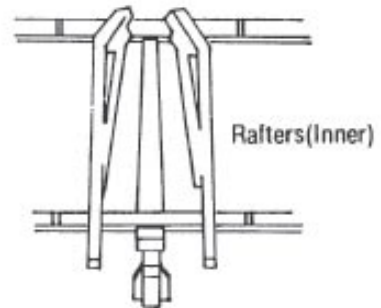
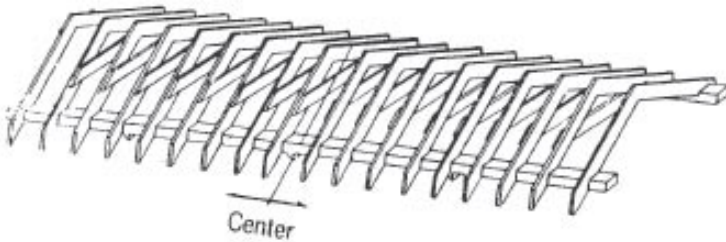
3. Assembly

3-1



Attach 3 main pillars onto the bottom plate.

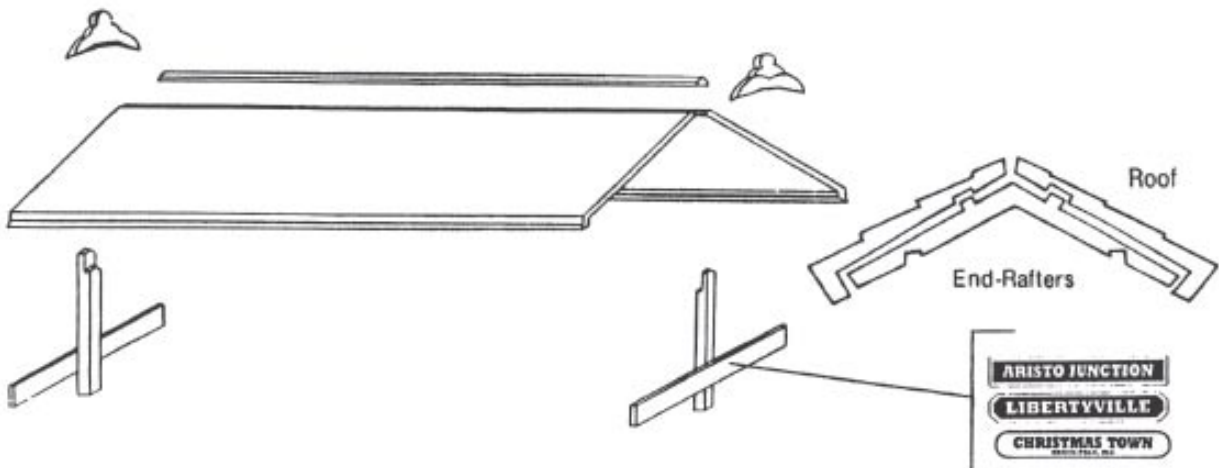
3-2



Attach the rafter supports (2 ea) on the pillars. Place the inner-rafters (16 ea) starting from the center. Please note the cross section of the inner-rafters are all facing inside to the center. (refer to the blown-up section in circle)

Place the end-rafters (2 ea) at the extreme end. (refer to "4. list of parts included" to check the difference between end-rafter and inner rafter.)

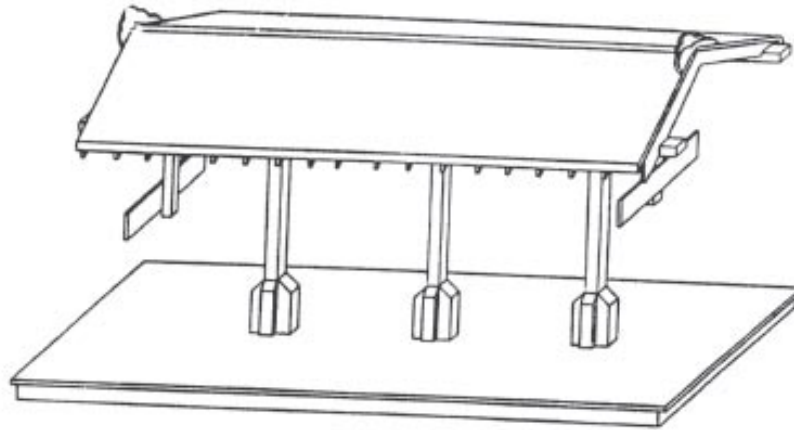
3-3



Place the roof on top of the rafters after checking they are all uniform and securely glued in place.

The bump on the end-rafter should be snapped in properly into a small receptacle provided at the roof. Attach the top ridge on the roof and the station decal.

3-4



The covered waiting platform is now completed.
 Inspect to see if there are any loose joints and check
 to see if all pieces are securely fastened.

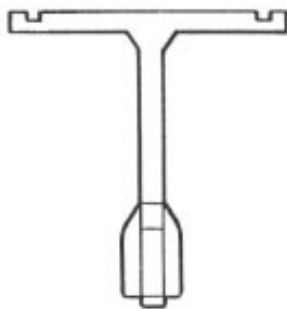
4. List of parts included



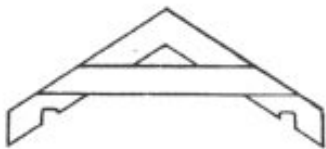
7105-02 Bottom plate 1EA



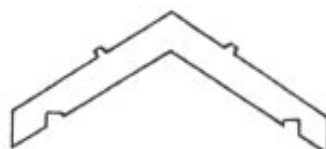
7105-03 Rafter support 2EA



7105-04 Pillar 3EA

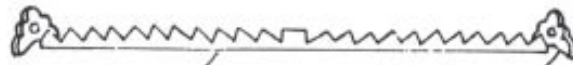
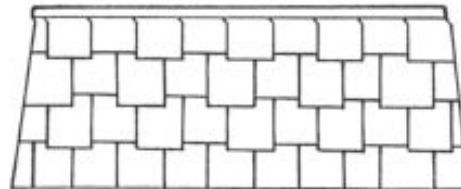


7105-05 Rafter(Inner) 16EA

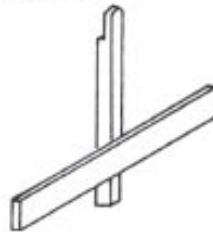


7105-06 End-Rafter 2EA

7105-07
 ROOF HALF-SECTION (2 EA)



GINGERBREAD TRIM (1 EA) WITH END CAP (2 EA)
 7105-08 7105-09



7105-10
 STATION NAMEBOARD
 (2 EA)
 FOR SIGN DECAL.



7105-11
 SIGN DECAL ASSORTMENT
 OF 3 DIFFERENT NAMES (2 EA)

PARTS LISTING for ART-7105 COVERED WAITING PLATFORM.

Call for current prices, part numbers and availability

<u>PART#</u>	<u>DESCRIPTION</u>	<u>COST</u>
7105-01	Instruction Manual	\$ 1.00
7105-02	BOTTOM PLATE	15.00
7105-03	RAFTER SUPPORT	5.00
7105-04	PILLAR	5.00
7105-05	RAFTER-Inner	4.00
7105-06	End-RAFTER	4.00
7105-07	ROOF Section (2 pcs)	15.00 set
7105-08	GINGERBREAD TRIM	5.00
7105-09	GINGERBREAD END CAP	2.00
7105-10	STATION NAMEBOARD	4.00
7105-11	SIGN DECAL ASSORTMENT	4.00

Parts listed above are sold individually except for 7105-07 ROOF Section, a 2 Piece SET and 7105-11 SIGN ASSORTMENT.

NOTE: When ordering replacement parts or repair request, please refer to the proper ART part number shown above.

Unpainted/black plastic PART(S) will be automatically substituted if the Painted-to-match PART(S) ordered not available.

In addition to COST shown above, please enclose ...
 \$3.50 shipping/handling* if PART Order less than \$10.00 or
 \$5.00 shipping/handling* if PART Order \$10.00 and above.

*This is for PART Order only, not WARRANTY Order.
 NO C.O.D. shipping on parts, prepaid or Charge Card ONLY

DO NOT CONFUSE WITH
 'List of Parts included' that
 refers to quantity of above parts
included in each ART-7105 COVERED
 WAITING PLATFORM.

SERVICE:

Should your ARISTO-CRAFT TRAINS model railroad product require warranty service, be sure to take the following steps to assure proper servicing:

1. Return product in ORIGINAL BOX, if not possible to use original box, pack product carefully in corrugated cardboard box. FULLY INSURED and PREPAID. ARISTO-CRAFT TRAINS will not be responsible for any damage or loss incurred during shipping.
2. Include a brief but thorough explanation of the problem(s) and the servicing that may be required.
3. Be sure to include your name, street address, city, state (or province), country (if outside U.S.A.), and postal zipcode along with daytime phone number including Area Code, so that you may be contacted if it becomes necessary. All identification MUST be both - INSIDE package, enclosed in letter and - OUTSIDE package, on shipping container.

4. Include proper payment for shipping/handling -
 Locomotive or Multiple Train Set: \$25.00 US
 Accessories, 4'x14" track, individual freight cars, passenger railcars, or tender: \$15.00 US

CALL FOR CURRENT SHIPPING COSTS

- with check/Money Order payable in US dollars \$ to : Polk's Hobbies. Please DO NOT SEND CASH. If your item is out of warranty, you will be contacted with the proper amount of repair costs before repairs are started.
 *** C.O.D. shipping NOT included, additional cost.***

5. Ship your items(s) to:

ARISTO-CRAFT TRAINS PHONE: 973-351-9800
 698 SOUTH 21ST STREET FAX: 973-351-9700
 IRVINGTON, NJ 07111 EMAIL: aristo@mindspring.com
 www.aristocraft.com

Note: Immediate written confirmation of receipt of returned item(s) will be sent along with estimated repair time by ARISTO-CRAFT TRAINS Service/Repair department.