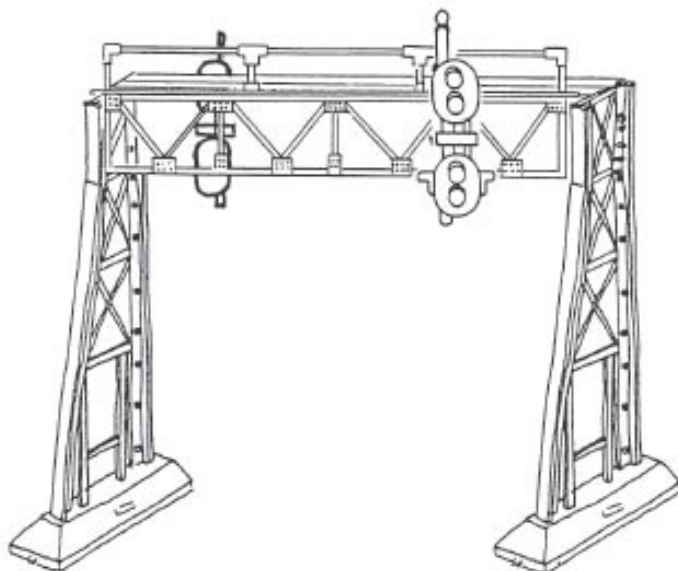


#1  
Gauge

# SIGNAL BRIDGE

ART-7110



INSTRUCTION MANUAL

ARISTO - CRAFT TRAINS

071495 rev.

## INTRODUCTION

Dear Model Railroader:

Should you have any questions about operations, proper usage, or maintenance required on this or any other ARISTO-CRAFT TRAINS #1 GAUGE 1/29th Scale Model Railroad product, please contact us at the following address:

ARISTO-CRAFT TRAINS	PHONE: 973-351-9800
698 SOUTH 21ST STREET	FAX: 973-351-9700
IRVINGTON, NJ 07111	EMAIL: aristo@mindspring.com
	www.aristocraft.com

Our phone lines are open from 10:00 AM to 5:00 PM (EASTERN STANDARD TIME) Monday through Friday

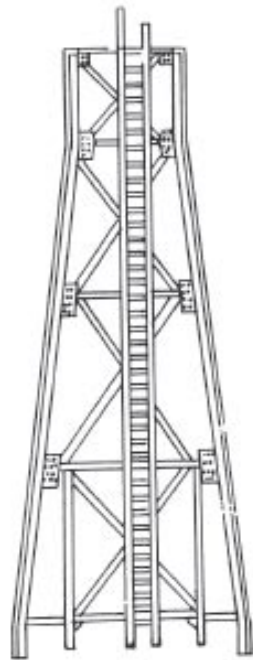
The following instructions are intended to help you understand and operate all the features built into this product.

Good Railroading!!!

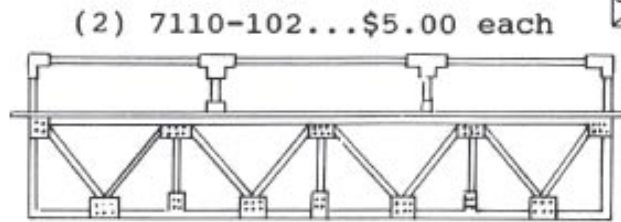
## ASSEMBLY INSTRUCTIONS

(1) Required before assembly Screwdriver and either liquid plastic cement or super glue.

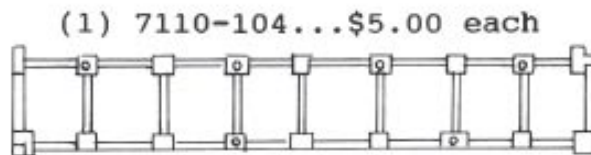
● Parts of signal bridge for assembly



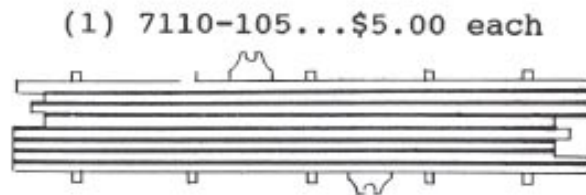
(2) 7110-101...  
\$5.00 each



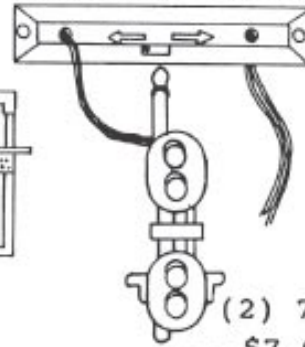
(2) 7110-102...\$5.00 each



(1) 7110-104...\$5.00 each

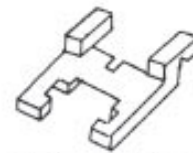


(1) 7110-105...\$5.00 each



(2) 7110-103...\$2.00 each

(2) 7110-107  
...\$7.00 each



(2) 7110-106  
...\$2.00 each

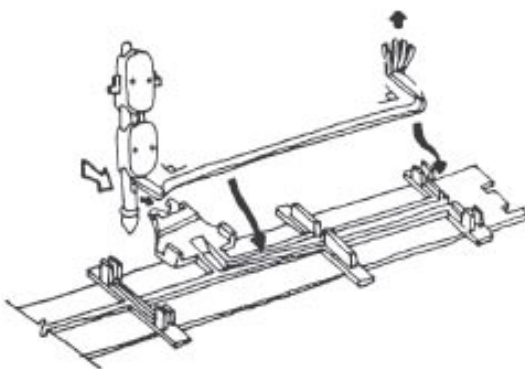
Additional parts available, contact ARISTO-CRAFT TRAINS  
Customer Service for complete part listing and availability.



φ2.6 (4) 7110-108...  
\$1.00 per 4

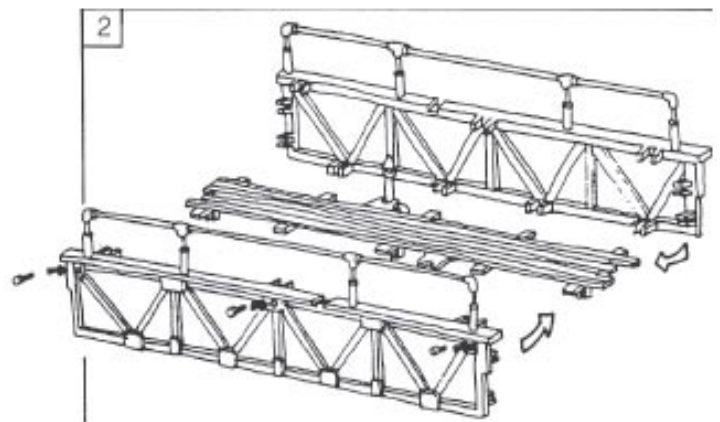
φ2.3 (38) 7110-109...  
\$1.00 per 4

Call for current prices, part numbers and availability



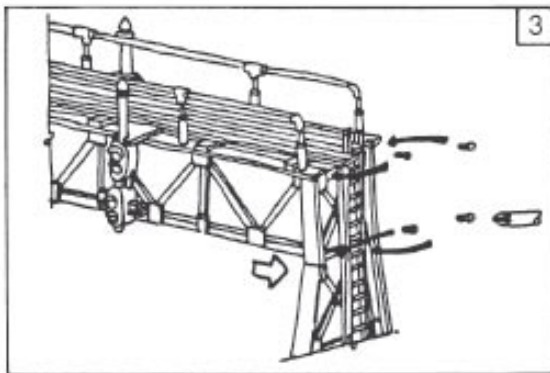
1

Lay the signal lamp assembled unit( 107) flatly on top of signal guide( 105). Insert the wire inside the wire grooves and apply some glue to wire.

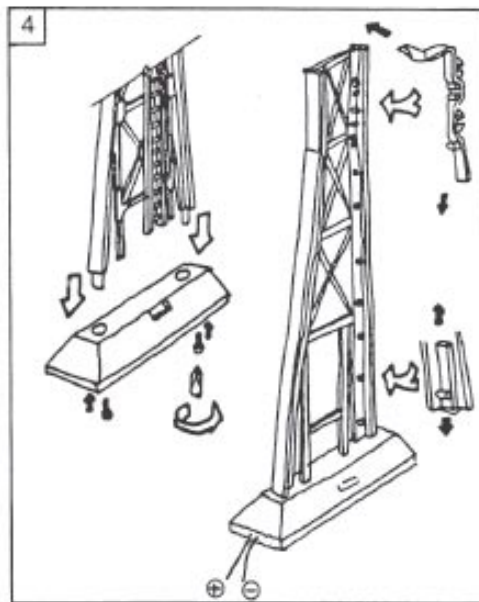


2

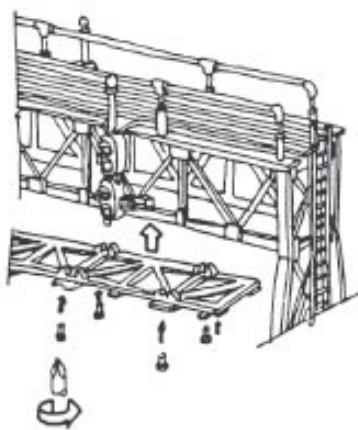
Place both 102 on the sides of 105 and fasten black screws.



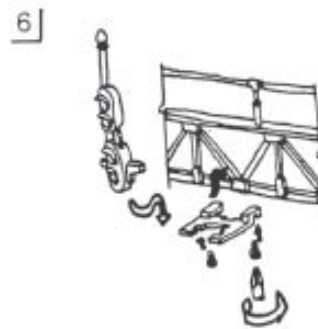
3  
Attach 101 at the end of 102/ 105 assembly and fasten black screws. Insert the wire inside the wire grooves and try to conceal the wire as best as you can. Apply some glue to fasten wire.



4  
Insert 101 into hole on 103. Check to see that the wire will be in the groove of protruded leg of 101. Make sure the light indicators (Red-Yellow-Green) are located on the outside. Fasten with the provided silver color screws. (This is the only place for using the silver stainless screws)



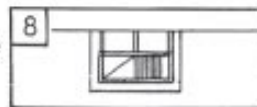
5  
Turn the whole assembly upside down and place 104 on top, then fasten with black screws.



6  
Snap the 106 into 102 then fasten with black screws. This concludes the assembly.

7. Connection  
Please connect Red wire to (+) A.C 15volts and Black wire to (-) A.C 15volts. (refer to fig 4 )

Final check  
Turn switch on and see if the Red-Yellow-Green lights up O.K.



#### Installation

Signal Bridge can be simply placed on any flat surface. However, if you desire to firmly attach the bridge, we have provided 4 screw holes on 103 so that you can use wood screws or nails(not provided) for more permanent installation.

**LIMITED WARRANTY**

Your new ARISTO-CRAFT TRAINS product is warranted for 180 days from DATE OF PURCHASE against defects in workmanship and/or materials. Proof of purchase MAY be required by ARISTO-CRAFT TRAINS.

This warranty is VOID and does not apply to any product and/or parts and components which have been improperly installed by purchaser/owner, abused or damaged in any way through improper operation such as train derailment, modified, or repaired by unauthorized service centers and/or non-factory authorized technicians.

**SERVICE:**

9. Should your ARISTO-CRAFT TRAINS model railroad product require warranty service, be sure to take the following steps to assure proper servicing.

9A. Return product with foam insert in ORIGINAL Black BOX, AND pack product carefully in (another) corrugated cardboard box, FULLY INSURED and PREPAID. ARISTO-CRAFT TRAINS will not be responsible for any damage or loss incurred during return for servicing.

9B. DO NOT SHIP PRODUCT ONLY in Black ARISTO-CRAFT TRAINS box with shipping label. This WILL NOT protect product during shipping and CUSTOMER is liable for damage to product.

9C. Include a brief but thorough explanation of the problem(s) and the servicing that may be required.

9D. Be sure to include your name, street address, city, state (or province), country (if outside U.S.A.), and postal zipcode along with daytime phone number, including Area Code, so that you may be contacted if it becomes necessary. All identification MUST be both - INSIDE package, contained in letter and - OUTSIDE package, on shipping container.

9E. Include proper payment for shipping/handling -

Locomotive or Complete Train Set .....	20.00 US
Accessories, switch-track individual freight cars, passenger railcars, tender, or Buildings .....	\$10.00 US

- with check (written on your USA Bank Account)/Money Order payable in US Dollars (\$) to: Polk's Hobbies. Please *DO NOT SEND CASH*. If your returned item is out of warranty, you will be contacted with proper amount of repair costs before repairs are started.

**\*\*\*C.O.D. shipping NOT included, additional cost.\*\*\***

9F. Ship your item(s) to:

ARISTO-CRAFT TRAINS	PHONE: 973-351-9800
698 SOUTH 21ST STREET	FAX: 973-351-9700
IRVINGTON, NJ 07111	EMAIL: aristo@mindspring.com
	www.aristocraft.com

9G. Immediate written confirmation of receipt of returned item(s) will be sent along with estimated repair time by ARISTO-CRAFT TRAINS Service/Repair Department.