



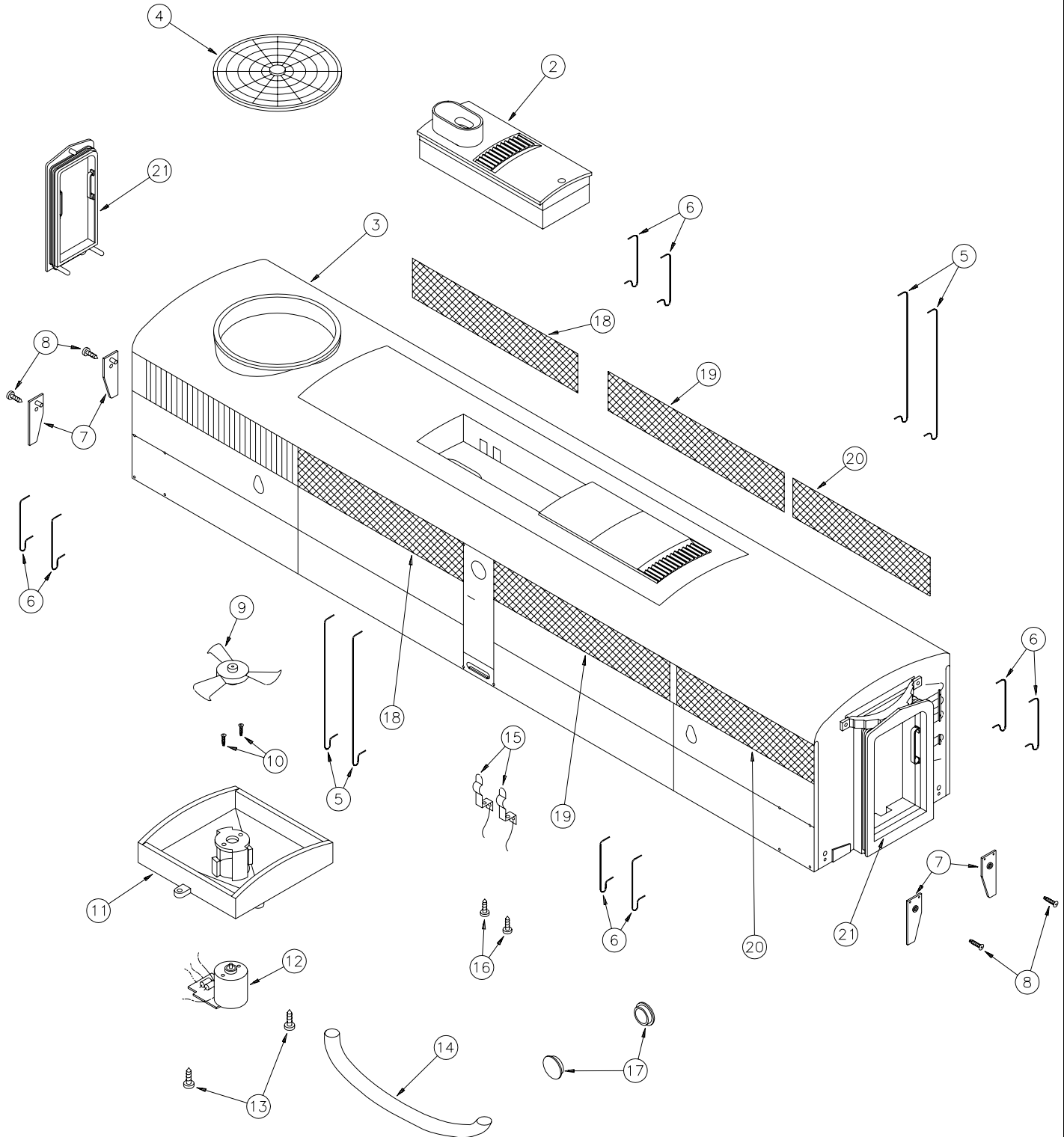
ART-22050 SERIES ALCO FB-1 DIESEL LOCOMOTIVE ASSEMBLY INSTRUCTIONS

#1 Gauge 1:29 SCALE

+

+

+

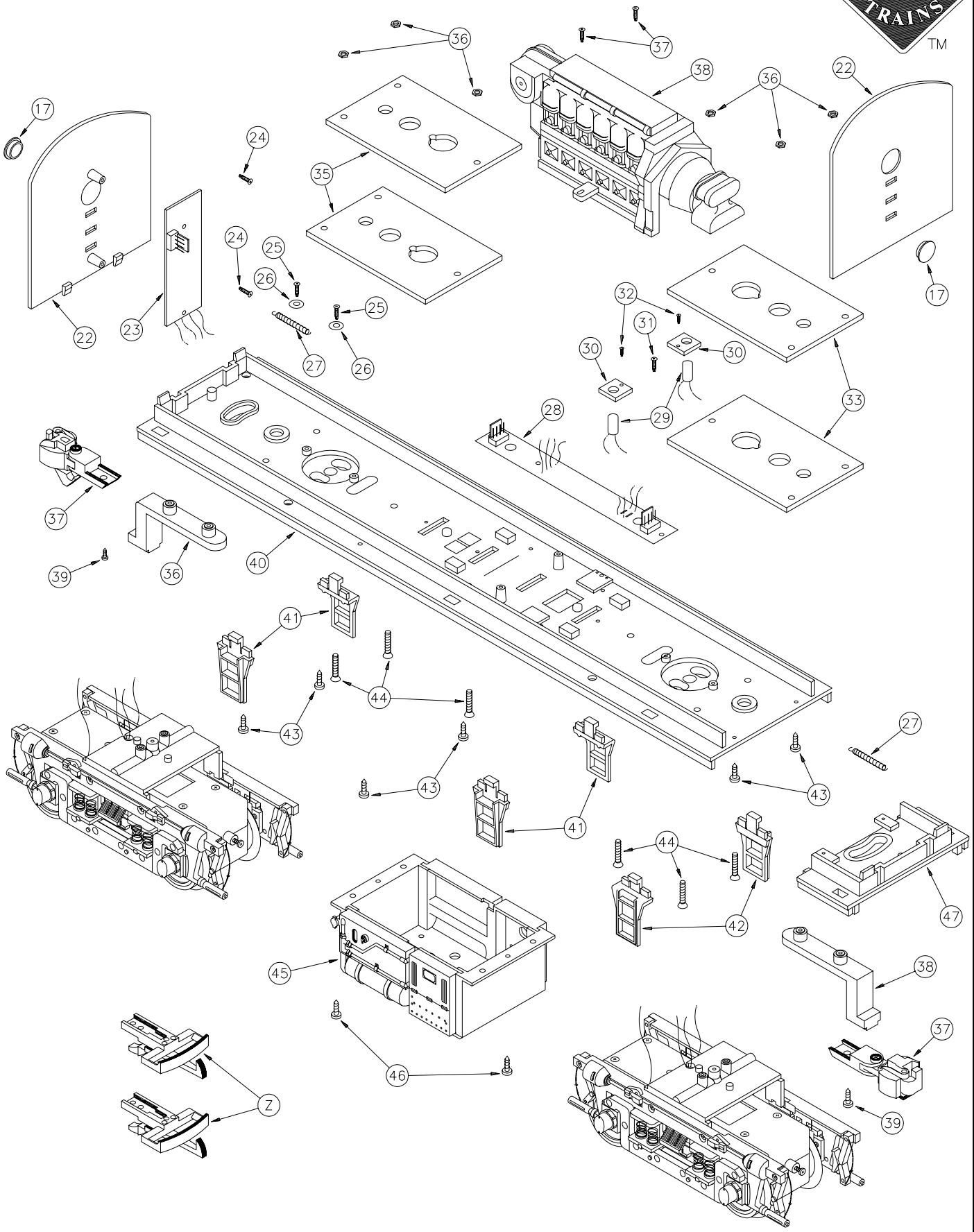


#1
Gauge

1:29
SCALE

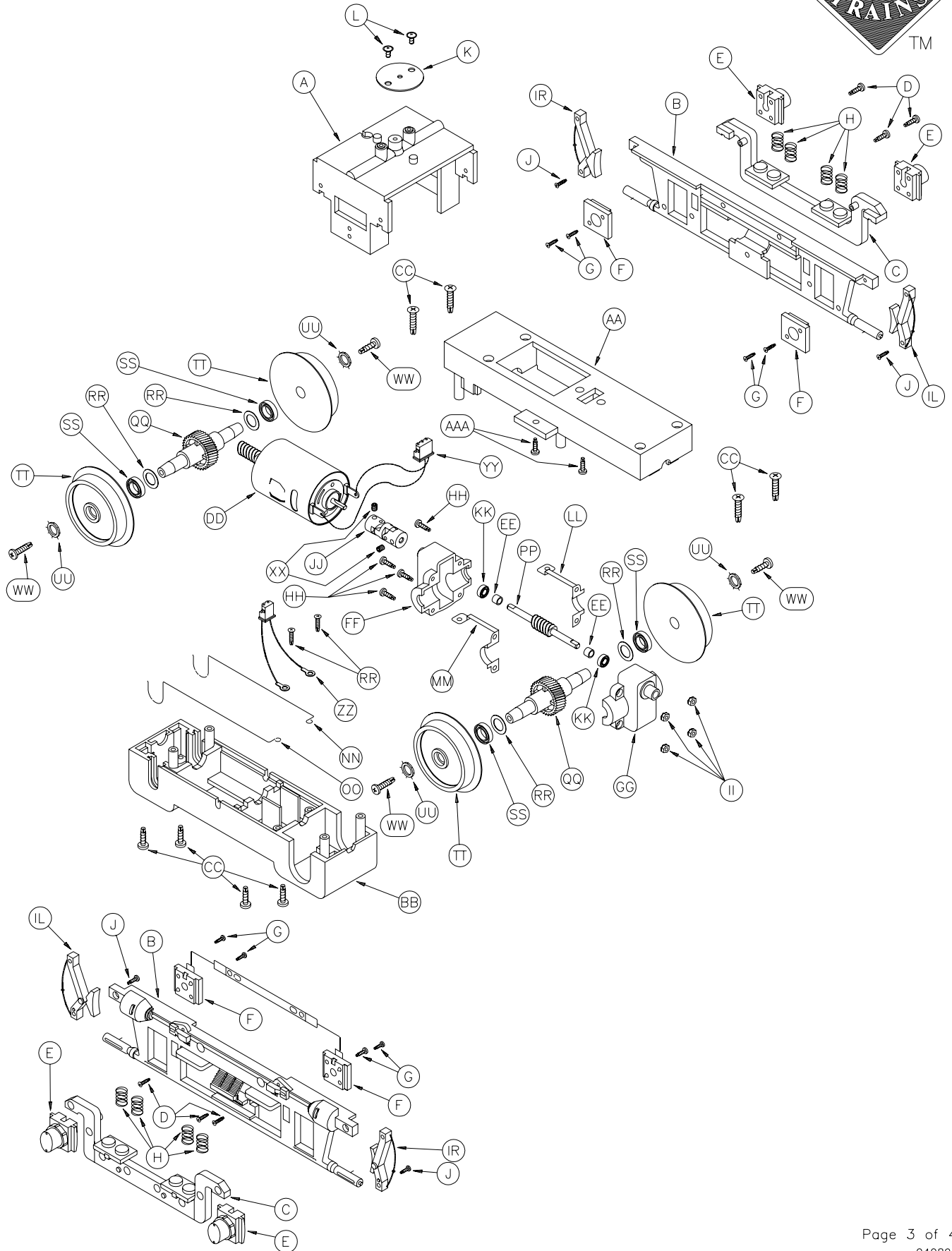
ART-22050 SERIES ALCO FB-1 DIESEL LOCOMOTIVE

EXPLODED PARTS DIAGRAM



ART-22050 SERIES ALCO FB-1 DIESEL LOCOMOTIVE

WITH IMPROVED DRIVE
EXPLODED PARTS DIAGRAM



ART-22050 SERIES ALCO FB-1 DIESEL LOCOMOTIVE

PARTS LIST-ORDER FORM



SPECIFY ROADNAME/ART#: _____ Insert Quantity

Part #	Description *	Price	Quantity Ordered
82100-01	Instruction Manual		
82100-02	Cab		
82100-03	Long Hood		
82100-04	Short Hood		
82100-05	Marker Lights		
82100-06	Horn		
82100-07	L.H. Battery Box		
82100-08	R.H. Battery Box		
82100-09L	L.H. Handrail Staunton		
82100-09R	R.H. Handrail Staunton		
82100-10	Long Hood Number Board		
82100-11	Number Board Retaining Screw		
82100-12	Small Ladder Iron		
82100-13	Large Ladder Iron		
82100-14	Grab Iron		
82100-15	Brake Wheel		
82100-16	Cab Retainer Bracket		
82100-17	Cab to Bracket Retainer Screw		
82100-18	Bracket to Chassis Retainer Screw		
82100-19	Cab and Long Hood Lighting Module		
82100-20	Cab Forward and Rear Windows		
82100-21	Cab Light Housing		
82100-22	Engineers Side Window		
82100-23	Fireman's Side Window		
82100-24	Cab Floor and Control Stand		
82100-25	Crew Seats		
82100-26	Crew Seat Screw		
ART-60001	Engineer		
82100-28	Short Hood Lighting Module		
82100-29	Chassis		
82100-30	Weight Stack		
82100-31	Weight Stack Retainer Screw		
82100-32	Washer		
82100-33	L.H. Skirt		
82100-34	R.H. Skirt		
82100-35	Control Module		
82100-36	Control Module Retainer Screw		
82100-37	Power On / Off Switch		
82100-38	On / Off Switch Retainer Screw		
82100-39	Front and Rear Pilot		
82100-40	Steps		
82100-41	Front and Rear Pilot and Step Mount		
82100-42	Pilot Retainer Screw		
82100-43	Pilot Mount Retainer Screw		
82100-44	Coupler Centering Spring		
82100-45	Coupler Centering Spring Screw		
ART-29201	Coupler RS-3 Lil' Critter Peculiar (pair)		
82100-47	Coupler Mounting Screw		
82100-48	Coupler Mounting Screw Washer		
82100-49	Front and Rear Crossover Plank		
82100-50	Front and Rear Crossover and MU Housing		
82100-51	Front and Rear Hand Rails		
82100-52	L.H. Long Hood Hand Rail		
82100-53	R.H. Long Hood Hand Rail		
82100-54	L.H. Short Hood Hand Rail		
82100-55	R.H. Short Hood Hand Rail		
82100-56	Battery Box Retainer Screw		
82100-57	Long Hood Retainer Screw		
82100-58	Cab Retainer Screw		
82100-59	Short Hood Retainer Screw		
29351-01	"A" Frame		
22500-87	Main Side Frame		
22500-84	Lower Side Frame		
22500-83	Sideframe Mounting Screws		
22500-82	Journal Box		
22500-03	Journal Box Rear Mount		
22500-06	Journal Box Rear Retaining Screw		
ART-29114	Spring		
22500-86R	Right Brake Shoe		
22500-86L	Left Brake Shoe		
22500-05	Brake Shoe Retaining Screw		
22500-05	"A" Frame Retainer Plate		
22500-05	"A" Frame Retainer Plate Screws		
29351-02	Mounting Screws		
29351-03	Motor Block Upper Case		
29351-04	Motor Block Lower Case		
29351-05	Motor Block Retaining Screws		
ART-29408	Motor with Worm		
29351-07	Bushing for Worm Shaft		
29351-08	Gear Case - Rear Half		
29351-09	Gear Case - Front Half		
29351-10	Gear Case Retaining Screws		
29351-11	Gear Case Retaining Nuts		
ART-29353	Universal		
ART-29469	Thrust Ball Bearings for Worm Shaft (2 pcs)		
29351-13	Power Pick Up - Front Right		
29351-14	Power Pick Up - Front Left		
29351-15	Power Pick Up - Rear Right		
29351-16	Power Pick Up - Rear Left		
29351-17	Worm and Shaft for Gear Case		
29351-18	Geared Axle		

Part #	Description *	Price	Quantity Ordered
29351-19	Washer for Axle		
ART-29410	Ball Bearing for Axle (4 pcs)		
29351-20	Wheel		
29351-21	Star Washer		
29351-22	Screws for Power Pick Ups		
29351-23	Wheel Retaining Screw		
29351-24	Allen Screws for Universal		
29351-25	Modular Plug and Leads for Motor		
29351-26	Modular Plug and Leads for Power Pick Ups		
29101-99	Plastic Loop/Hook Couplers (2 pcs.)		
31000-99	Parts List-Order Form		

*one piece unless otherwise noted

RETURN THIS FORM WITH YOUR ORDER
A REPLACEMENT FORM WILL BE SENT WITH YOUR ORDER

NOTE: When ordering replacement parts or repair request, please refer to proper 5 or 7 digit number listed.

XX refers to last two digits of roadname ART freight car number when part is painted to match, i.e. ART-22029 WESTERN MARYLAND. 22029-03 would then refer to BODY SHELL for WESTERN MARYLAND ALCO FB-1 DIESEL LOCOMOTIVE ART-22029. If part is same FOR ALL ALCO FB-1 DIESEL LOCOMOTIVES, 22050-plus 2 digit number would be used to denote specific part, i.e. 22050-42 CHASSIS. When part is same FOR ALL ALCO FB-1 DIESEL LOCOMOTIVES and OTHER FREIGHT CARS 29200 (or other #-plus 2 digit number) would be used to denote specific part regardless of roadname/car type. Please specify roadname/ART# on line above part# list.

Unpainted/painted part(s) will be substituted if the painted to match part(s) ordered are not available.

In addition to Price Each shown please enclose...
\$5.00 shipping/handling if part order is less than \$10.00 or
\$10.00 shipping/handling if part order is \$10.00 or more.
This is for part order only. Not WARRANTY order.

Include proper payment for parts plus shipping/handling with your (USA Bank Account Only) check/money order payable in US Dollars (\$) to: Polk's Hobbies. Please DO NOT SEND CASH. Sorry no C.O.D.'s for parts.

New Jersey residents add 6% NJ State Sales Tax.

Be Sure to include your name, street address (no Post Office Box please), city, state (or province), country (if outside USA), and postal zip code, along with daytime phone number including Area Code, so that you may be contacted if necessary.

Mail order form and payment to:

ARISTO-CRAFT TRAINS/Polk's Modelcraft Hobbies, Inc.
698 South 21st Street
Irvington, NJ 07111-4109 USA

Allow 4-6 weeks for processing and delivery.

PLEASE PRINT CLEARLY

NAME: _____

ADDRESS _____

CITY: _____ STATE: _____ ZIP _____

PHONE: (____) - ____ - _____