

ART-22100 SERIES G.E. U25-B DIESEL LOCOMOTIVE ASSEMBLY INSTRUCTIONS

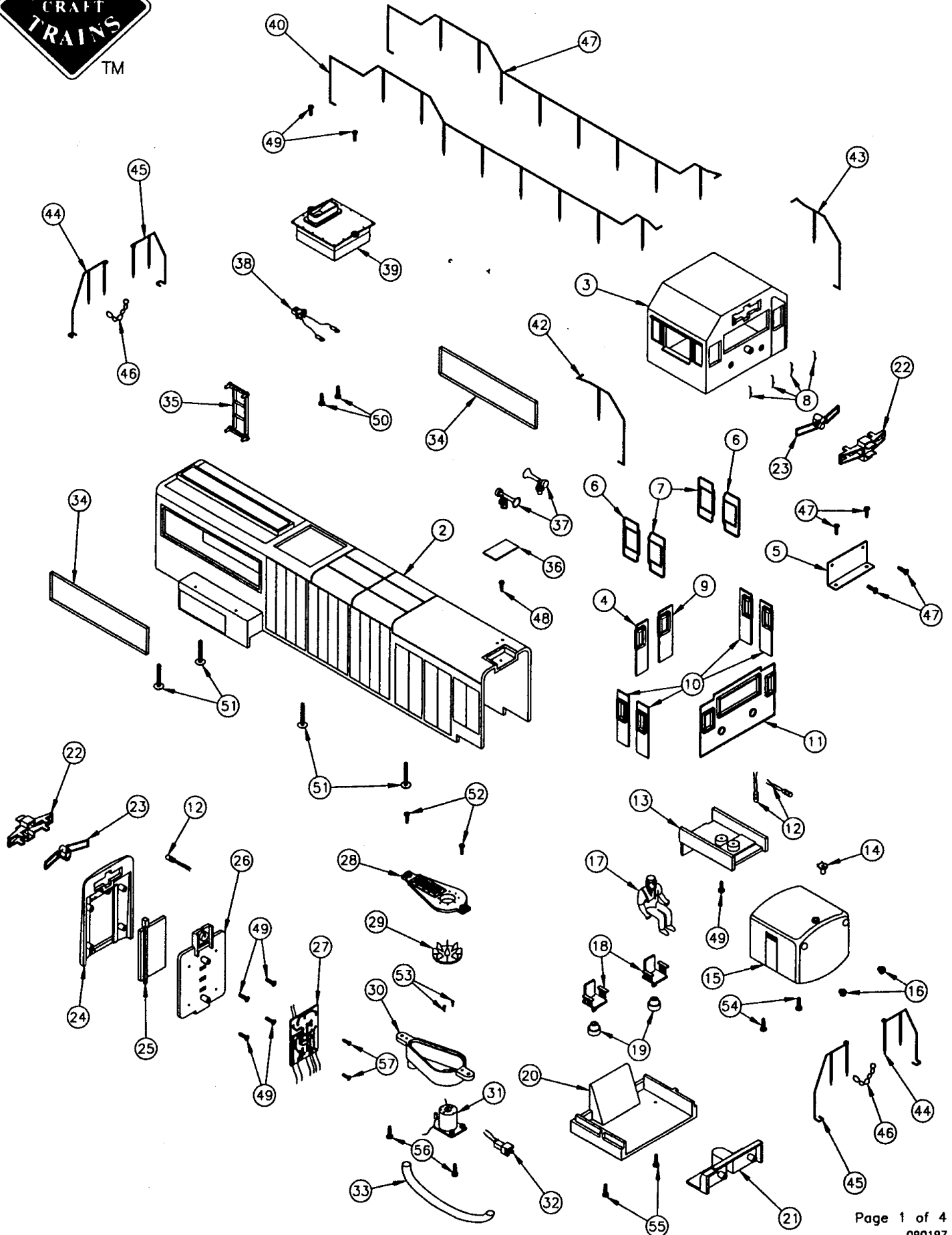
1 Gauge
1:29 Scale



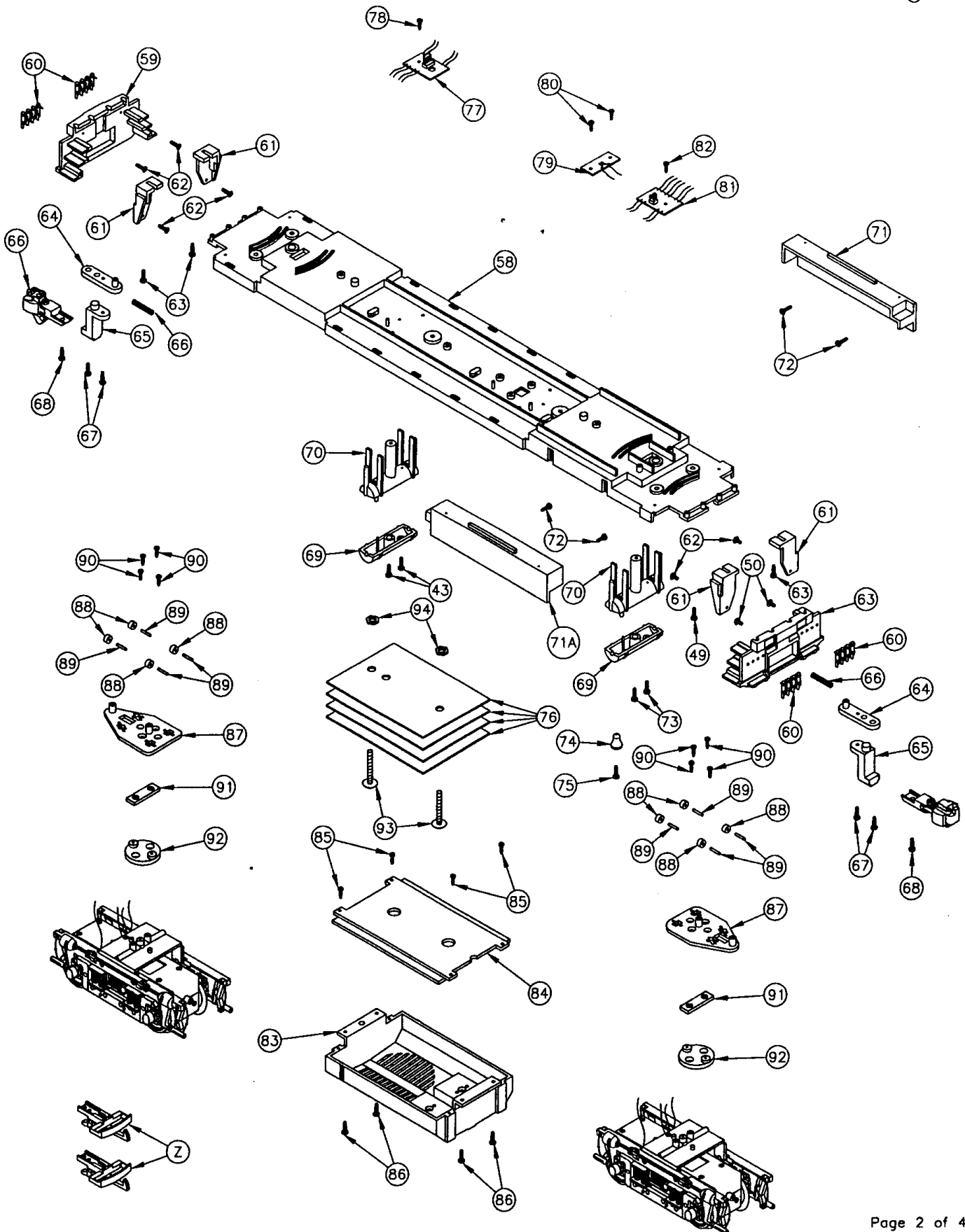
+

+

+

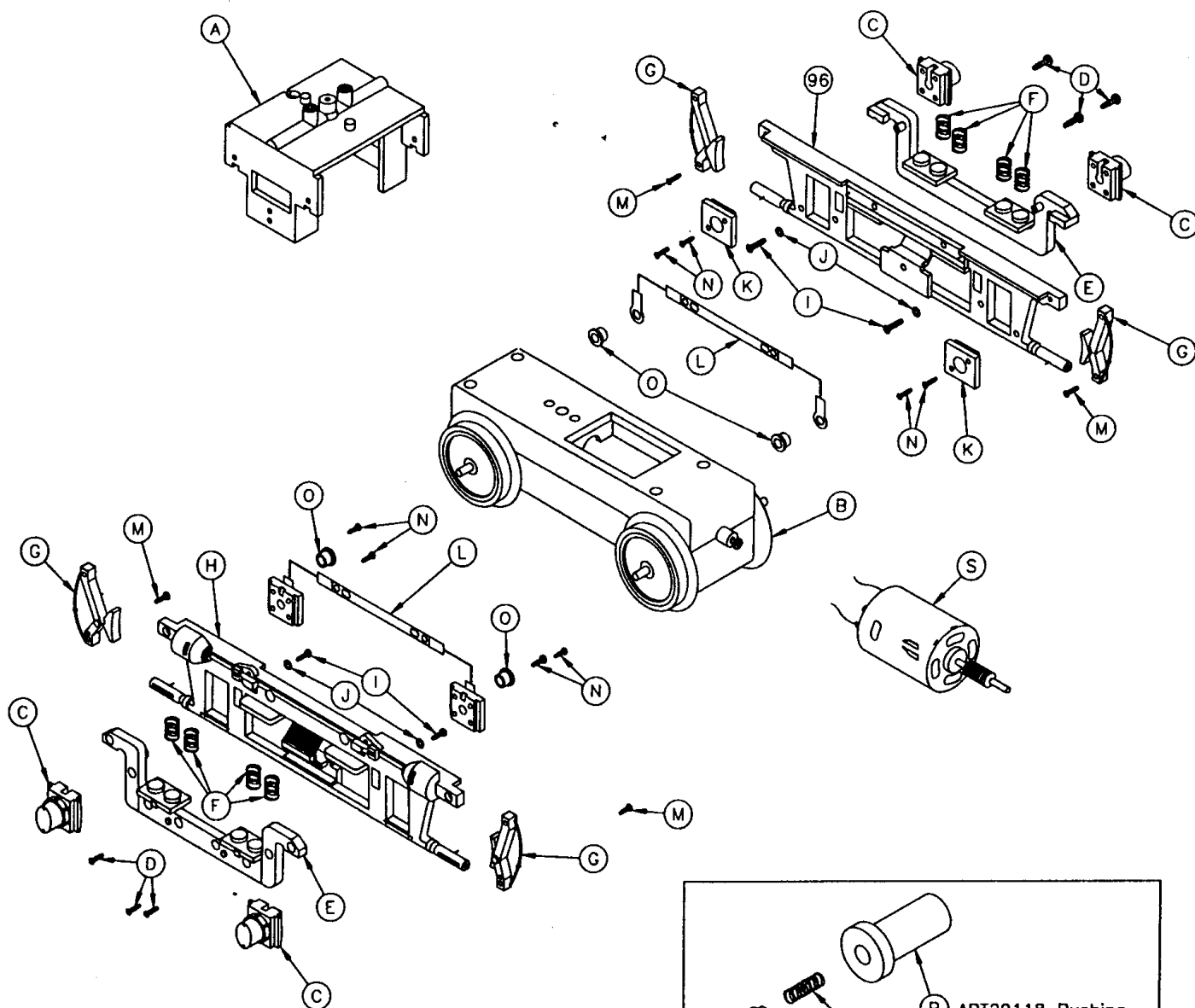


ART-22100 SERIES G.E. U25-B DIESEL LOCOMOTIVE ASSEMBLY INSTRUCTIONS





TM



ART29408 Brush
ART29409 Spring
ART29118 Bushing

ATTENTION CUSTOMERS

When Ordering Spare Parts For Side Frames. Please Verify That The Side Frame You Are Ordering Against Is Either Previous or Modern. If You Wish To Upgrade, Be Sure to Order Items C and K In Addition To Items P, Q, and R.

ART-22100 SERIES G.E. U25-B DIESEL LOCOMOTIVE

PARTS LIST-ORDER FORM



SPECIFY ROADNAME/ART#: _____ Insert Quantity

Part #	Description *	Price	Quantity Ordered
22100-01	Instruction Manual	\$ 1.00	
22100-02	Long Hood	25.00	
22100-03	Cab	15.00	
22100-04	R.H. Rear Cab Window	1.00	
22100-05	Cab Hold Down Bracket	1.50	
22100-06	Sliding Window Half A	1.00	
22100-07	Sliding Window Half B	1.00	
22100-08	Windshield Wiper	1.00	
22100-09	L.H. Rear Cab Window	1.00	
22100-10	Cab Side Non Sliding Window	1.00	
22100-11	Cab Windshield and Front Windows	2.50	
22100-12	Headlight Bulbs	1.50	
ART29309	Cab Interior Light Panel	1.50	
22100-14	Water Tank Cap	.50	
22100-15	Short Hood	5.00	
22100-16	Ditch Light Lens	.50	
22100-17	Engineer	3.50	
22100-18	Crew Seat	2.50	
22100-19	Crew Seat Stand	1.00	
22100-20	Cab Floor	2.50	
22100-21	Control Panel	2.50	
22100-22	Headlight and Number Board Mount	2.50	
22100-23	Number Board	2.00	
22100-24	Long Hood End	3.00	
22100-25	Long Hood End Door	2.00	
22100-26	Control Switch Module Mount	3.50	
22100-27	Control Switch Module	8.00	
22100-28	Impeller Cover	1.00	
22100-29	Impeller	1.00	
22100-30	Impeller Housing	3.00	
22100-31	Impeller Motor	5.00	
22100-32	Impeller Motor Wire Harness	2.00	
22100-33	Impeller to Smoke Unit Air Hose	1.00	
22100-34	Long Hood Air Intake Screen	2.50	
22100-35	Long Hood Side Ladder	2.00	
22100-36	Long Hood Forward Mount Screw Cover	1.00	
22100-37	Horn	1.00	
22100-38	Smoke Unit Wire Harness	1.50	
ART29308	Smoke Unit	16.95	
22100-40	R.H. Long Hand Rail	5.00	
22100-41	L.H. Long Hand Rail	5.00	
22100-42	R.H. Short Hand Rail	2.50	
22100-43	L.H. Short Hand Rail	2.50	
22100-44	Front or Rear "A" Hand Rail	2.00	
22100-45	Front or Rear "B" Hand Rail	2.00	
22100-46	Front or Rear Hand Rail Chain	1.00	
22100-47	Cab Hold Down Bracket Screw	.25	
22100-48	Long Hood Forward Mount Screw	.25	
22100-49	Control Switch Module Mount Screw	.25	
22100-50	Smoke Unit and Wire Harness Mounting Screw	.25	
22100-51	Long Hood Mounting Screw	.25	
22100-52	Impeller Housing Mount Screw	.25	
22100-53	Impeller Cover Screw	.25	
22100-54	Short Hood Mounting Screw	.25	
22100-55	Crew Seat Mount Screw	.25	
22100-56	Impeller Motor Mount Screw	.25	
22100-57	Control Switch Module Mount Screw	.25	
22100-58	Chassis	25.00	
22100-59	Front and Rear Pilot	5.00	
22100-60	Air Hose	1.00	
22100-61	Pilot Mount	2.50	
22100-62	Pilot Mount Screw	.25	
22100-63	Pilot Mount Mounting Screw	.25	
22100-64	Coupler Swing Bar	1.00	
22100-65	Coupler Mount	1.00	
22100-66	Coupler Centering Spring	1.00	
22100-67	Coupler Swing Bar & Coupler Mount Mounting Screw	.25	
22100-68	Coupler Mounting Screw	.25	
22100-69	Air Tank Lower Half	1.00	
22100-70	Air Tank Upper Half	1.00	
22100-71	L.H. Battery Box	3.00	
22100-71A	R.H. Battery Box	3.00	
22100-72	Battery Box Mounting Screw	.25	
22100-73	Air Tank Mounting Screw	.25	
22100-74	Bell	1.00	
22100-75	Bell Mounting Screw	.25	
22100-76	Weight Stack	7.00	
22100-77	Rear Circuit Board	8.00	
22100-78	Rear Circuit Board Retaining Screw	.25	
22100-79	Mid Circuit Board	5.00	
22100-80	Mid Circuit Board Mounting Screw	.25	
22100-81	Forward Circuit Board	8.00	
22100-82	Forward Circuit Board Mounting Screw	.25	
22100-83	Fuel Tank	9.00	
22100-84	Fuel Tank Cover	2.00	
22100-85	Fuel Tank Cover Retaining Screw	.25	
22100-86	Fuel Tank Mounting Screw	.25	
22100-87	Power Truck Eccentric Bolster	3.00	

*one piece unless otherwise noted

Part #	Description *	Price	Quantity
22100-88	Eccentric Bolster Roller	\$ 1.00	
22100-89	Eccentric Bolster Roller Pin	.50	
22100-90	Eccentric Bolster Mounting Screw	.25	
22100-91	"A" Frame to Bolster Adapter Lock	1.00	
22100-92	"A" Frame to Bolster Adapter	3.00	
22100-93	Weight Stack Retaining Screw	.25	
22100-94	Weight Stack Retaining Nut	.25	
22100-80	"A" Frame	2.00	
ART29351	Motor Block	64.95	
22100-82	Journgl Box	2.00	
22100-83	Side Frame Mount Screw	.25	
22100-84	Lower Side Frame	2.00	
ART29114	Spring	3.98	
22100-86	Brake Shoes	1.00	
22100-87	Main Side Frame	2.00	
22100-01	Lower Side Frame Screw	\$.25	
22100-02	Lower Side Frame Retaining Washer	.25	
22100-03	Bushing Mount	2.00	
22100-04	Power Pickup Bus	2.00	
22100-05	Brake Shoe Retaining Screw	.25	
22100-06	Bushing Mount Retaining Screw	.25	
ART29118P	Brass Bushing Previous	5.95	
ART29118	Brass Bushing	5.95	
ART29408	Bushing Brush	4.95	
ART29409	Brush Spring	4.95	
ART29357	Motor	15.00	
29101-99	Plastic Loop/Hook Couplers (2 pcs.)	No Charge	
31000-99	Parts List-Order Form	No Charge	

*one piece unless otherwise noted

RETURN THIS FORM WITH YOUR ORDER
A REPLACEMENT FORM WILL BE SENT WITH YOUR ORDER

NOTE: When ordering replacement parts or repair request, please refer to proper 5 or 7 digit number listed.

XX refers to last two digits of roadname ART freight car number when part is painted to match, i.e. ART-22116 WESTERN PACIFIC. 22116-03 would then refer to the CAB for WESTERN PACIFIC G.E. U25-B DIESEL LOCOMOTIVE ART-22116. If part is same FOR ALL G.E. U25-B DIESEL LOCOMOTIVES, 22100-plus 2 digit number would be used to denote specific part, i.e. 22100-58 CHASSIS. When part is same FOR ALL DIESEL LOCOMOTIVES and OTHER FREIGHT CARS 29200 (or other #-plus 2 digit number) would be used to denote specific part regardless of roadname/car type. Please specify roadname/ART# on line above part# list. Unpainted/painted part(s) will be substituted if the painted to match part(s) ordered are not available.

In addition to Price Each shown please enclose...
\$3.50 shipping/handling if part order is less than \$10.00 or
\$5.00 shipping/handling if part order is \$10.00 or more.
This is for part order only. Not WARRANTY order.

Include proper payment for parts plus shipping/handling with your (USA Bank Account Only) check/money order payable in US Dollars (\$) to: Polk's Hobbies. Please DO NOT SEND CASH. Sorry no C.O.D.'s for parts.

New Jersey residents add 6% NJ State Sales Tax.

Be Sure to include your name, street address (no Post Office Box please), city, state (or province), country (if outside USA), and postal zip code, along with daytime phone number including Area Code, so that you may be contacted if necessary.

Mail order form and payment to:

ARISTO-CRAFT TRAINS/Polk's Modelcraft Hobbies, Inc.
346 Bergen Avenue
Jersey City, NJ 07304 USA

Allow 4-6 weeks for processing and delivery.

PLEASE PRINT CLEARLY

NAME: _____

ADDRESS: _____

CITY: _____ STATE: _____ ZIP: _____

PHONE: (_____) - _____ Page 4 of 4