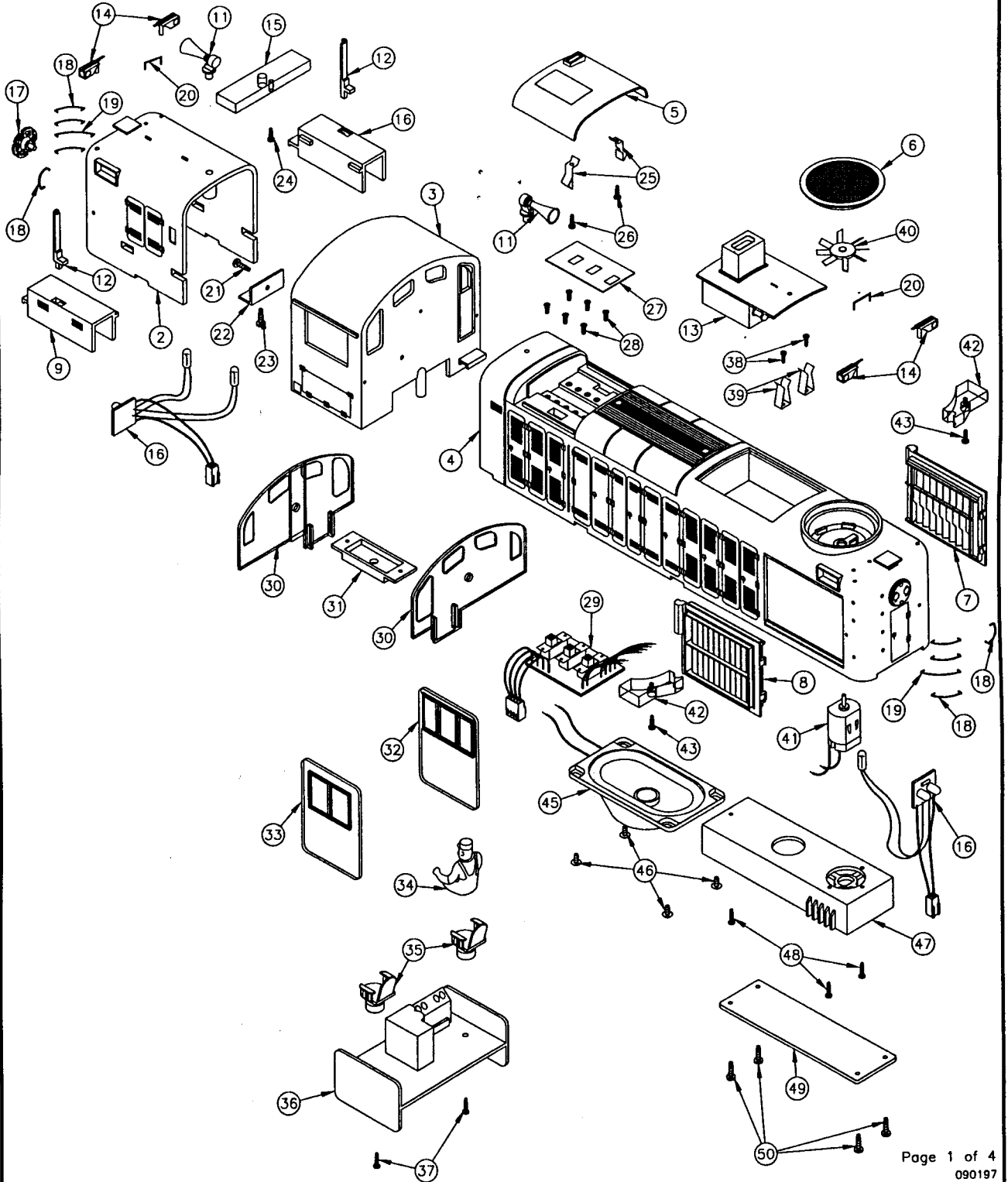




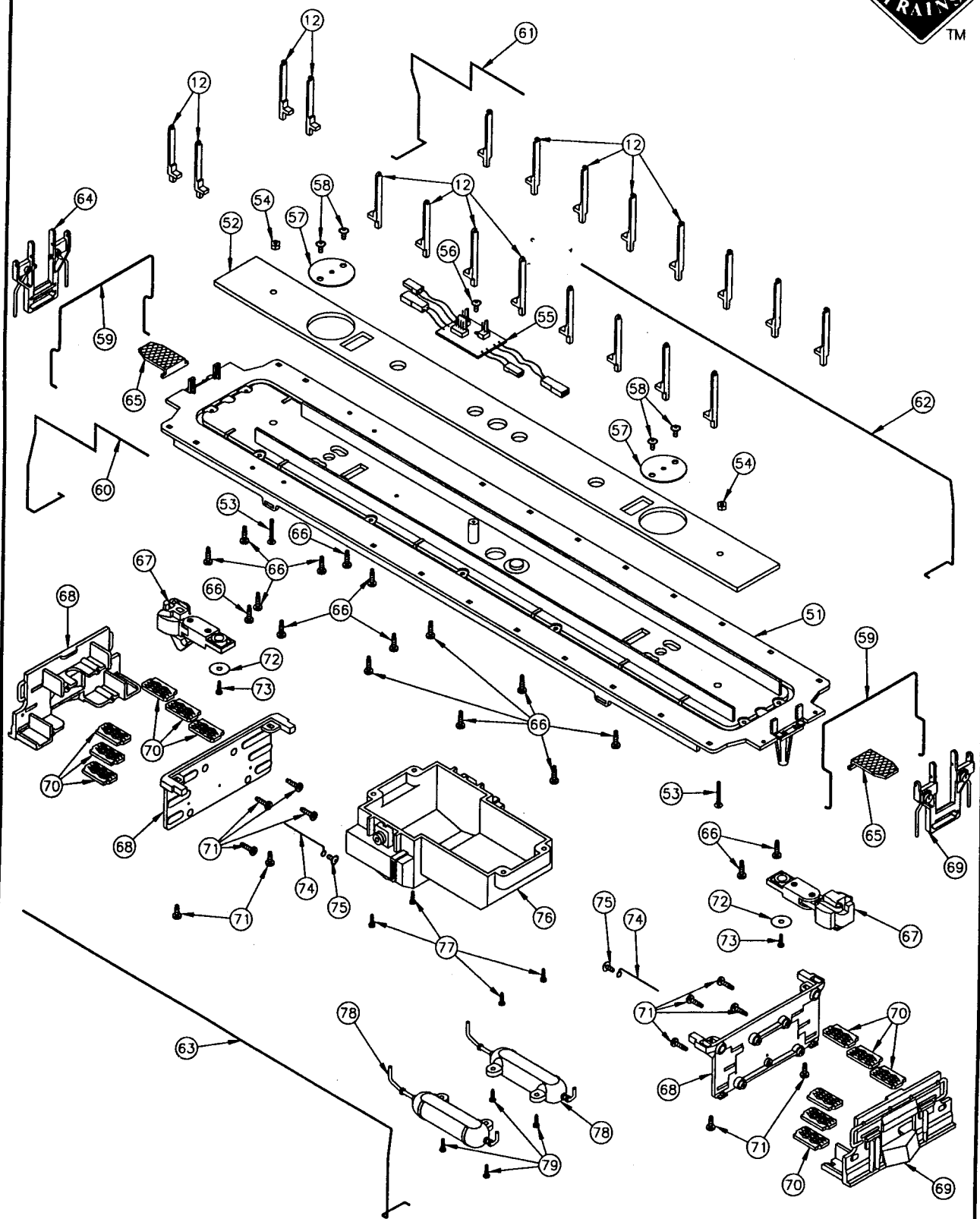
ART-22200 SERIES ALCO RS-3 DIESEL LOCOMOTIVE ASSEMBLY INSTRUCTIONS

#1 Gauge 1:29 SCALE



1 Gauge 1:29 SCALE

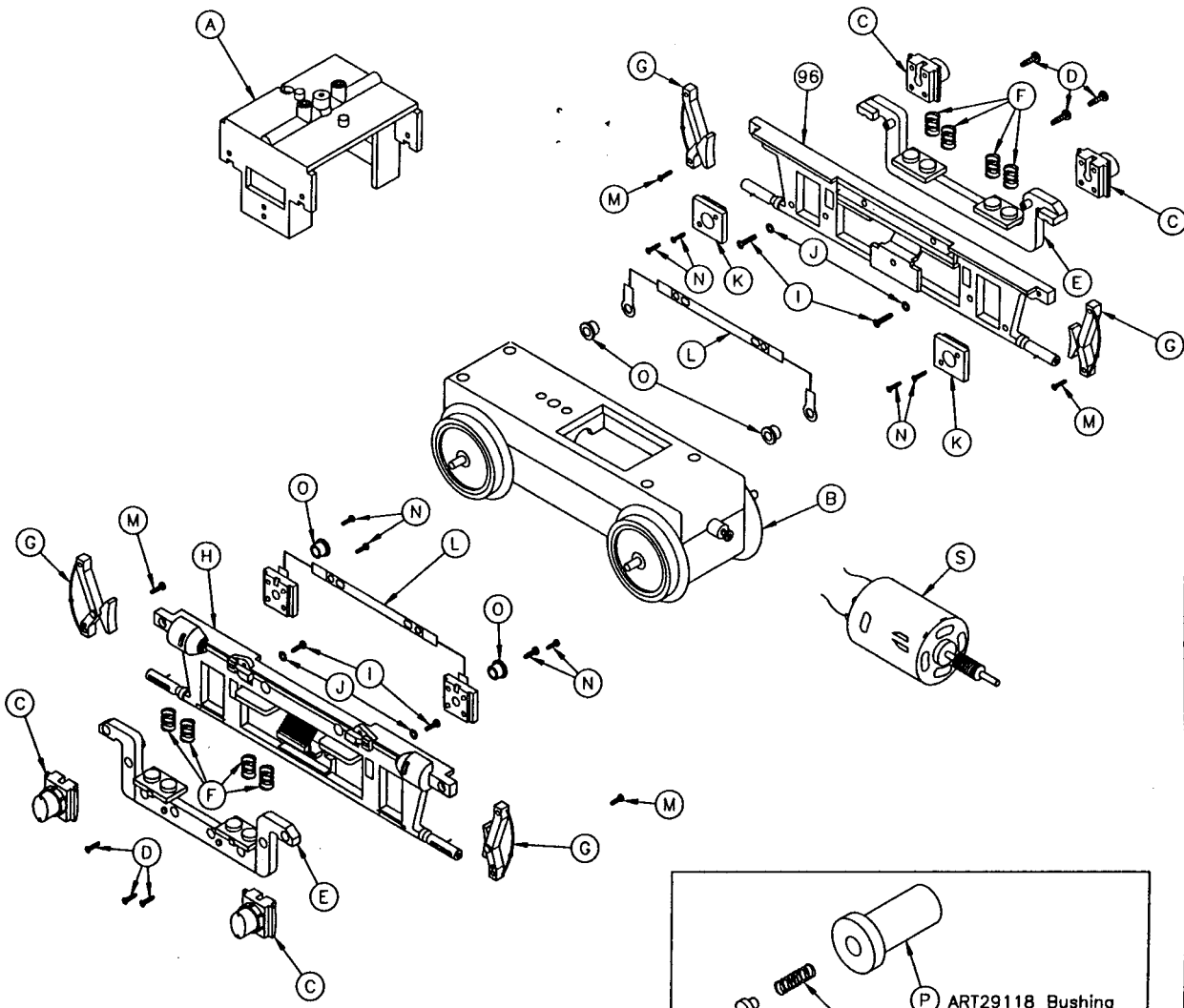
ART-22200 SÉRIES ALCO RS-3 DIESEL LOCOMOTIVE ASSEMBLY INSTRUCTIONS





1:29
Gauge SCALE

ART-22200 SERIES ALCO RS-3 DIESEL LOCOMOTIVE ASSEMBLY INSTRUCTIONS



ART29408 Brush
ART29409 Spring
ART29118 Bushing

ATTENTION CUSTOMERS

When Ordering Spare Parts for Side Frames. Please Verify That The Side Frame You Are Ordering Against Is Either Previous or Modern. If You Wish To Upgrade, Be Sure to Order Items C and K In Addition To Items P, Q, and R.

#1 | 1:29
Gauge | **SCALE**

ART-22200 SERIES ALCO RS-3 DIESEL LOCOMOTIVE

PARTS LIST-ORDER FORM



SPECIFY ROADNAME/ART#: _____ Insert Quantity

Part #	Description *	Price	Quantity Ordered
22200-01	Instruction Manual	\$ 1.00	
22200-02	Short Hood	5.00	
22200-03	Cab	10.00	
22200-04	Long Hood	15.00	
22200-05	Switch Cover	3.50	
22200-06	Fan Cover	2.50	
22200-07	L.H. Movable Louver	5.00	
22200-08	R.H. Movable Louver	5.00	
22200-09	R.H. Battery Box	2.00	
22200-10	L.H. Battery Box	2.00	
22200-11	Horn	1.00	
22200-12	Hand Rail Stanchions	1.00	
ART29309	Smoke Unit	16.95	
22200-14	Marker Lights	2.00	
22200-15	Short Hood Number Board	1.50	
22200-16	Short Hood Module	15.00	
22200-17	Brake Wheel	1.00	
22200-18	Small Ladder Iron	.50	
22200-19	Large Ladder Iron	.60	
22200-20	Grab Iron	.50	
ART29300	Cab Retainer Screw	.25	
22200-22	Cab Retainer Bracket	1.00	
22200-23	Cab Retainer Bracket Screw	.25	
22200-24	Number Board Retainer Screw	.25	
22200-25	Switch Cover Retainer Clip	1.00	
22200-26	Switch Cover Retainer Clip Screw	.25	
22200-27	Switch Placard	2.50	
22200-28	Switch Module Retaining Screw	.25	
22200-29	Switch Module	10.00	
22200-30	Cab Light Housing	2.00	
22200-31	Cab, Forward and Rear Windows	2.00	
22200-32	Engineer Side Window	2.00	
22200-33	Fireman's Side Window	2.00	
22200-34	Engineer	3.50	
ART29700	Crew Seats	2.50	
22200-36	Cab Floor and Control Stand	5.00	
22200-37	Cab Floor and Control Stand Screw	.25	
ART29701	Smoke Unit Retainer Clip Screw	.25	
ART29701	Smoke Unit Retainer Clip	1.00	
22200-40	Fan	1.00	
ART29701	Fan Motor	2.50	
22200-42	Long Hood Number Board	2.50	
22200-43	Long Hood Number Board Screw	.25	
22200-44	Long Hood Module	12.50	
22200-45	Speaker	4.50	
22200-46	Speaker Retainer Screw	.25	
22200-47	Fan Motor Box	.25	
22200-48	Fan Motor Box Screw	1.00	
22200-49	Fan Motor Box Cover	1.00	
22200-50	Fan Motor Box Cover Screw	1.00	
22200-51	Chassis	25.00	
22200-52	Chassis Weight Stack	5.50	
22200-53	Chassis Weight Stack Retainer Screw	.25	
22200-54	Chassis Weight Stack Retainer Nut	.25	
22200-55	Circuit Board	30.00	
22200-56	Circuit Board Screw	.25	
22200-57	"A" Frame Retainer	2.50	
22200-58	"A" Frame Retainer Screw	.25	
22200-59	Front and Back Hand Rails	2.50	
22200-60	R.H. Short Hood Hand Rail	2.50	
22200-61	L.H. Short Hood Hand Rail	2.50	
22200-62	L.H. Long Hood Hand Rail	5.50	
22200-63	R.H. Long Hood Hand Rail	5.50	
22200-64	Front and Rear Crossover and MU Housing	3.50	
22200-65	Front and Rear Crossover Plank	1.00	
22200-66	Short and Long Hood, Cab Retainer Screw	.25	
ART29201	Knuckle Coupler, RS3 Peculiar	7.95	
22200-68	Front and Back Step and Pilot Mount	4.50	
22200-69	Front and Back Pilot	5.00	
22200-70	Front and Back Steps	1.00	
22200-71	Front and Back Pilot Screw	.25	
22200-72	Coupler Mount Washer	.25	
22200-73	Coupler Mount Screw	.25	
22200-74	Coupler Centering Screw	1.00	
22200-75	Coupler Centering Spring Screw	.25	
22200-76	Fuel Tank	8.50	
22200-77	Fuel Tank Mounting Screw	.25	
22200-78	Air Tank	3.50	
22200-79	Air Tank Mounting Screw	.25	
22200-80	"A" Frame	2.00	
ART29351	Motor Block	64.95	
22200-82	Journal Box	2.00	
22200-83	Side Frame Mount Screw	.25	
22200-84	Lower Side Frame	2.00	
ART29114	Spring	3.98	
22200-86	Brake Shoes	1.00	
22200-87	Main Side Frame	2.00	

* one piece unless otherwise noted

Part #	Description *	Price	Quantity
22200-01	Lower Side Frame Screw	\$.25	
22200-02	Lower Side Frame Retaining Washer	.25	
22200-03	Bushing Mount	2.00	
22200-04	Power Pickup Bus	2.00	
22200-05	Brake Shoe Retaining Screw	.25	
22200-06	Bushing Mount Retaining Screw	.25	
ART29118P	Brass Bushing Previous	5.95	
ART29118	Brass Bushing	5.95	
ART29408	Bushing Brush	4.95	
ART29409	Brush Spring	4.95	
ART29357	Motor	15.00	
29101-99	Plastic Loop/Hook Couplers (2 pcs.)	No Charge	
22200-99	Parts List-Order Form	No Charge	

* one piece unless otherwise noted

RETURN THIS FORM WITH YOUR ORDER
 A REPLACEMENT FORM WILL BE SENT WITH YOUR ORDER

NOTE: When ordering replacement parts or repair request, please refer to proper 5 or 7 digit number listed.

XX refers to last two digits of roadname ART freight car number when part is painted to match, i.e. ART-22219 NEW YORK CENTRAL. 22219-03 would then refer to the CAB for NEW YORK CENTRAL RS-3 DIESEL LOCOMOTIVE ART-22219. If part is same FOR ALL RS-3 DIESEL LOCOMOTIVES, 22200-plus 2 digit number would then be used to denote specific part, i.e. 22200-51 CHASSIS. When part is same FOR ALL DIESEL CARS and OTHER FREIGHT CARS, 29200 (or other #-plus 2 digit number) would be used to denote specific part regardless of roadname/car type. Please specify roadname/ART# on line above part# list.

Unpainted/painted part(s) will be substituted if the painted to match part(s) ordered are not available.

In addition to Price Each shown please enclose...
 \$3.50 shipping/handling if part order is less than \$10.00 or
 \$5.00 shipping/handling if part order is \$10.00 or more.
 This is for part order only. Not WARRANTY order.

Include proper payment for parts plus shipping/handling with your (USA Bank Account Only) check/money order payable in US Dollars (\$) to: Polk's Hobbies. Please DO NOT SEND CASH. Sorry no C.O.D.'s for parts.

New Jersey residents add 6% NJ State Sales Tax.

Be Sure to include your name, street address (no Post Office Box please), city, state (or province), country (if outside USA), and postal zip code, along with daytime phone number including Area Code, so that you may be contacted if necessary.

Mail order form and payment to:

ARISTO-CRAFT TRAINS/Polk's Modelcraft Hobbies, Inc.
 346 Bergen Avenue
 Jersey City, NJ 07304 USA

Allow 4-6 weeks for processing and delivery.

PLEASE PRINT CLEARLY

NAME: _____

ADDRESS _____

CITY: _____ STATE: _____ ZIP: _____

PHONE: (_____) - _____