

#1 Gauge 1:29 SCALE

ART-32500 SERIES STREAMLINE DINER CAR

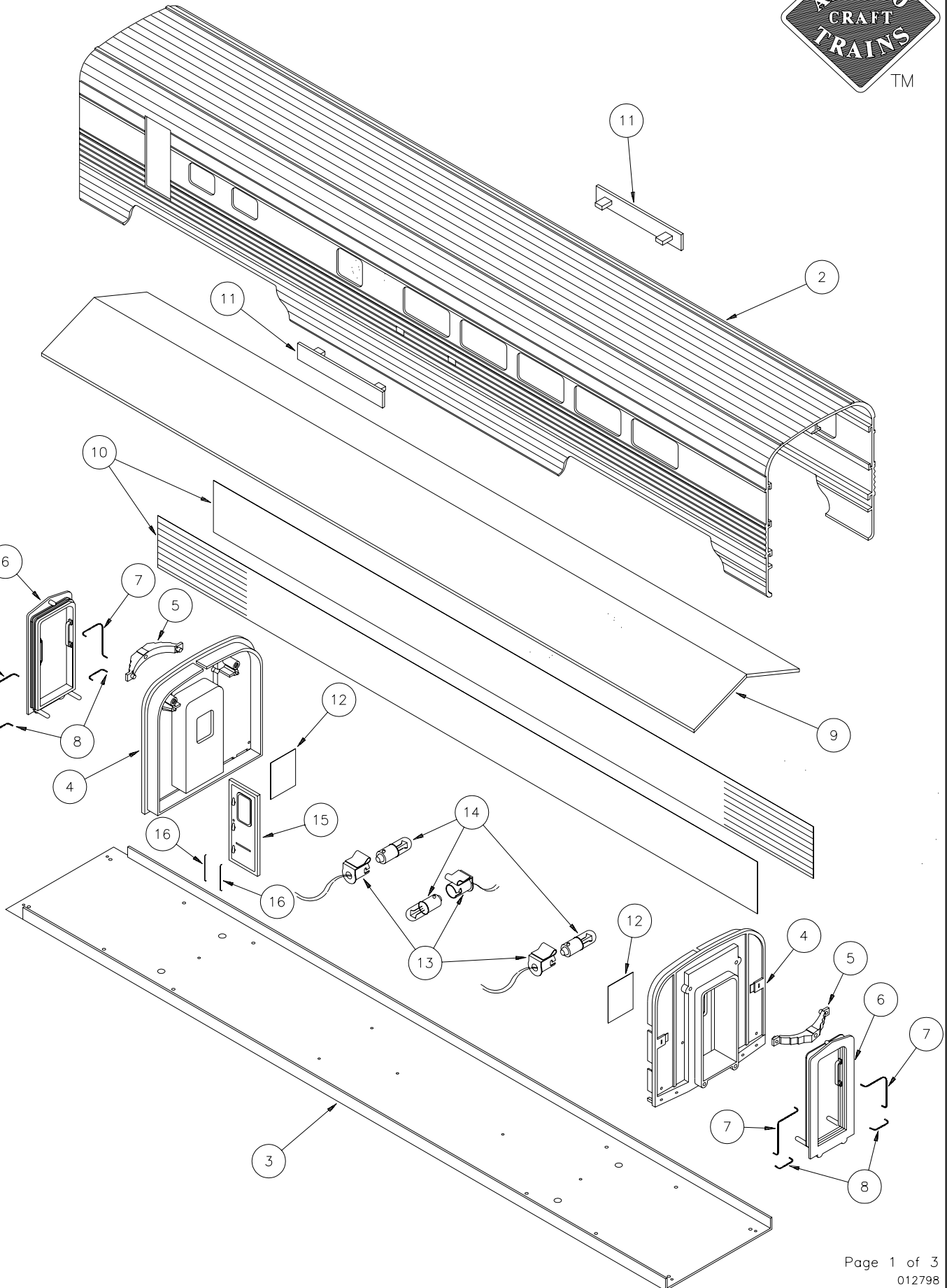
EXPLODED PARTS DIAGRAM



+

+

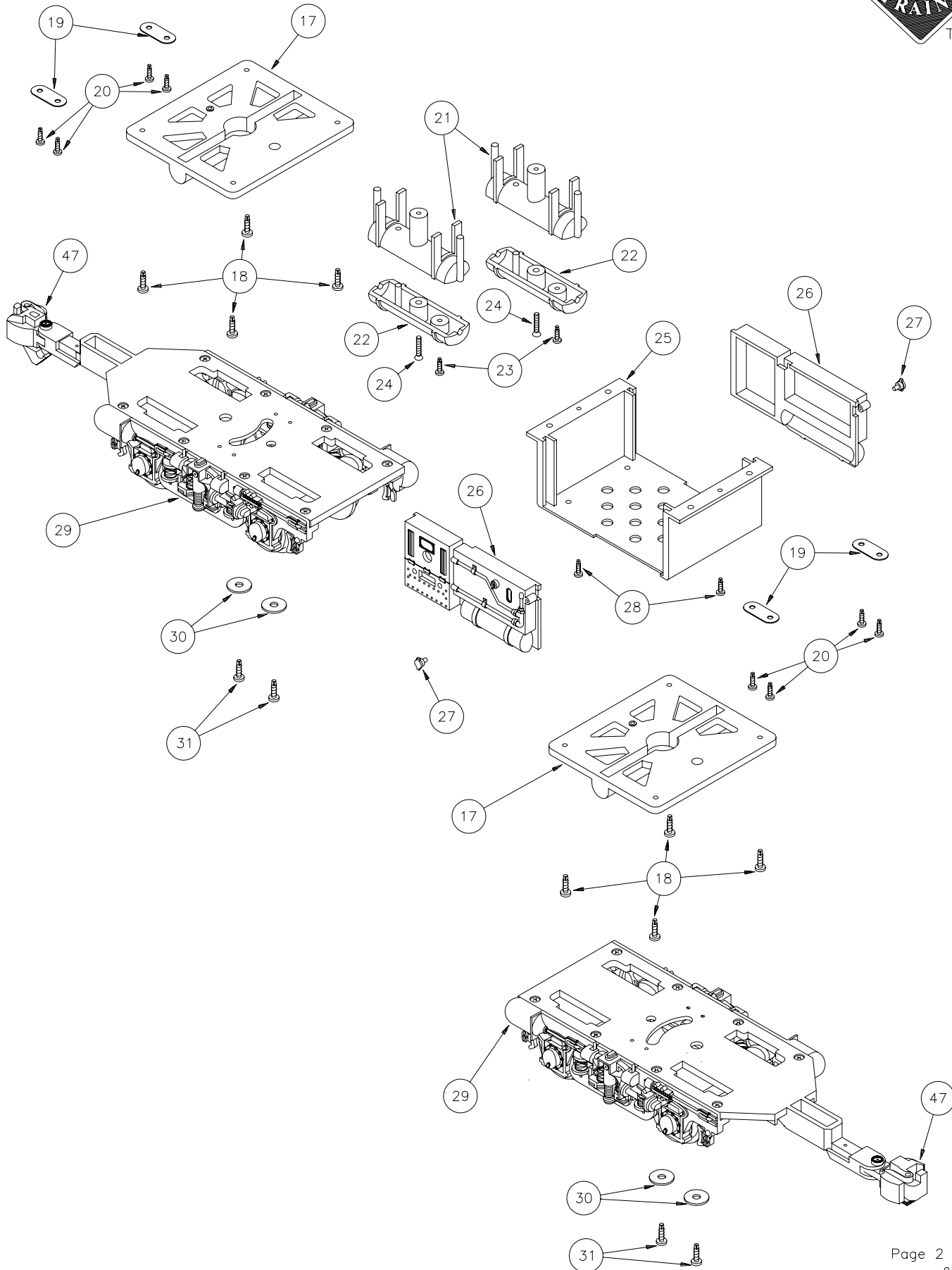
+



#1
Gauge 1:29
SCALE

ART-32500 SERIES STREAMLINE DINER CAR

EXPLODED PARTS DIAGRAM





ART-32500 SERIES STREAMLINE DINER CAR

PARTS LIST-ORDER FORM

#1 1:29
Gauge SCALE

SPECIFY ROADNAME/ART#: _____ Insert Quantity Ordered

Part #	Description *	Price	Quantity Ordered
1	32500-01 Instruction Manual	\$ 1.00	
2	32500-02 Diner Car Body	100.00	
3	32500-03 Chassis	15.00	
4	32500-04 Car End	10.00	
5	32500-05 Diaphragm Spring	1.00	
6	32500-06 Diaphragm Frame	1.00	
7	32500-07 Upper Grab Iron	1.00	
8	32500-08 Lower Grab Iron	.50	
9	32500-09 Light Reflector	2.50	
10	32500-10 Window Glass	2.50	
11	32500-11 Name Board	2.00	
12	32500-12 Car End Windows	1.00	
13	32500-13 Light Bulb Socket	1.00	
14	32500-14 Bulb	.50	
15	32500-15 Galley Door	1.50	
16	32500-16 Galley Door Grab Irons	1.00	
17	32500-17 Bolster Plate	5.00	
18	32500-18 Bolster Plate Screw	.50	
19	32500-19 Car End Tie Tabs	.50	
20	32500-20 Tie Tab Screw	.25	
21	32500-21 Air Tank Upper Half	1.50	
22	32500-22 Air Tank Lower Half	1.00	
23	32500-23 Air Tank Joining Screw	.25	
24	32500-24 Air Tank Mounting Screw	.25	
25	32500-25 Comfort Package Frame	1.50	
26	32500-26 Comfort Package Side	1.00	
27	32500-27 Comfort Package Side Screw	.25	
28	32500-28 Comfort Package Mounting Screw	.25	
29	ART-29117 Truck Streamline Passenger	49.95	
30	32500-30 Washer	.50	
31	32500-31 Truck Mounting Screw	.50	
32	32500-32 Truck Bolster	5.00	
33	32500-33 Bolster To Sideframe Screw	.50	
34	32500-34 Sideframe	5.00	
35	ART-29119 Lower Spring Holder	5.00	
36	32500-36 Spring	.50	
37	32500-37 Bushing Assembly	3.00	
38	32500-38 Bearing Hub	1.00	
39	32500-39 Bushing Assembly Screw	.50	
40	32500-40 Tortion Bar Assembly	2.50	
41	32500-41 Tortion Bar Assembly Screw	.50	
42	32500-42 Bolster To Sideframe Stiffener	1.50	
43	32500-43 Bolster To Sideframe Stiffener Screw	.50	
44	ART-29111B Metal Wheel Set	19.95	
45	ART-29200 Knuckle Coupler Set	7.95	
99	32500-99 Parts List-Order Form	No Charge	

* one piece unless otherwise noted

RETURN THIS FORM WITH YOUR ORDER
A REPLACEMENT FORM WILL BE SENT WITH YOUR ORDER

NOTE: When ordering replacement parts or a repair request, please refer to proper 5 or 7 digit number listed. XX- refers to last two digits of roadname ART passenger car number when part is painted to match, i.e. ART-32502 BALTIMORE & OHIO. 32502-11 would then refer to NAME BOARDS for BALTIMORE & OHIO Streamline Diner Car ART-32502. If part is same FOR ALL STREAMLINE DINER CARS, 32500-plus 2 digit number would be used to denote specific part, i.e. 32500-17 BOLSTER PLATE used on ALL STREAMLINE DINER CARS regardless of railroad name. When part is same FOR ALL STREAMLINE DINER CARS, 29200 (or other #-plus 2 digit number) would be used to denote specific part regardless of roadname/car type. Please specify roadname/ART# on line above part# list and always when ordering parts by phone/fax/letter.

Unpainted/painted part(s) will be substituted if the painted to match part(s) ordered are not available.
In addition to Price Each shown please enclose...
\$3.50 shipping/handling if part order is less than \$10.00 or \$5.00 shipping/handling if part order is \$10.00 or more.

This is for part order only. Not WARRANTY order.
Include proper payment for parts plus shipping/handling with your (USA Bank Account Only) check/money order payable in US Dollars (\$) to: Polk's Hobbies. Please DO NOT SEND CASH. Sorry no C.O.D.'s for parts.

New Jersey residents add 6% NJ State Sales Tax.
Be Sure to include your name, street address (no Post Office Box please), city, state (or province), country (if outside USA), and postal zip code, along with daytime phone number including Area Code, so that you may be contacted if necessary.

Mail order form and payment to:
ARISTO-CRAFT TRAINS/Polk's Modelcraft Hobbies, Inc.
346 Bergen Avenue
Jersey City, NJ 07304 USA
Allow 4-6 weeks for processing and delivery.

PLEASE PRINT CLEARLY
NAME: _____

ADDRESS _____

CITY: _____ STATE: _____ ZIP _____

PHONE: (_____) - _____

