



ART-40000 SERIES 20 FT. 2 AXLE GONDOLA

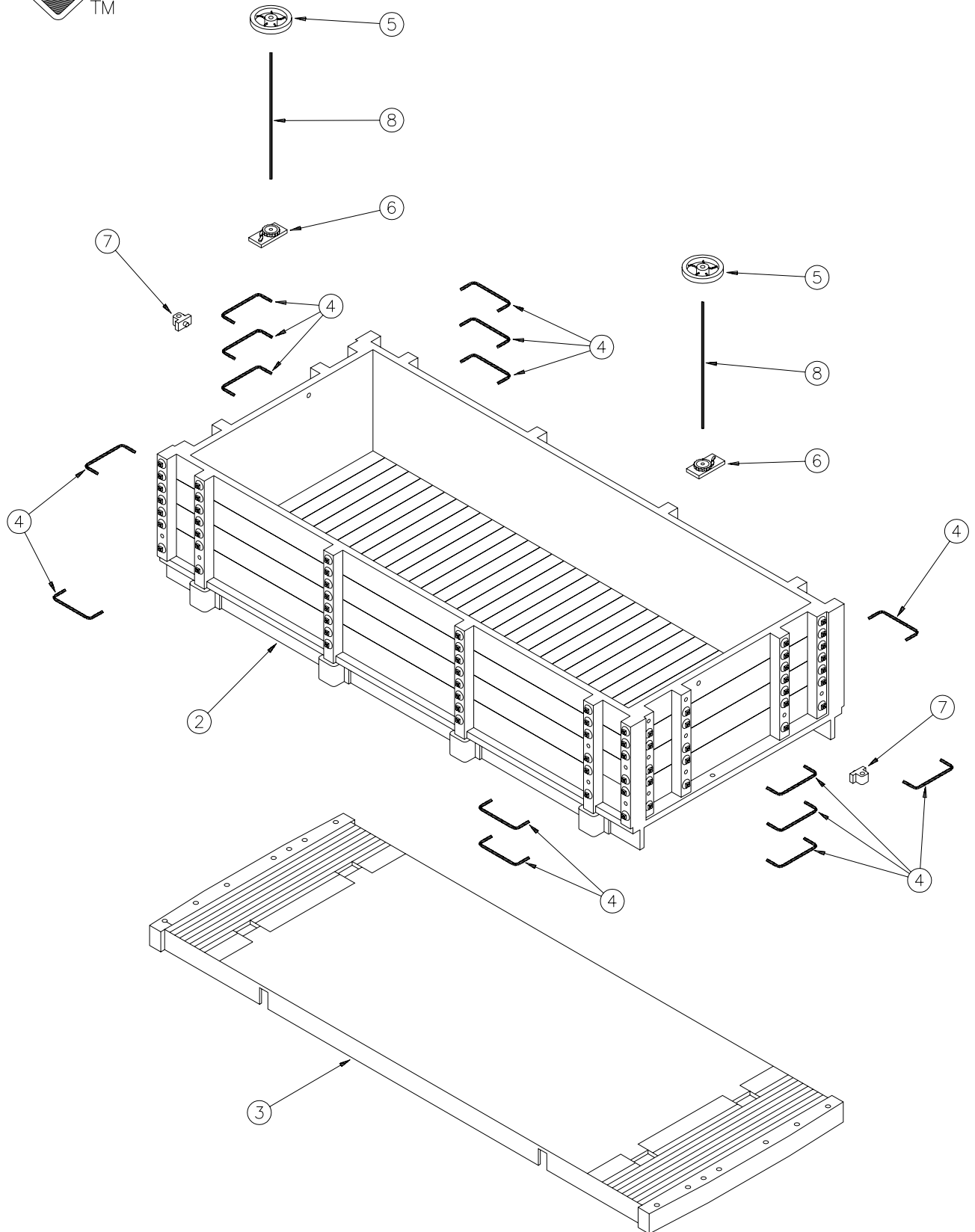
EXPLODED PARTS DIAGRAM

#1 1:29
Gauge SCALE

+

+

+



ART-40000 SERIES 20 FT. 2 AXLE GONDOLA

PARTS LIST-ORDER FORM



SPECIFY ROADNAME/ART#: _____ Insert Quantity

Part #	Description *	Price	Ordered
① 40000-01	Instruction Manual		
② 40000-02	Body		
③ 40000-03	Chassis		
④ 40000-04	Grab Irons		
⑤ 40000-05	Brake Wheel		
⑥ 40000-06	Brake Wheel Ratchet		
⑦ 40000-07	Brake Wheel Upper Support		
⑧ 40000-08	Brake Wheel Post		
Ⓐ 29104	Plastic Wheel Set (2 axles w/ 4 wheels)		
Ⓑ 42200-02	Sideframe w/o Springs-Axle Journal Box		
Ⓒ 42200-03	Axle Journal Box		
Ⓓ 29101-99	Freight Truck Spring (2 pcs.)		
Ⓜ 29200-87	Mounting Screw		
Ⓤ 42200-82	Underframe Screw (2 pcs.)		
Ⓧ 29200	Coupler-Knuckle (2 pcs.)		
Ⓩ 29101-69	Plastic Loop/Hook Couplers (2 pcs.)		
④ 42200-99	Parts List-Order Form		

*one piece unless otherwise noted

RETURN THIS FORM WITH YOUR ORDER
A REPLACEMENT FORM WILL BE SENT WITH YOUR ORDER

NOTE: When ordering replacement parts or repair request, please refer to proper 5 or 7 digit number listed.

XX refers to last two digits of roadname ART freight car number when part is painted to match, i.e. ART-40002 SANTE FE. 40002-02 would then refer to the BODY for SANTE FE 20 FT. GONDOLA ART-40002. If part is same FOR ALL 20 FT. GONDOLAS, 40000-plus 2 digit number would then be used to denote specific part, i.e. 40000-03 CHASSIS. When part is same FOR ALL GONDOLAS and OTHER FREIGHT CARS, 29200 (or other #-plus 2 digit number) would be used to denote specific part regardless of roadname/ car type. Please specify roadname/ART# on the line above part# list.

Unpainted/painted part(s) will be substituted if the painted to match part(s) ordered are not available.

In addition to Price Each shown please enclose... \$5.00 shipping/handling if part order is less than \$10.00 or \$10.00 shipping/handling if part order is \$10.00 or more.

This is for part order only. Not WARRANTY order.

Include proper payment for parts plus shipping/handling with your (USA Bank Account Only) check/money order payable in US Dollars (\$) to: Polk's Hobbies. Please DO NOT SEND CASH. Sorry no C.O.D.'s for parts.

New Jersey residents add 6% NJ State Sales Tax.

Be Sure to include your name, street address (no Post Office Box please), city, state (or province), country (if outside USA), and postal zip code, along with daytime phone number including Area Code, so that you may be contacted if necessary.

Mail order form and payment to:

ARISTO-CRAFT TRAINS/Polk's Modelcraft Hobbies, Inc.
698 South 21st Street
Irvington, NJ 07111-4109 USA

Allow 4-6 weeks for processing and delivery.

PLEASE PRINT CLEARLY

NAME: _____

ADDRESS _____

CITY: _____ STATE: _____ ZIP _____

PHONE: (_____) - _____ - _____

