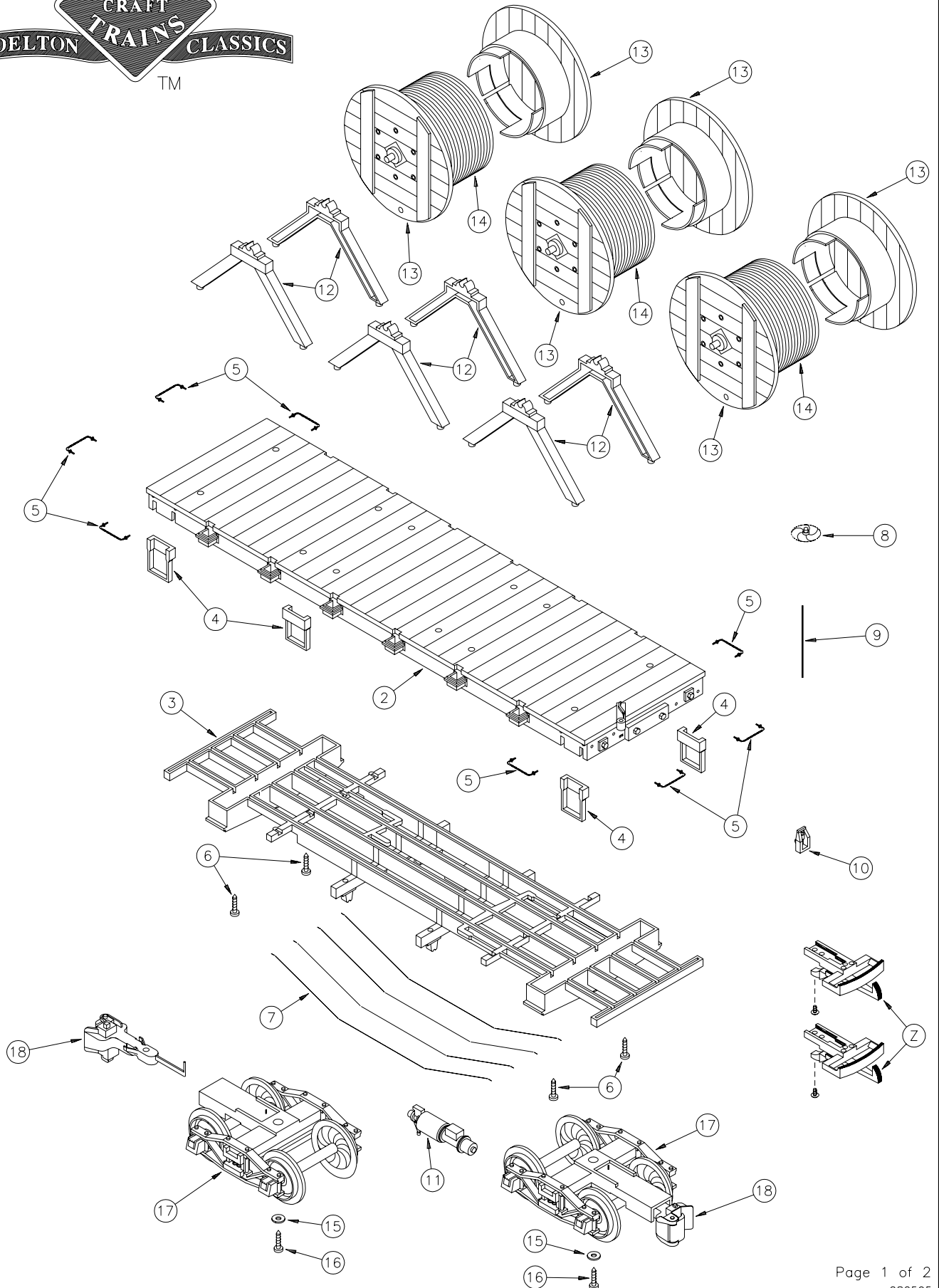


#1 Gauge 1:24 SCALE



# ART-86400 SERIES FLAT CAR WITH CABLE REELS

## EXPLODED PARTS DIAGRAM



#1 1:24 Gauge SCALE

# ART-86400 SERIES FLAT CAR WITH CABLE REELS

## PARTS LIST-ORDER FORM



SPECIFY ROADNAME/ART#: \_\_\_\_\_ Insert Quantity Ordered

RETURN THIS FORM WITH YOUR ORDER  
A REPLACEMENT FORM WILL BE SENT WITH YOUR ORDER

Part #	Description *	Price	Quantity Ordered
② 86400-01	Instruction Manual	\$ 1.00	
③ 864XX-02	Flat Car Body (Except LTD./Special editions)	25.00	
④ 86400-03	Underframe	15.00	
⑤ 86400-04	BODY END Step (pair)	2.00	
⑥ 86400-05	Grab-Railing End / Side	1.00	
⑦ 86400-06	BODY Mounting Screw	1.00	
⑧ 864XX-07	Underframe Truss Rods (set of 4)	5.00	
⑨ 864XX-08	Brakewheel	1.00	
⑩ 86400-09	Brass Brakewheel Post	2.00	
⑪ 864XX-10	Brakewheel Post Mount	1.00	
⑫ 86400-11	Underbody Air Tank	1.00	
⑬ 864XX-12	Cable Reel SUPPORT (pair)	4.00	
⑭ 864XX-13	Cable Reel section (pair)	10.00	
⑮ 864XX-14	Cable Reel Simulated WIRE Load	3.00	
⑯ 86400-15	TRUCK Mounting Washer	1.00	
⑰ 86400-16	TRUCK Mounting Screw	1.00	
⑱ 89101	DELTON CLASSICS FREIGHT TRUCK (pair)		
⑲	PLASTIC WHEELS w/o knuckle couplers	16.95	
⑳ 89200	DELTON CLASSICS KNUCKLE COUPLER (pair)	7.95	
Ⓐ 29104	Plastic Wheel Set (2 Axles-4 Wheels)	5.95	
Ⓑ 89101-02	Sideframe	4.00	
Ⓒ 89101-03	Spring Holder	1.00	
Ⓓ 89101-04	Bolster	2.00	
Ⓔ 89101-99	Freight Truck Springs (2 pcs.)	1.00	
Ⓕ 89200-02	Coupler Drawhead Shank	2.00	
Ⓖ 89200-03	Coupler Pin	1.00	
Ⓗ 89200-04	Knuckle Head	1.00	
Ⓘ 89200-05	Knuckle Spring	1.00	
Ⓝ 89200-06	Drawhead Bottom Shaft	1.00	
Ⓖ 29101-69	Plastic Loop/Hook Coupler (2 pcs.)	No Charge	
Ⓗ 86400-99	Parts List-Order Form	No Charge	

\*one piece unless otherwise noted

DO NOT CONFUSE ART-29101 ARISTO-CRAFT TRAINS FREIGHT TRUCK (pair) and ART-29200 ARISTO-CRAFT TRAINS Knuckle Couplers with the ART-89101 ARISTO-CRAFT TRAINS DELTON CLASSICS FREIGHT TRUCK (pair) and the ART-89200 ARISTO-CRAFT TRAINS DELTON CLASSICS Knuckle Couplers (used only on former DELTON products produced 1985-1994 and the new 1995 production DELTON CLASSICS by ARISTO-CRAFT TRAINS). While both styles of trucks/couplers may appear to be similar, many of the components/parts are not interchangeable and automatic operation between the two styles of Knuckle Couplers may not be possible.

NOTE: When ordering replacement parts or repair request, please refer to proper 5 or 7 digit number listed. XX refers to last two digits of roadname ART freight car number when part is painted to match, i.e. ART-86401 DRGW/RIO GRANDE, 86401-02 would then refer to BODY for RIO GRANDE DELTON CLASSICS FLAT CAR. If part is same FOR ALL DELTON CLASSICS FLAT CARS, 86400-plus 2 digit number would be used to denote specific part, i.e. 86400-11 UNDERBODY AIR TANK used on ALL DELTON CLASSICS FLAT CARS regardless of railroad name. When part is same FOR ALL DELTON CLASSICS FLAT CARS AND OTHER FREIGHT CARS, 29104 (or other #-plus 2 digit number) would be used to denote specific part regardless of roadname/car type. Please specify roadname/ART# on line above part# list and always when ordering parts by phone/fax/letter.

Unpainted/painted part(s) will be substituted if the painted to match part(s) ordered are not available.  
In addition to Price Each shown please enclose...  
\$3.50 shipping/handling if part order is less than \$10.00 or  
\$5.00 shipping/handling if part order is \$10.00 or more.

This is for part order only. Not WARRANTY order.  
Include proper payment for parts plus shipping/handling with your (USA Bank Account Only) check/money order payable in US Dollars (\$) to: Polk's Modelcraft Hobbies, Inc. Please DO NOT SEND CASH. Sorry no C.O.D.'s for parts.

New Jersey residents add 6% NJ State Sales Tax.  
Be Sure to include your name, street address (no Post Office Box please), city, state (or province), country (if outside USA), and postal zip code, along with daytime phone number including Area Code, so that you may be contacted if necessary.

Mail order form and payment to:  
ARISTO-CRAFT TRAINS/Polk's Modelcraft Hobbies, Inc.  
346 Bergen Avenue  
Jersey City, NJ 07304 USA  
Allow 4-6 weeks for processing and delivery.

PLEASE PRINT CLEARLY

NAME: \_\_\_\_\_  
ADDRESS \_\_\_\_\_  
CITY: \_\_\_\_\_ STATE: \_\_\_\_\_ ZIP \_\_\_\_\_  
PHONE: (\_\_\_\_\_) - \_\_\_\_\_

