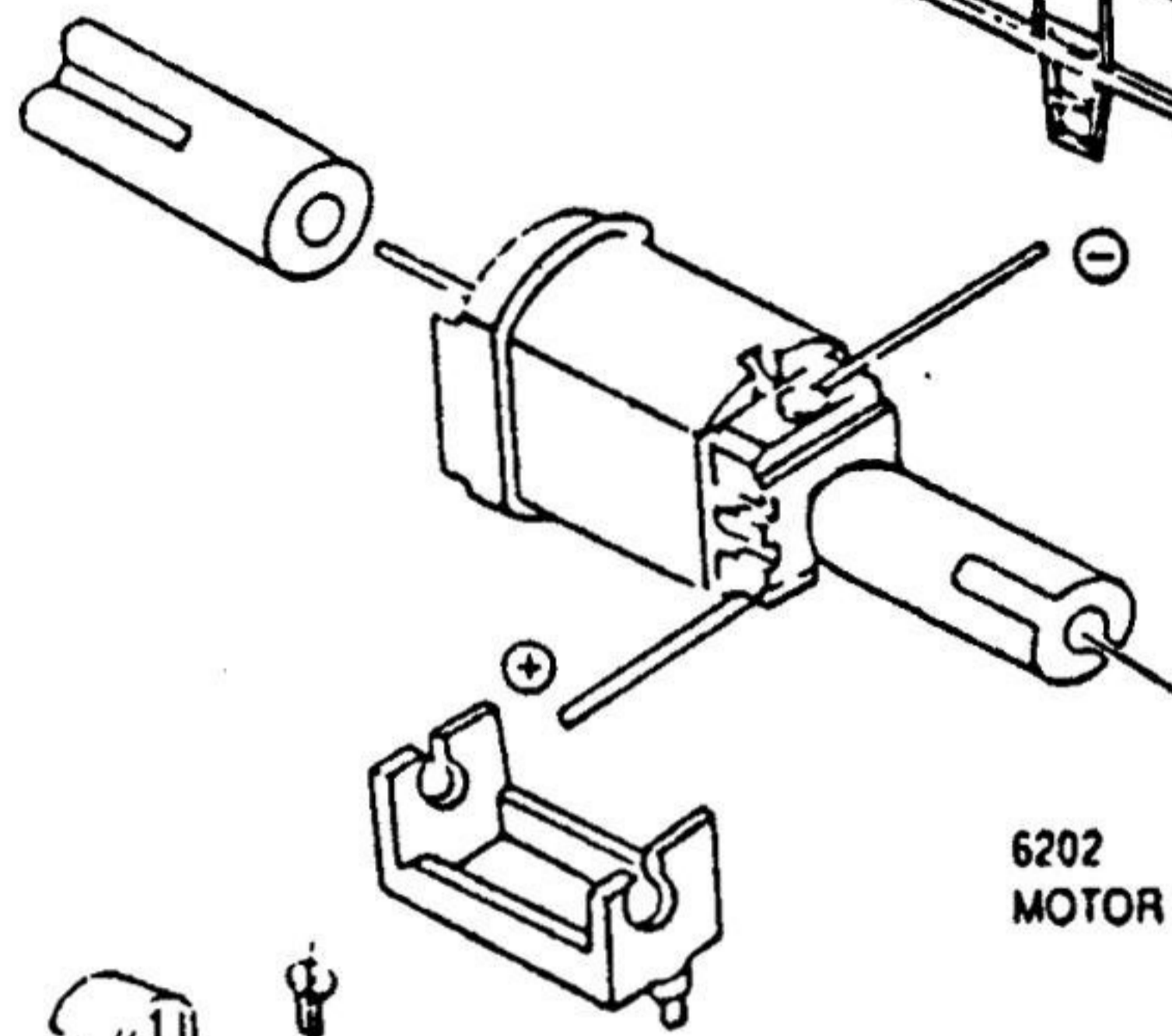
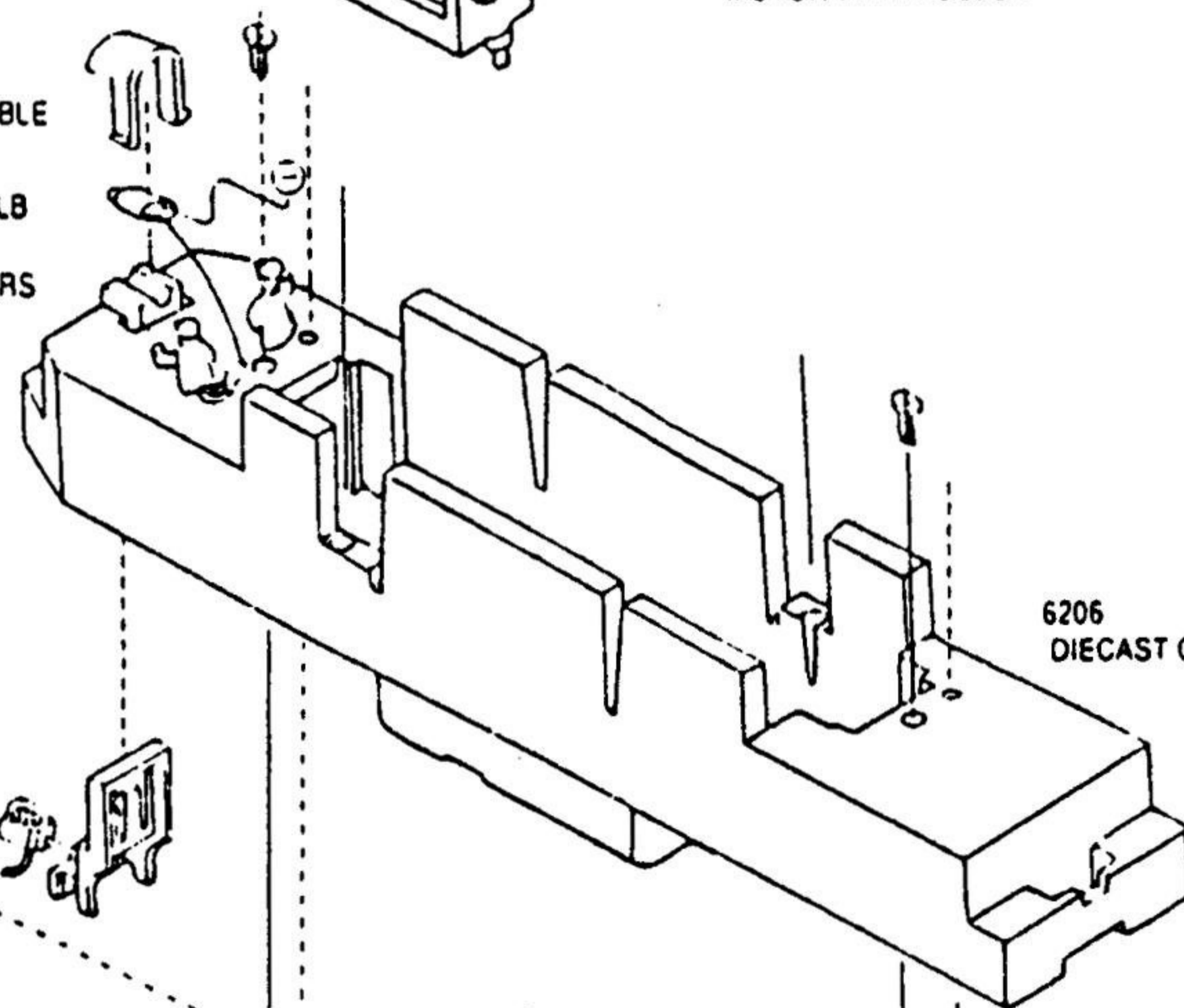


6201
F-T BODY SHELL



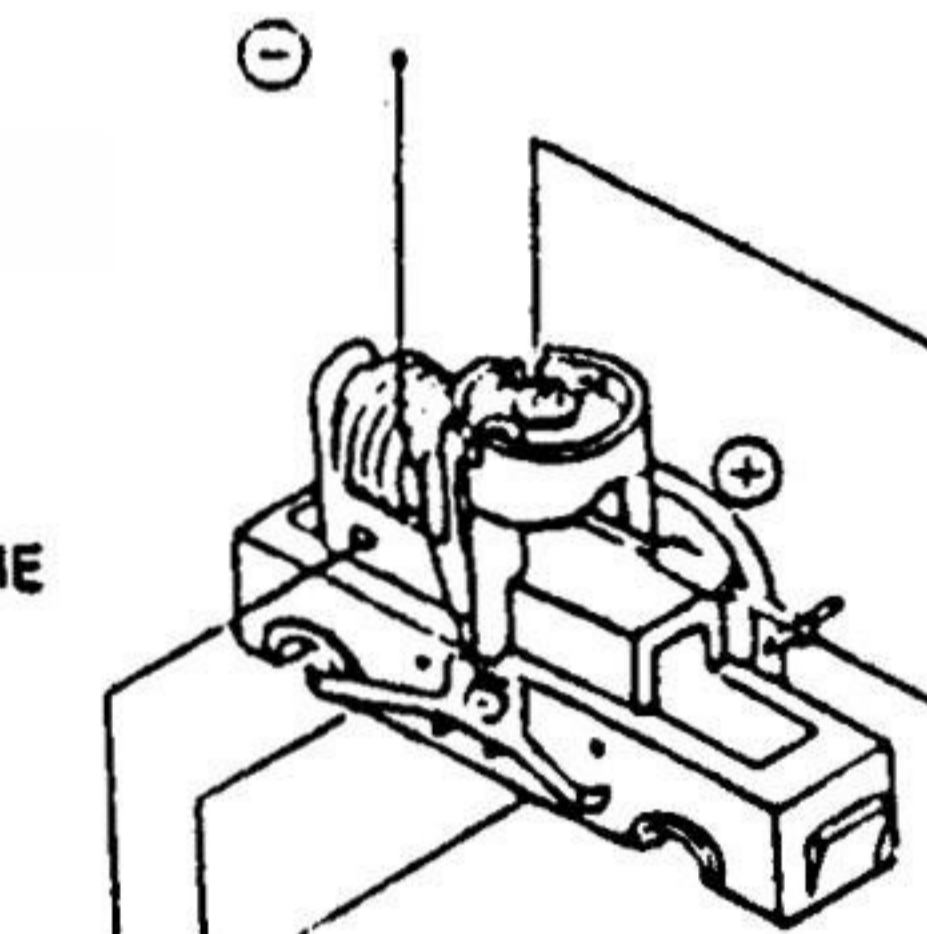
6202
MOTOR WITH HOLDER

6205
LIGHT BULB THIMBLE
6204
LIGHT BULB
6203
ENGINEERS



6206
DIECAST CHASSIS

6179
TRUCK MAIN FRAME



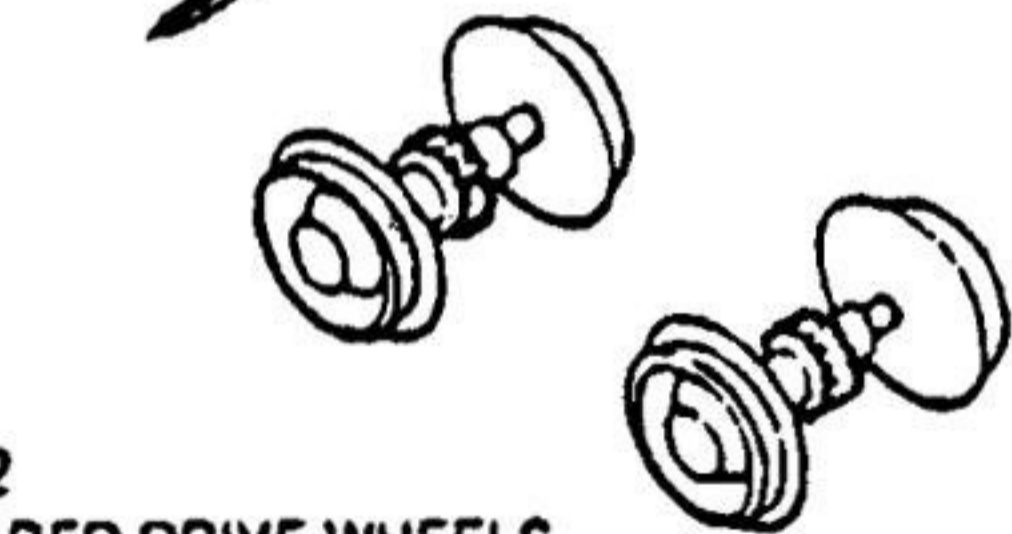
6187
TRUCK CONTACT PLATE

6209
DRIVE SHAFT

6208
FUEL TANK

6183
GEARS AND PINS

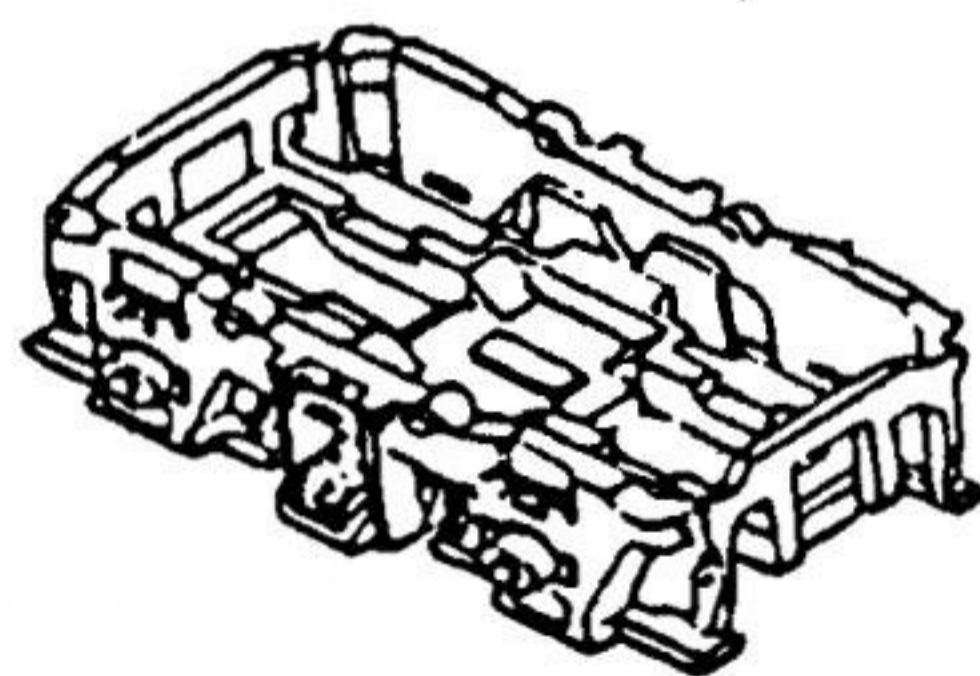
6182
GEARED DRIVE WHEELS



6210
SCREWS (13 PCS)

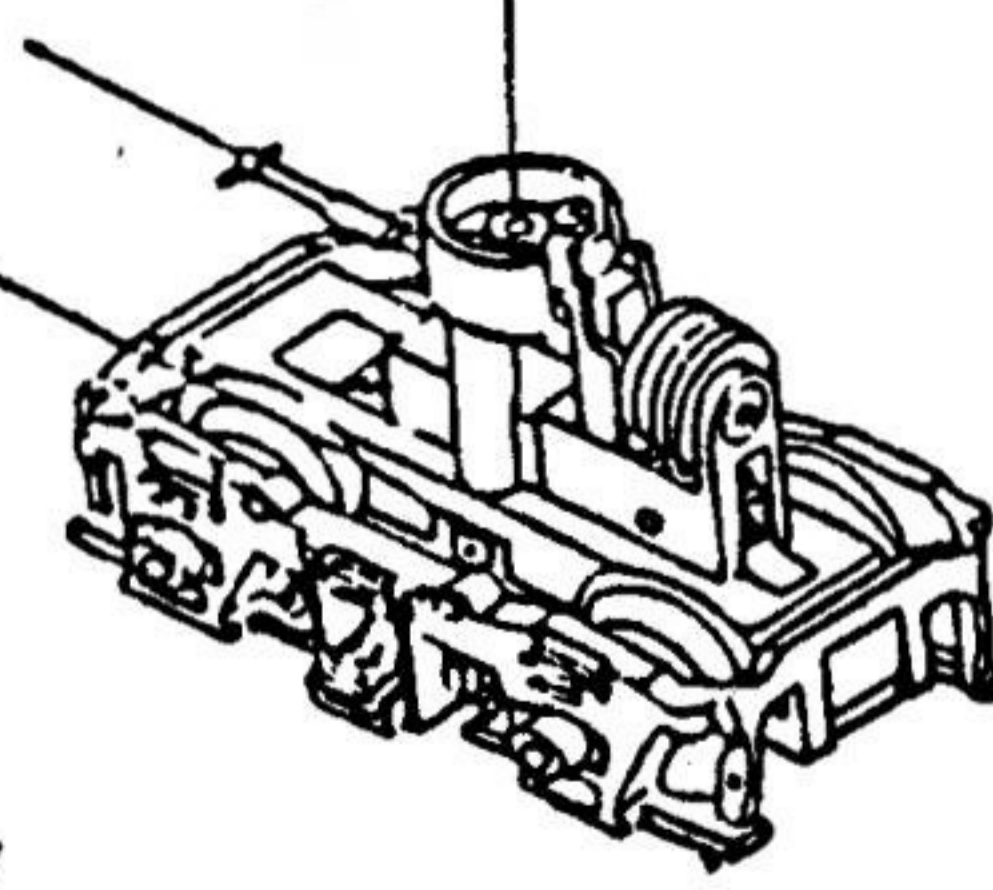
6207-1
COUPLER POCKET
(1 PAIR)

7800
E-Z MATE COUPLER
(1 PAIR)



6180
TRUCK SIDE FRAME

6211
POWER TRUCK ASSEMBLY



H620X-IS001



BACHMANN

1400 E. ERIE AVENUE
PHILADELPHIA, PA. 19124 U.S.A.