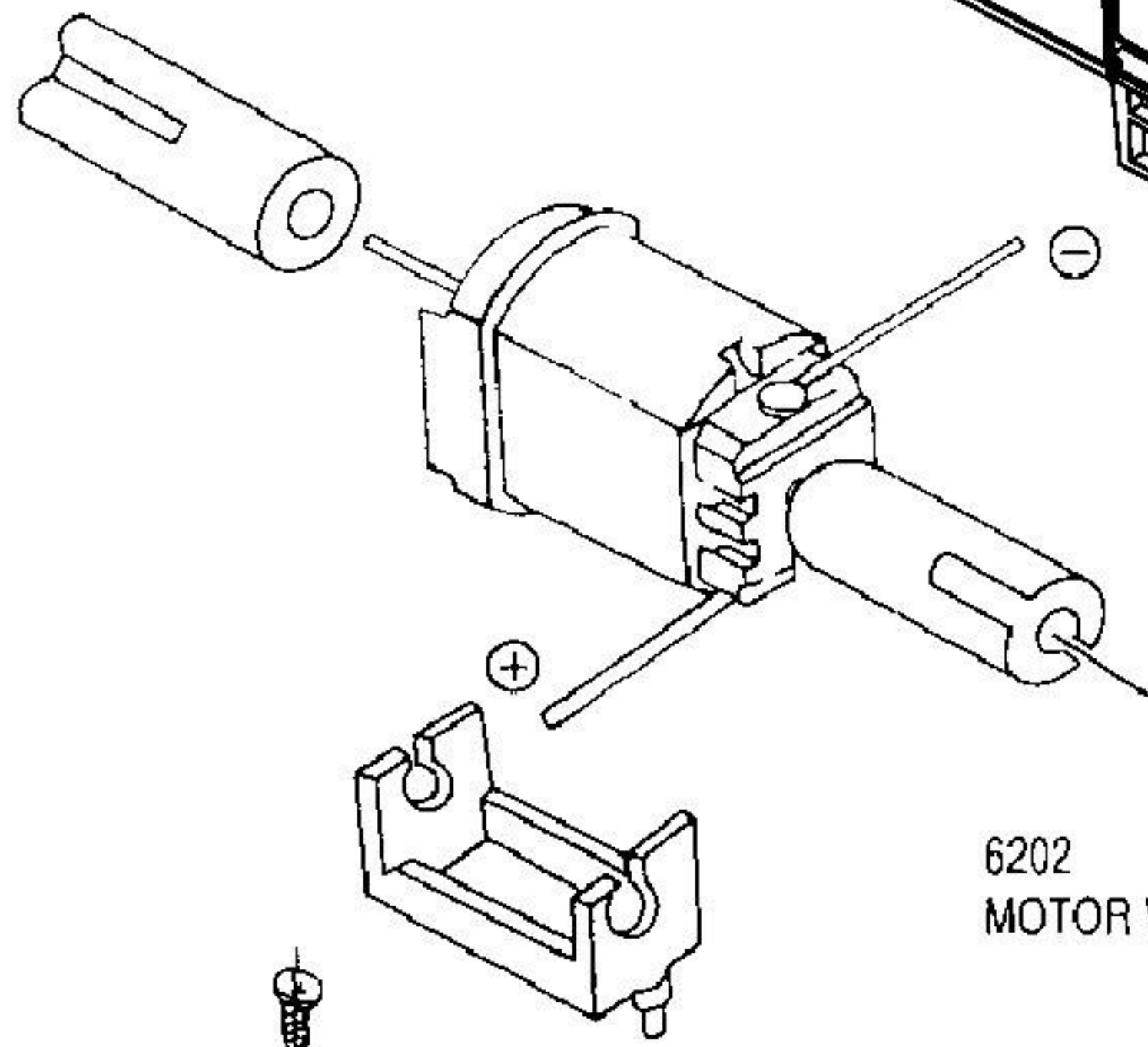
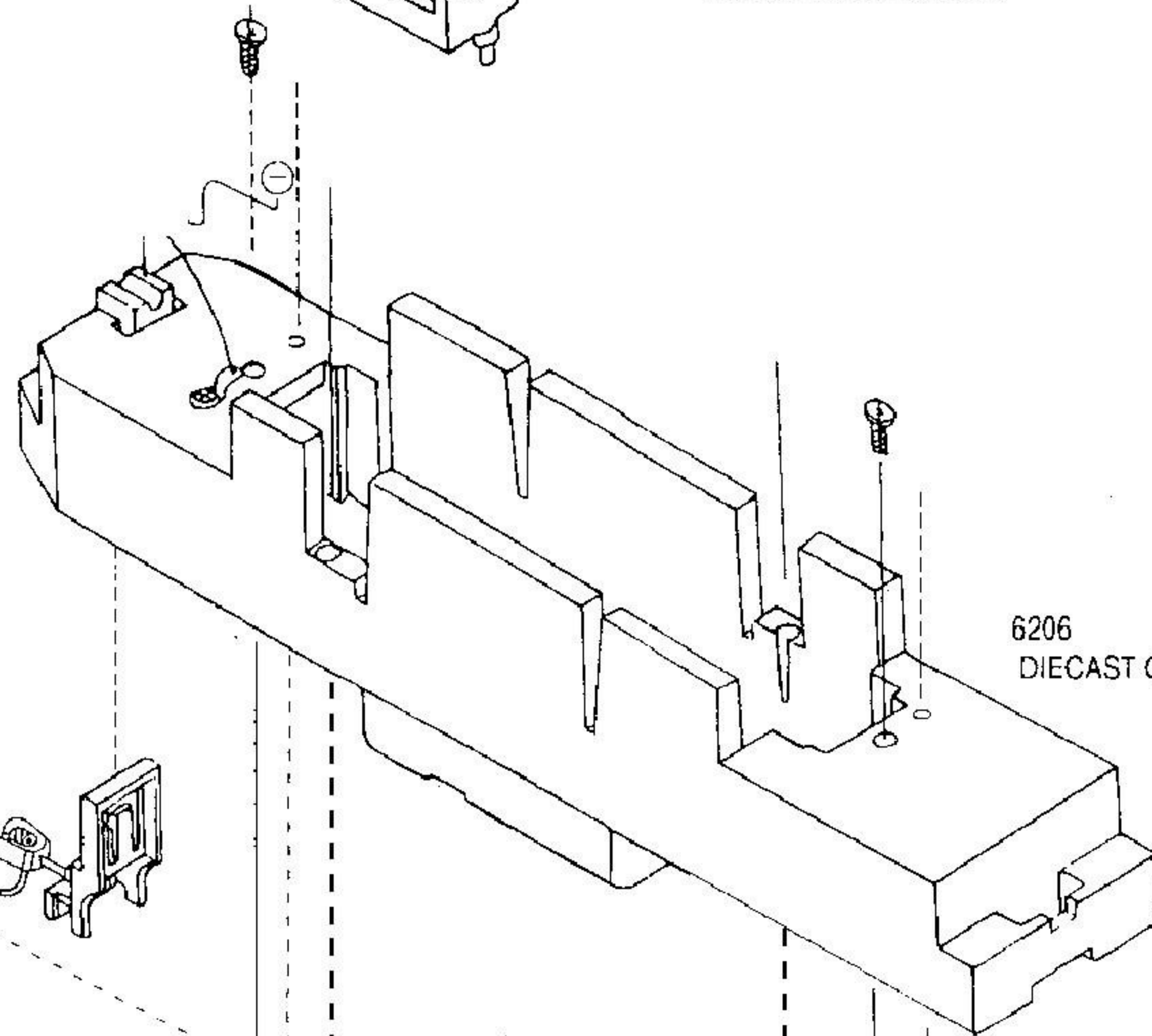


H118X-00A01

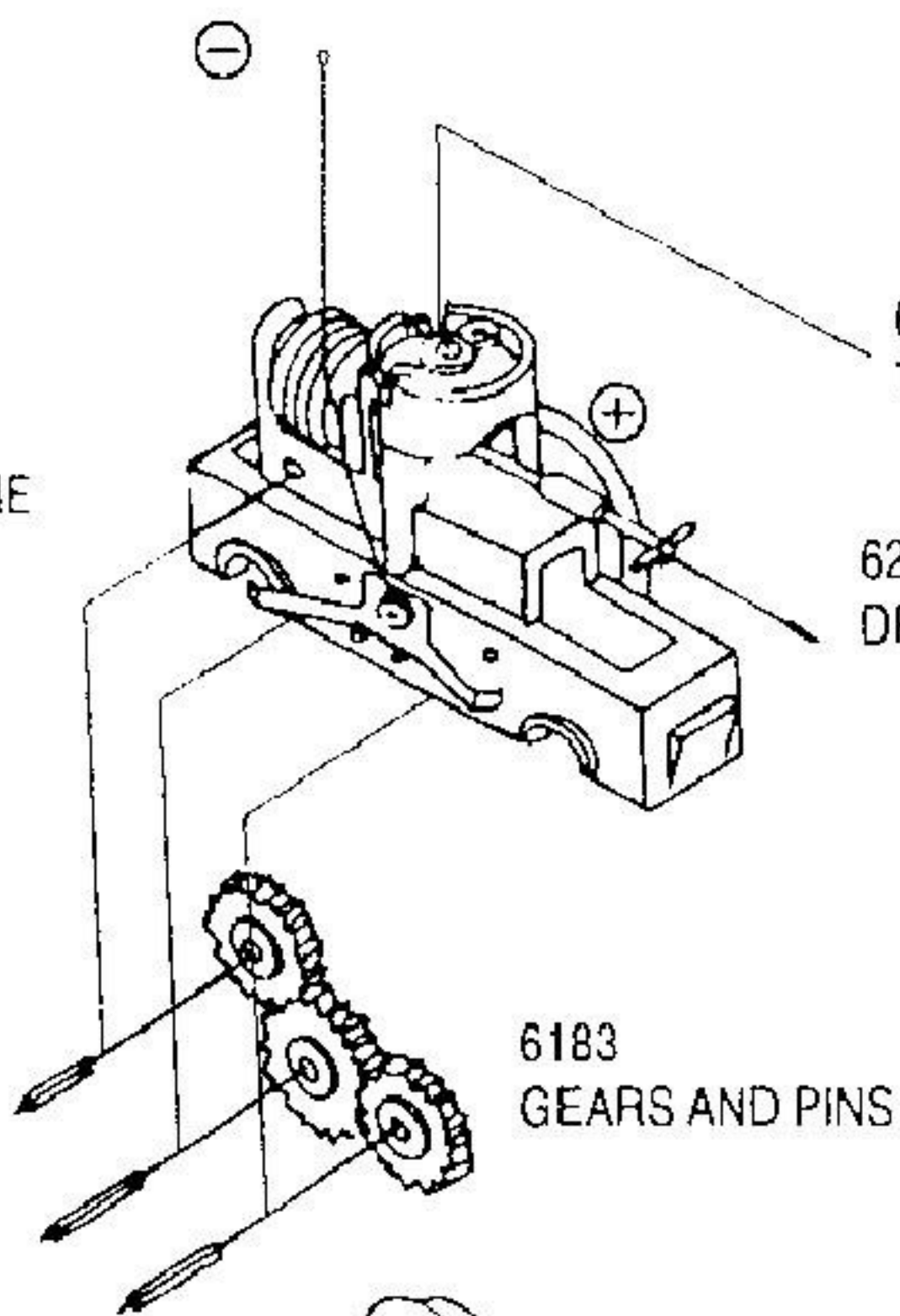


6202  
MOTOR WITH HOLDER



6206  
DIECAST CHASSIS

6179  
TRUCK MAIN FRAME

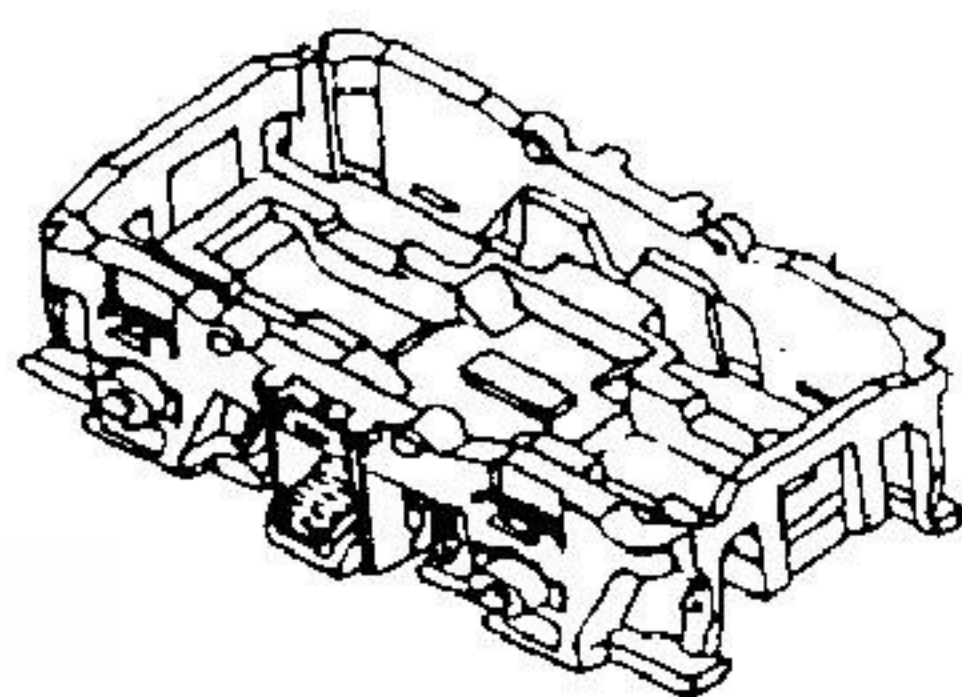


6187  
TRUCK CONTACT PLATE

6209  
DRIVE SHAFT

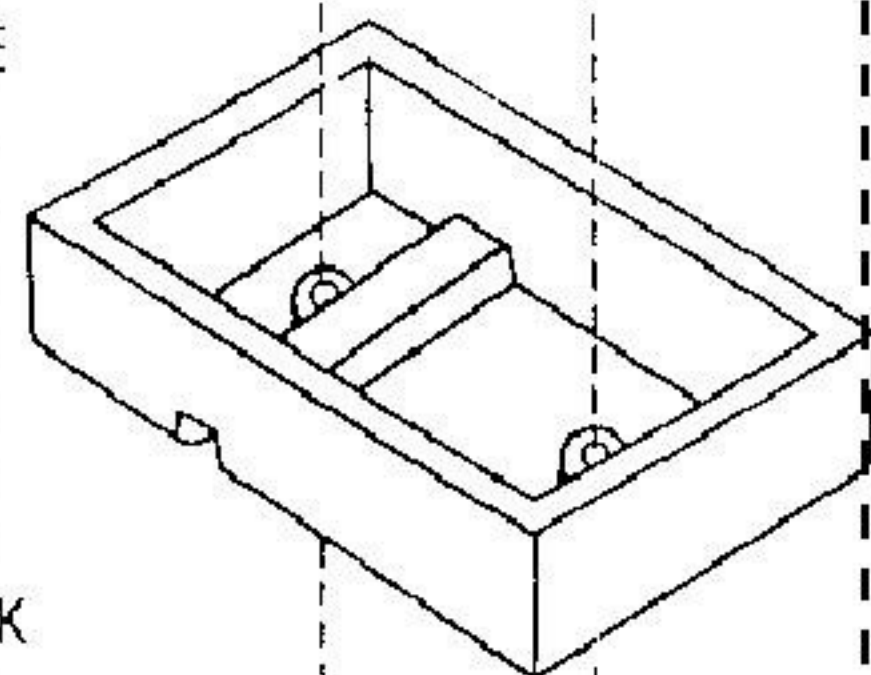
6183  
GEARS AND PINS

6182  
GEARED DRIVE WHEELS



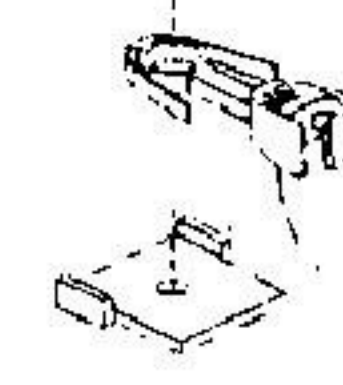
6180  
TRUCK SIDE FRAME

6208  
FUEL TANK



6210  
SCREWS (13 PCS)

6207-1  
COUPLER POCKET  
(1 PAIR)



7800  
E-Z MATE COUPLER  
(1 PAIR)

6211  
POWER TRUCK ASSEMBLY

