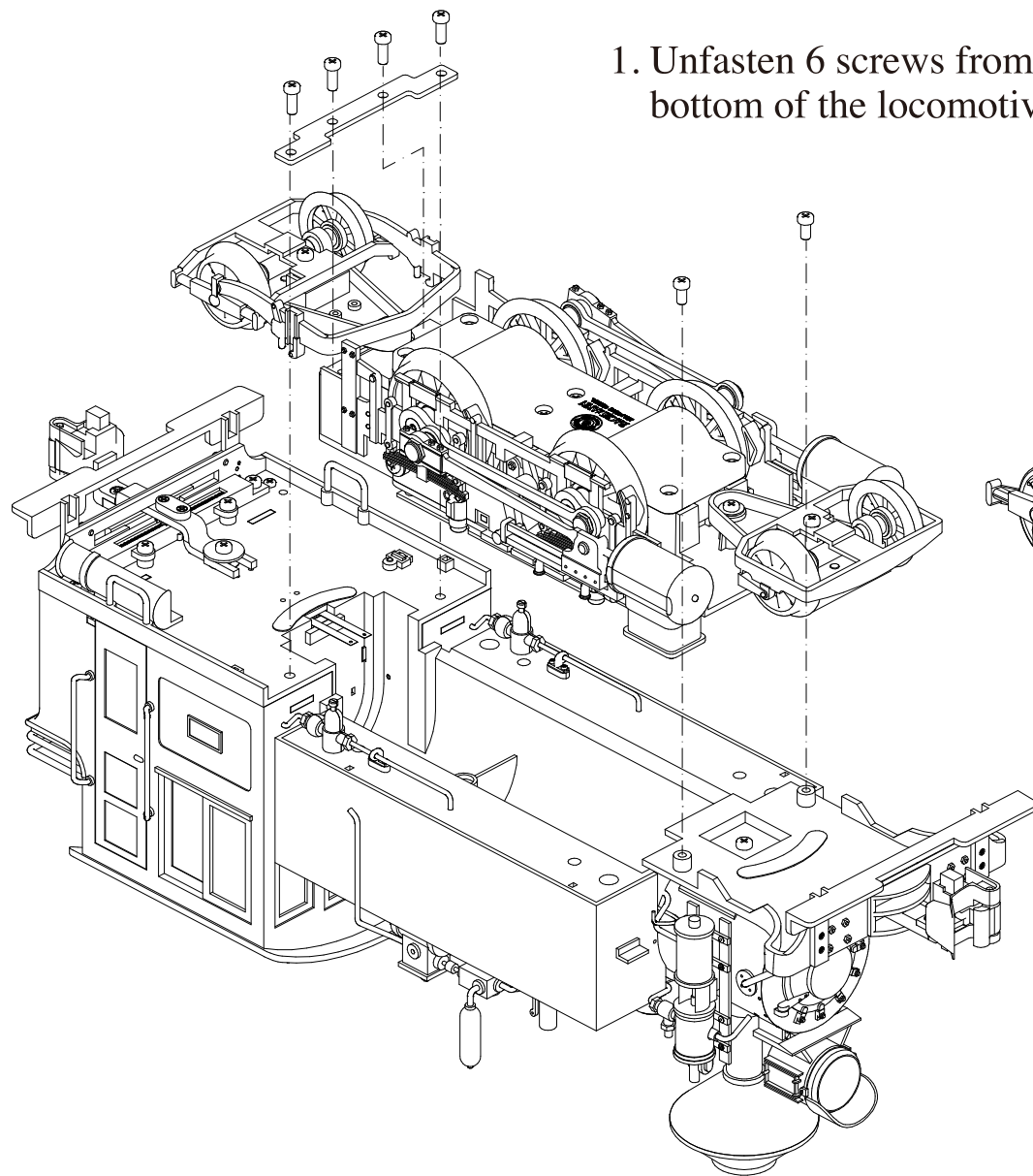
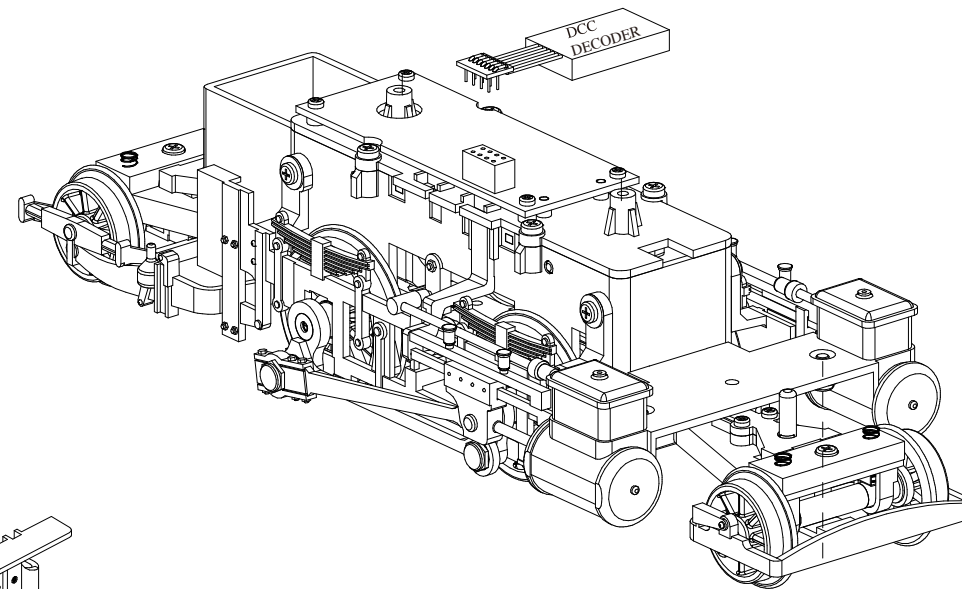


How to separate the boiler from the body & install the DCC decoder



1. Unfasten 6 screws from the bottom of the locomotive



2. Remove the dummy plug & install the DCC decoder with NMRA pin plug (NOT INCLUDED)