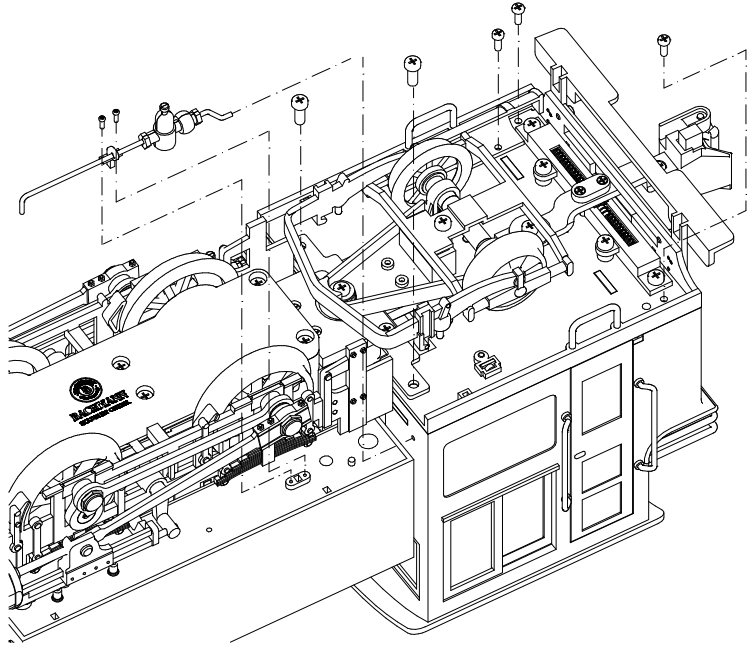
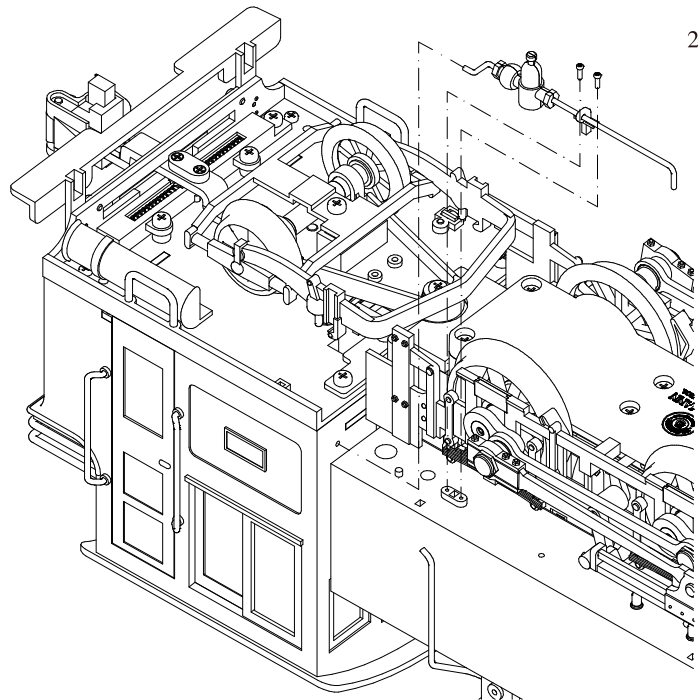
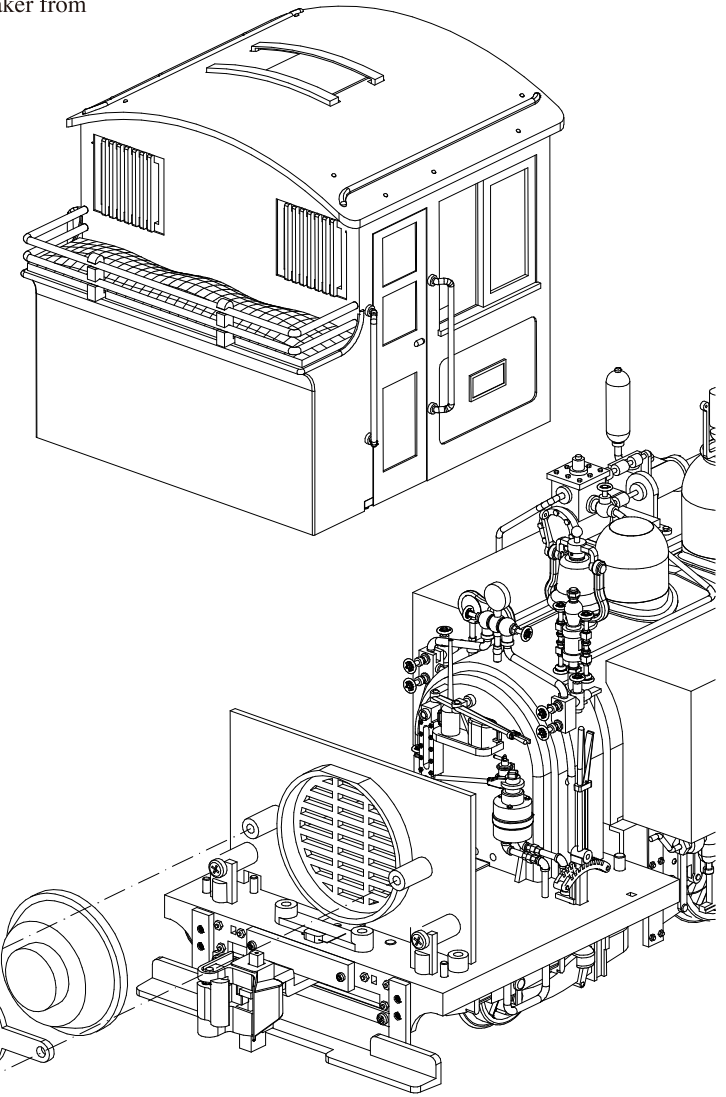
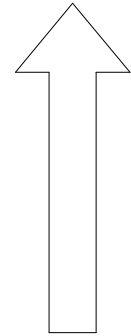


How to change the built-in speaker and remove cab



1. Unfasten the screws from the bottom of the cab

3. Lift up the cab and then remove the speaker from its base



2. Disassemble the pipes from the bottom of the rear tank