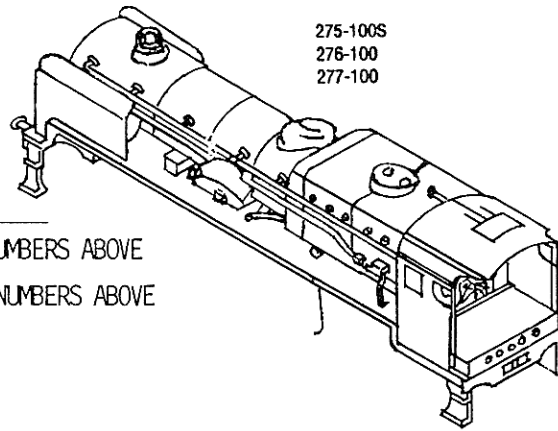


LMS PARALLEL BOILER 'SCOT'
 CLASS 4-6-0 LOCOMOTIVE

LCCO: 275-100S ROYAL SCOT NO.6100
 276-100 THE CHESHIRE REGIMENT NO.6134
 277-100 SHERWOOD FORESTER NO.6112

ADD PREFIX 'T' FOR TENDER BODIES, TO CODE NUMBERS ABOVE
 ADD PREFIX 'C' FOR TENDER CHASSIS, TO CODE NUMBERS ABOVE



275-100S
 276-100
 277-100

PLEASE NOTE
 WE WOULD LIKE TO BRING
 YOUR ATTENTION TO
 RUNNING-IN WHICH IS
 NECESSARY WITH THIS TYPE
 OR DRIVE.
 RUN FOR APPROXIMATELY
 ONE HOUR TO ALLOW
 WORKING PARTS TO BED-IN.
 LIGHTLY OIL THE MOTOR
 BEARINGS AND GEARS WHEN
 REQUIRED.

