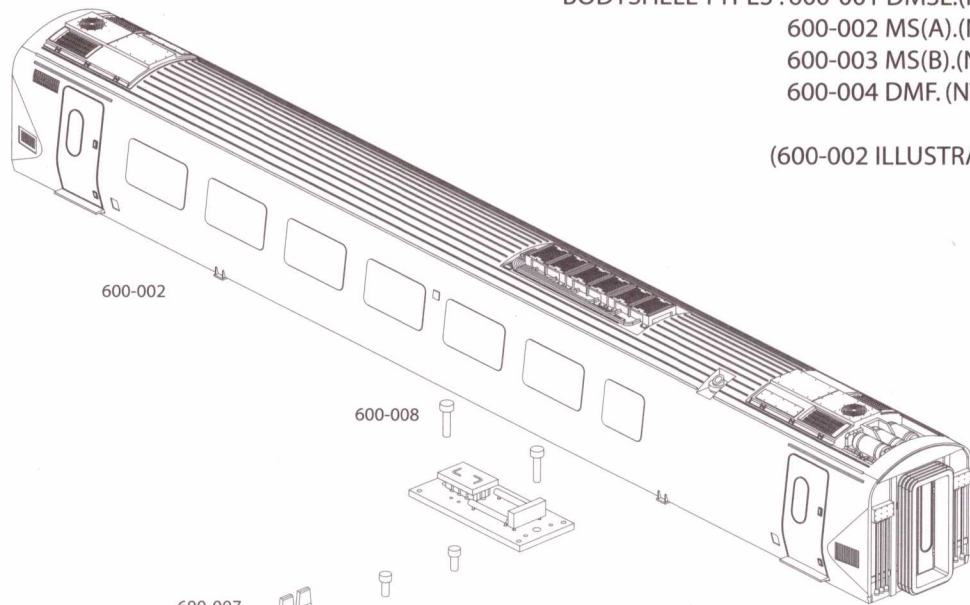


'OO' VOYAGER POWER-UNIT

BODYSHELL TYPES : 600-001 DMSL.(NT1)
 600-002 MS(A).(NT2)
 600-003 MS(B).(NT3)
 600-004 DMF. (NT4)

(600-002 ILLUSTRATED)



IMPORTANT!
 WHEN ORDERING ANY REPLACEMENT PARTS PLEASE ENSURE TO QUOTE THE APPROPRIATE CATALOGUE NUMBER/LIVERY OF YOUR BACHMANN LOCOMOTIVE. IN ADDITION TO THE NUMBER OF THE PART REQUIRED.

PLEASE NOTE WE WOULD LIKE TO BRING YOUR ATTENTION TO RUNNING - IN WHICH IS NECESSARY WITH THIS TYPE OF DRIVE. RUN FOR APPROXIMATELY ONE HOUR TO ALLOW WORKING PARTS TO BED - IN. LIGHTLY OIL THE MOTOR BEARINGS AND GEARS WHEN REQUIRED.

