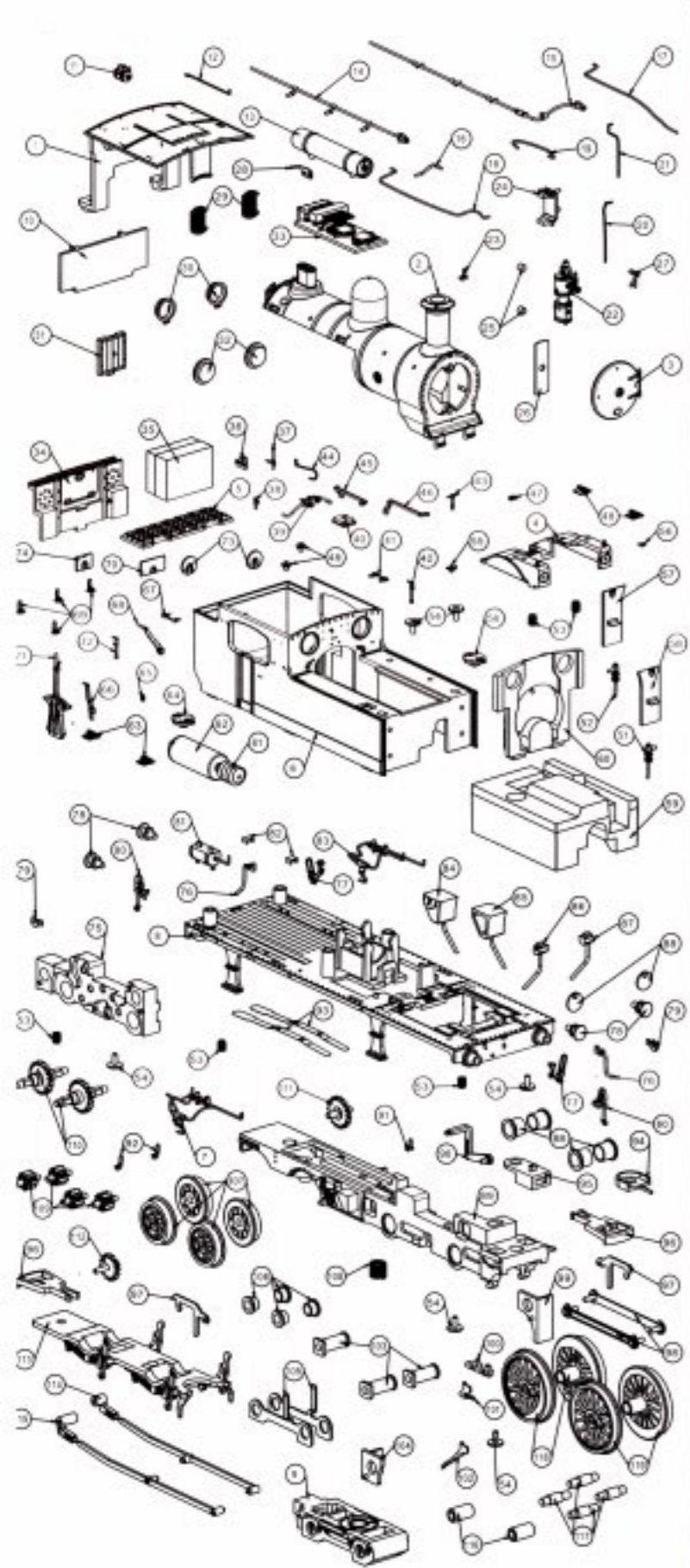
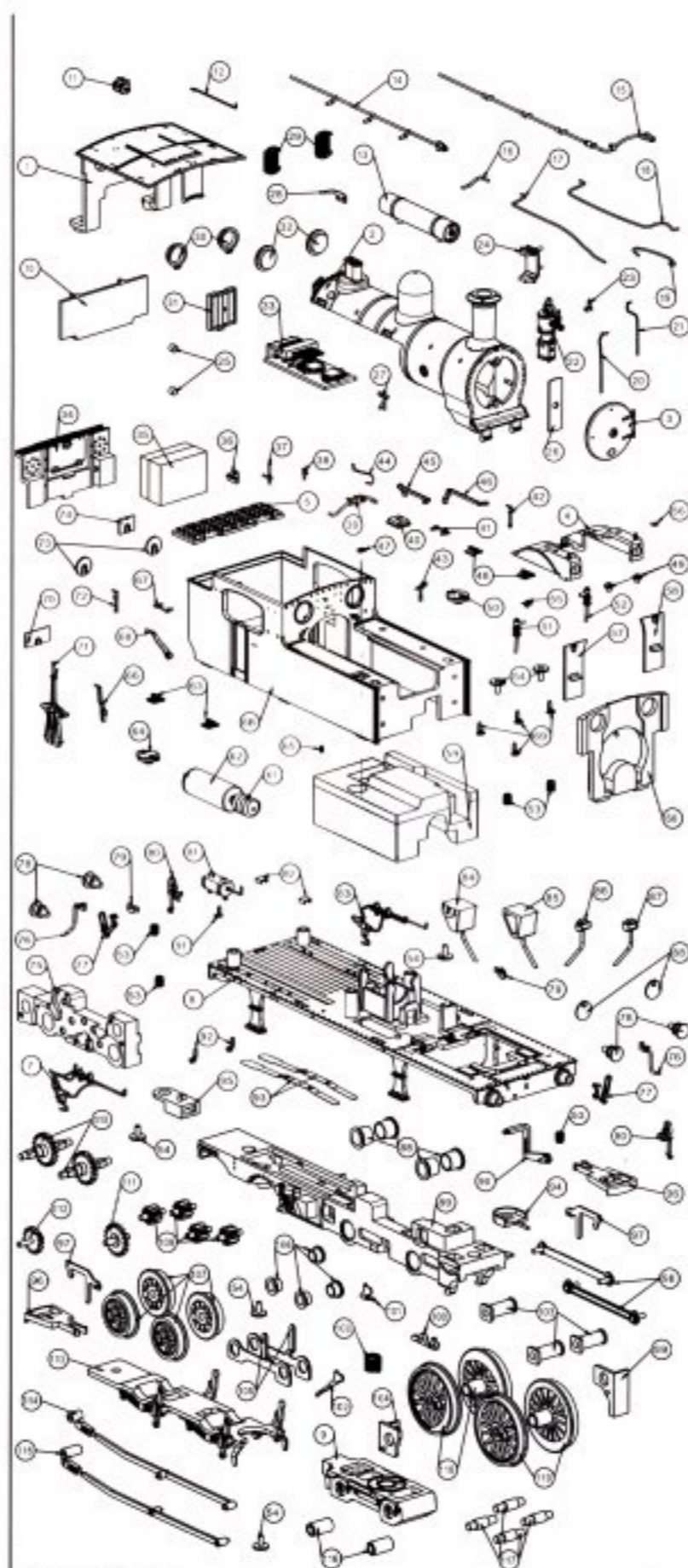


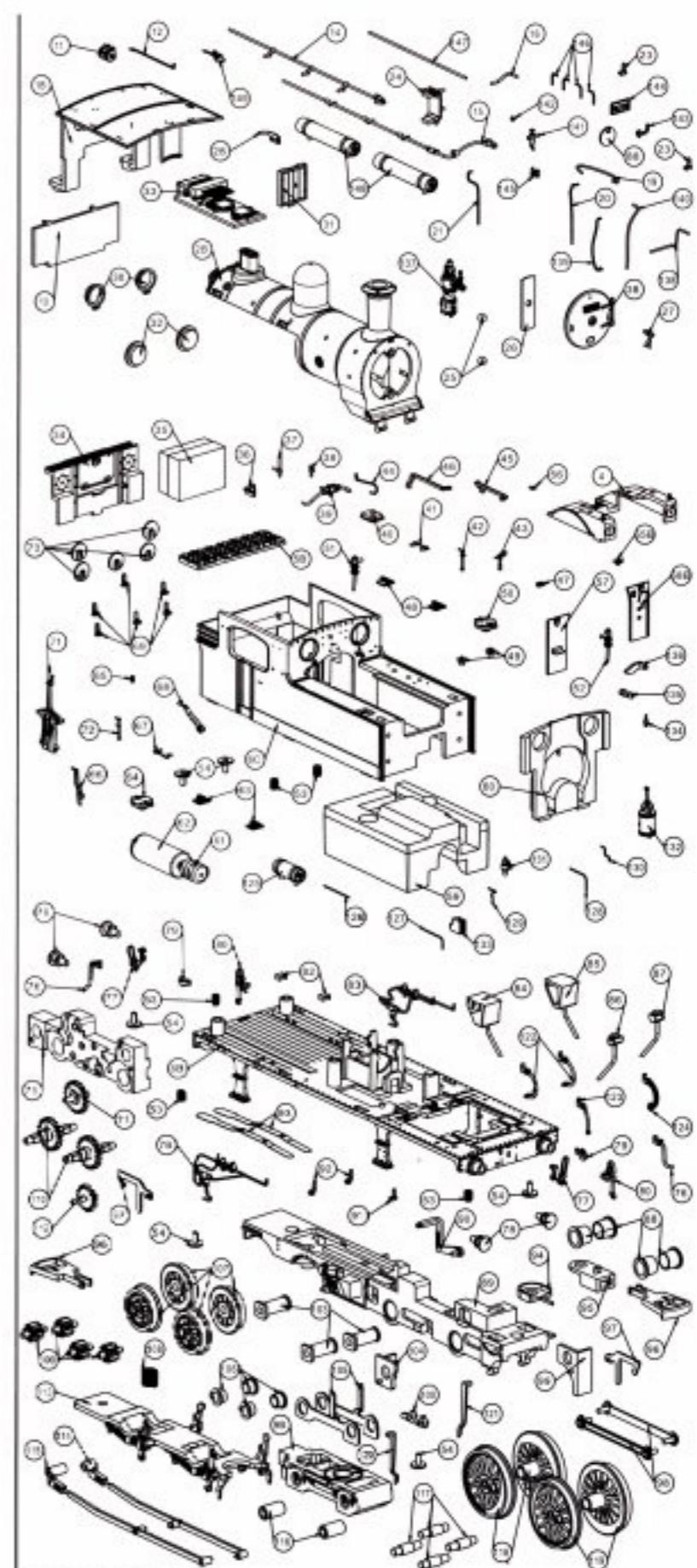
Name of part	Number of parts					Name of part	Number of parts				
	K2101	K2102	K2103	K2104	K2105		K2101	K2102	K2103	K2104	K2105
Cab roof and rear cab wall moulding	1	1	10	10	10	LH Chassis Box	88	88	88	88	88
Boiler and Smokebox Moulding	2	2	20	20	20	Powering lever moulding	89	89	89	89	89
Smokebox Door	3	3	30	30	30	Centre buffer beam (assy) bracket (1)	91	91	91	91	91
Front Splasher Moulding	4	4	4	4	4	Front RH Lamp Brackets (2)	92	92	92	92	92
Buffer Coat Moulding	5	5	50	50	50	Boiler Chassis Electrical Contact Plates (2)	93	93	93	93	93
Tank, Cab and Boiler Moulding (7 parts)	6	6	60	60	60	MEM Packer Return Spring	94	94	94	94	94
LH Hand Injector Pipes	7	7	70	70	70	MEM Coupling Pocket	95	95	95	95	95
Running Plate	8	8	80	80	80	MEM Coupler Shank	96	96	96	96	96
Boiler Bolter	9	9	90	90	90	Coupler Hook (2)	97	97	97	97	97
Pipe	10	10	10	10	10	Coupling Fork (2)	98	98	98	98	98
Valve	11	11	11	11	11	Chassis front bracket	99	99	99	99	99
RH Boiler Bolter	12	12	12	12	12	Chassis plastic moulding	100	100	100	100	100
LH Boiler and smokebox handrail & Funnels	13	13	13	13	13	RH Rear Life Guard	101	101	101	101	101
	14	14	14	14	14	LH Rear LH Guard	102	102	102	102	102
	15	15	15	15	15	Insulating split chassis divider	103	103	103	103	103
5 assorted pipes	16	16	16	16	16	Chassis plastic moulding	104	104	104	104	104
	17	17	17	17	17	Boiler Electrical Package (2)	105	105	105	105	105
	18	18	18	18	18	Boiler Wheel Bearings (4)	106	106	106	106	106
	19	19	19	19	19	Boiler Wheels (4)	107	107	107	107	107
3 assorted pipes	20	20	20	20	20	Rear Boiler Spring	108	108	108	108	108
	21	21	21	21	21	Intermediate Gears (4)	109	109	109	109	109
Washinghouse Pump	22	22	228	228	228	Larger Drive gear (2)	110	110	110	110	110
Smokebox lamp rim	23	23	23	23	23	Medium drive gear (1)	111	111	111	111	111
Washinghouse mounting bracket	24	24	24	24	24	Smaller Drive gear (1)	112	112	112	112	112
Smokebox Door Magnets	25	25	25	25	25	Lock Hooper Plate	113	113	113	113	113
Smokebox Door Rear Metal Strip	26	26	26	26	26	RH Boiler Footing	114	114	114	114	114
Smokebox Door Set	27	27	27	27	27	LH Boiler Footing	115	115	115	115	115
Safety valve arm	28	28	28	28	28	Boiler Wheel Bearings (2)	116	116	116	116	116
Front cab spectacle glass	29	29	29	29	29	Boiler Wheel Locking Axles (4)	117	117	117	117	117
Cab Front window frame	30	30	30	30	30	Rear Drive Wheels (2)	118	118	118	118	118
Upper rear cab window door	31	31	31	31	31	Front Drive wheels (2)	119	119	119	119	119
Cab Front Glazing	32	32	32	32	32	Front Brake pipes (2)	120	120	120	120	120
OCC Bench PCB Board and Sensing Plug	33	33	33	33	33	Vacuum Pipe	121	121	121	121	121
Rear Cab Bulhead	34	34	34	34	34	Air pipe	122	122	122	122	122
NOT AVAILABLE	35	35	35	35	35	Air Cylinder	123	123	123	123	123
	36	36	36	36	36		124	124	124	124	124
	37	37	37	37	37		125	125	125	125	125
	38	38	38	38	38	Assembled pipes (5)	126	126	126	126	126
	39	39	39	39	39		127	127	127	127	127
	40	40	40	40	40	Valve	128	128	128	128	128
	41	41	41	41	41	Air Pump	129	129	129	129	129
Assembled upper body pipes and fittings (sold as 1 item)	42	42	42	42	42		130	130	130	130	130
	43	43	43	43	43	Plastic box and valve	131	131	131	131	131
	44	44	44	44	44		132	132	132	132	132
	45	45	45	45	45	Support	133	133	133	133	133
	46	46	46	46	46	Bracket	134	134	134	134	134
	47	47	47	47	47	Tool Bracket	135	135	135	135	135
	48	48	48	48	48	pipe	136	136	136	136	136
	49	49	49	49	49	Pipe	137	137	137	137	137
Water Tank Filler Cap (Right)	50	50	50	50	50	Valve	138	138	138	138	138
LH Filler tank pipe	51	51	51	51	51	Pipe Valve	139	139	139	139	139
RH Filler tank pipe	52	52	52	52	52	Valve	140	140	140	140	140
Water cap threaded worm	53	53	53	53	53	Lamp Bracket	141	141	141	141	141
Motor Block Retaining Screws (2)	54	54	54	54	54	Plastic panel	142	142	142	142	142
Boiler body parts (sold as a part)	55	55	55	55	55	Bracket	143	143	143	143	143
	56	56	56	56	56	Air pipes (4)	144	144	144	144	144
Water Tank Front Moulding (Left)	57	57	57	57	57	Boiler Pipe	145	145	145	145	145
Water Tank Front Moulding (Right)	58	58	58	58	58	Air Tanks (2)	146	146	146	146	146
Motor Retaining Block / Weight	59	59	59	59	59	Wheels	147	147	147	147	147
Coal Chute Moulding	60	60	60	60	60	Bracket	148	148	148	148	148
Control Motor	61	61	61	61	61	Boiler handrail and handrail jurnals	149	149	149	149	149
Alarm	62	62	62	62	62	Boiler Fire iron	150	150	150	150	150
LH Signalbox (2)	63	63	63	63	63						
Water Tank Filler Cap (Left)	64	64	64	64	64						
Water Tank Filler (part sold as a part)	65	65	65	65	65						
Boiler Handle	66	66	66	66	66						
Internal cab moulding part	67	67	67	67	67						
Regulator Handle	68	68	68	68	68						
Rear Lamp frame (4)	69	69	69	69	69						
Boiler panel	70	70	70	70	70						
Boiler Lintel	71	71	71	71	71						
Chimney	72	72	72	72	72						
Coal Indicator (2)	73	73	73	73	73						
Coal C/L bucket panel	74	74	74	74	74						
RH Air valve Block	75	75	75	75	75						
W/ pipe (2)	76	76	76	76	76						
Coaching chair (2)	77	77	77	77	77						
Buffers (4)	78	78	78	78	78						
Coaching Hook (2)	79	79	79	79	79						
Vacuum Pipes	80	80	808	808	808						
LH Chassis floor tank	81	81	81	81	81						
RH Signalbox (2)	82	82	82	82	82						
RH Filler injector pipes	83	83	83	83	83						
LH Sand Box (Rear Drivers)	84	84	84	84	84						
R/C Sand Box (Rear Drivers)	85	85	85	85	85						
LH Sand Box (Front Drivers)	86	86	86	86	86						
RH Sand Box (Front Drivers)	87	87	87	87	87						
Pressure wheels (Front (2))	88	88	88	88	88						



02-K2101



02-K2102



02-K2103