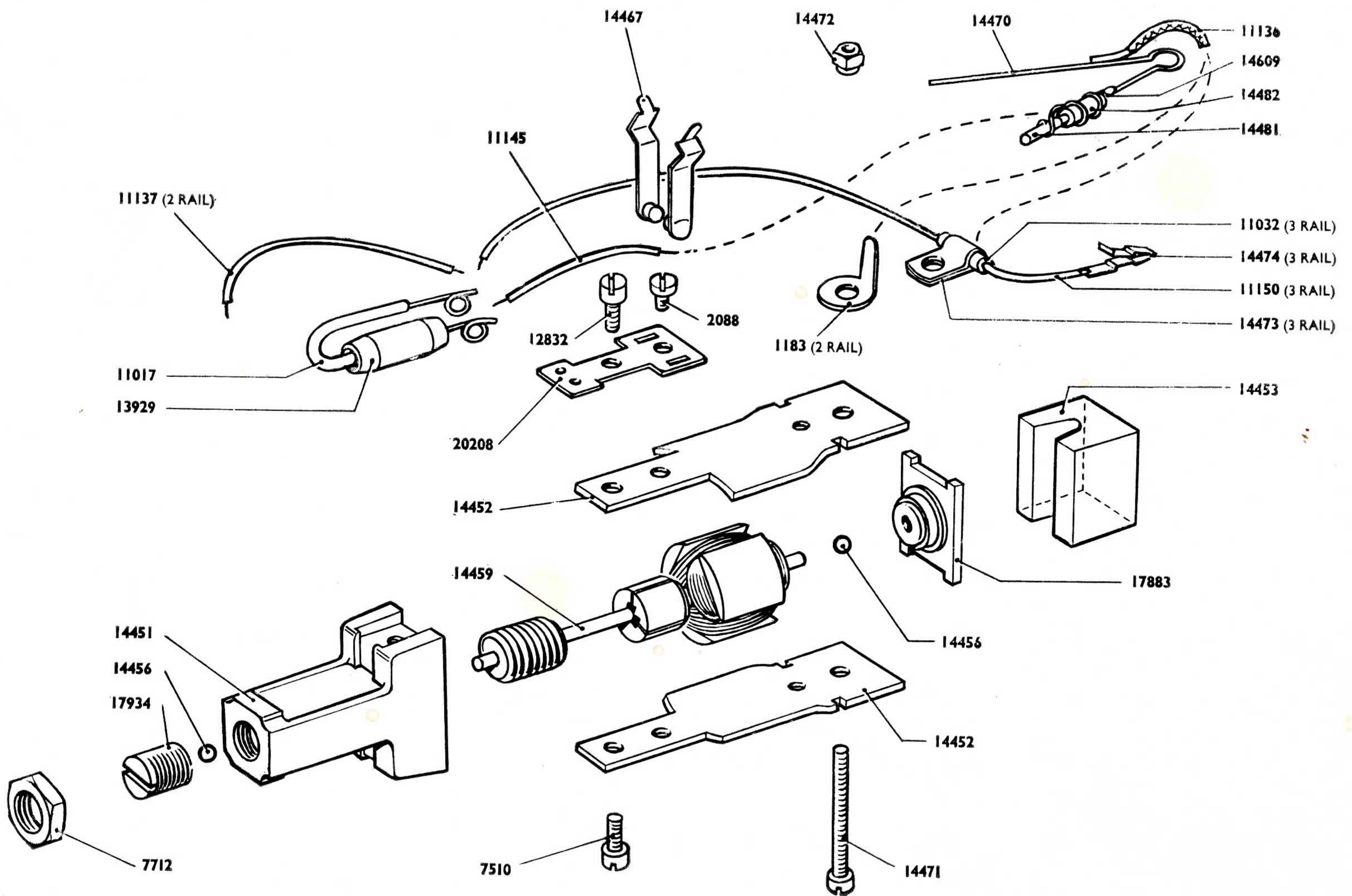


HORNBY-DUBLO 1/2" MOTOR 2 AND 3-RAIL

LOCOMOTIVES Nos. 2206 AND 2207 2-RAIL — LOCOMOTIVES Nos. 3220 AND 3225 3-RAIL



- 2088 Screw
- 7510 Screw
- 7712 Locking Nut
- 11017 P.V.C. Sleeve
- 11136 Tinned Copper Braid
- 11145 Connecting Wire
- 12832 Screw
- 13929 Choke
- 14451 Bearing Casting
- 14452 Pole Piece
- 14453 Magnet
- 14456 Ball Bearing
- 14459 Armature Shaft Assembly
- 14467 Brush Arm Assembly
- 14470 Brush Spring
- 14471 Screw
- 14472 Nut
- 14481 Copper Strip
- 14482 Condenser
- 14609 Cambric Sleeve
- 17883 Fixed Bearing Support Assembly
- 17934 Adjustable Bearing Housing Assembly
- 20208 Insulator for Brush Arms

- 2-RAIL**
- 1183 Soldering Tag
 - 11137 Connecting Wire

- 3-RAIL**
- 11032 P.V.C. Sleeve
 - 11150 Connecting Wire
 - 14473 Clamp for Wire
 - 14474 Plug