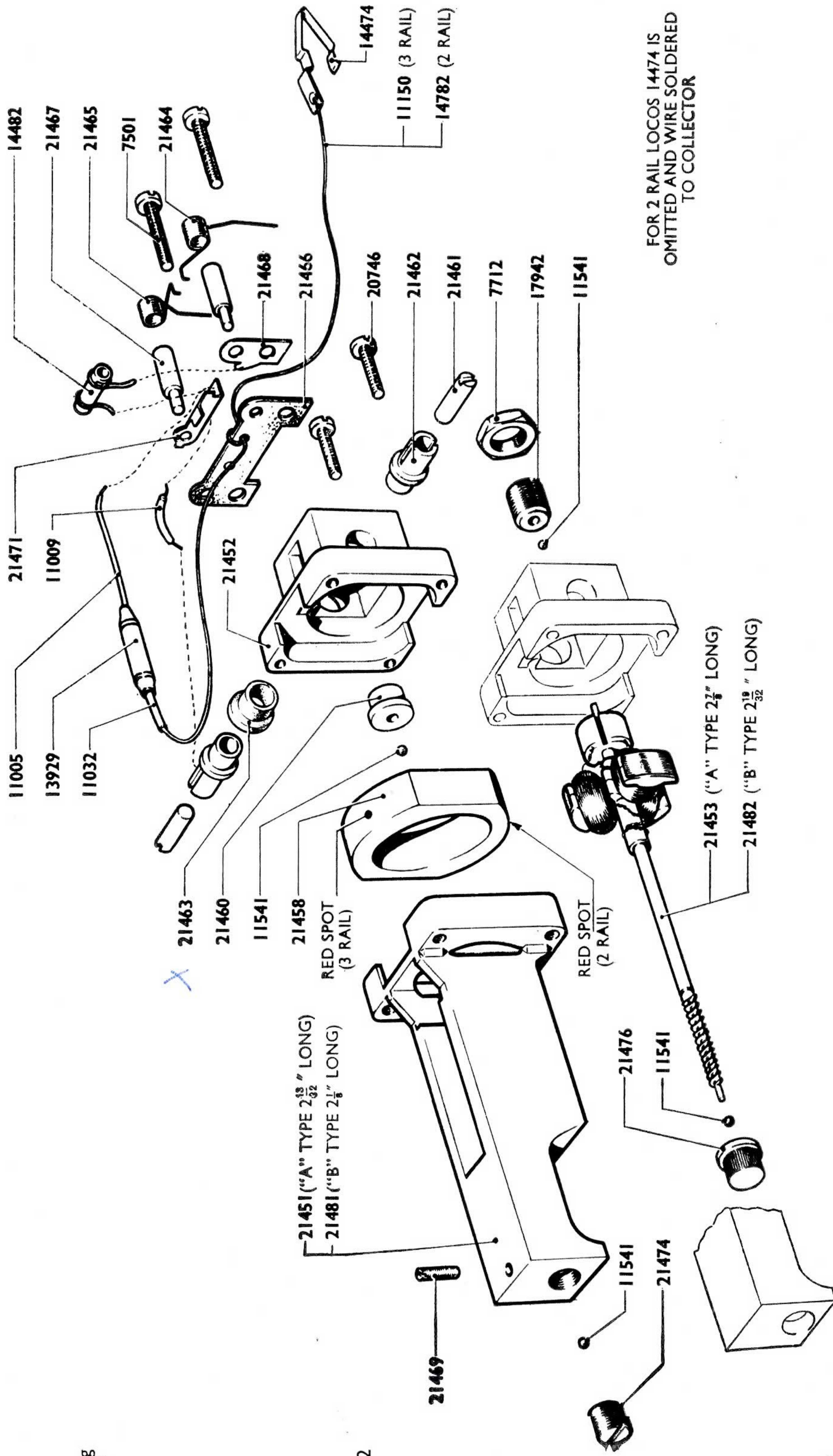


## HORNBY DUBLO <sup>5</sup>/<sub>8</sub>" MOTOR 2 & 3-RAIL—TYPE A. & B. OLD TYPE & NEW

LOCOMOTIVES Nos. 2221, 2224, 2235 2-RAIL—LOCOMOTIVES Nos. 3221, 3224, 3235 3-RAIL



- 7501 Screw
- 7712 Locking Nut
- 11009 P.V.C. Sleeve
- 11541 Ball Bearing
- 17942 Adjustable Bearing Housing Assembly
- 20746 Screw
- 21451 Main Casting (Type 'A')
- 21452 End Casting Assembly
- 21462 Brush Holder (Accommodates Bearing Assembly 17942)
- 21463 Brush Holder (Job No. 18421)
- 21453 Insulator
- 21453 Armature Shaft Assembly—Type 'A'
- 21458 Ring Magnet
- 21461 Brush
- 21464 Brush Spring L.H.
- 21465 Brush Spring R.H.
- 21466 Spring Mounting Plate
- 21467 Spring Mounting Plate Assembly
- 21468 Spring Retaining Pin (Job No. 18353)
- 21471 Contact Piece
- 21476 Soldering Tag
- 21476 Fixed Bearing Housing Assembly
- 21481 Main Casting—Type 'B'
- 21482 Armature Shaft Assembly—Type 'B'

**ON ORIGINAL TYPE MOTORS:—**

- 18422 End Casting Assembly. Was Fitted Instead of 18421
- 21469 Grub Screw
- 21474 Adjustable Bearing Housing Assembly
- 21460 Fixed Bearing. Was fitted Instead of 17942

**2-RAIL**

- 11005 P.V.C. Sleeve
- 11032 P.V.C. Sleeve
- 13929 Choke
- 14482 Condenser
- 14782 Connecting Wire
- 18353 Spring Mounting Plate Assembly

**3-RAIL**

- 11005 P.V.C. Sleeve
- 11032 P.V.C. Sleeve
- 13929 Connecting Wire
- 14482 Choke
- 18353 Condenser
- 14474 Spring Mounting Plate Assembly
- 14474 Plug

**LOCOMOTIVE**

LOCOMOTIVE	MOTOR No.
2-RAIL	
2221 (Castle)	21472 ('A')
2224 (2-8-0)	21473 ('B')
2235 (West Country)	21473 ('B')
3-RAIL	
3221 (Castle)	21450 ('A')
3224 (2-8-0)	21480 ('B')
3235 (West Country)	21473 ('B')