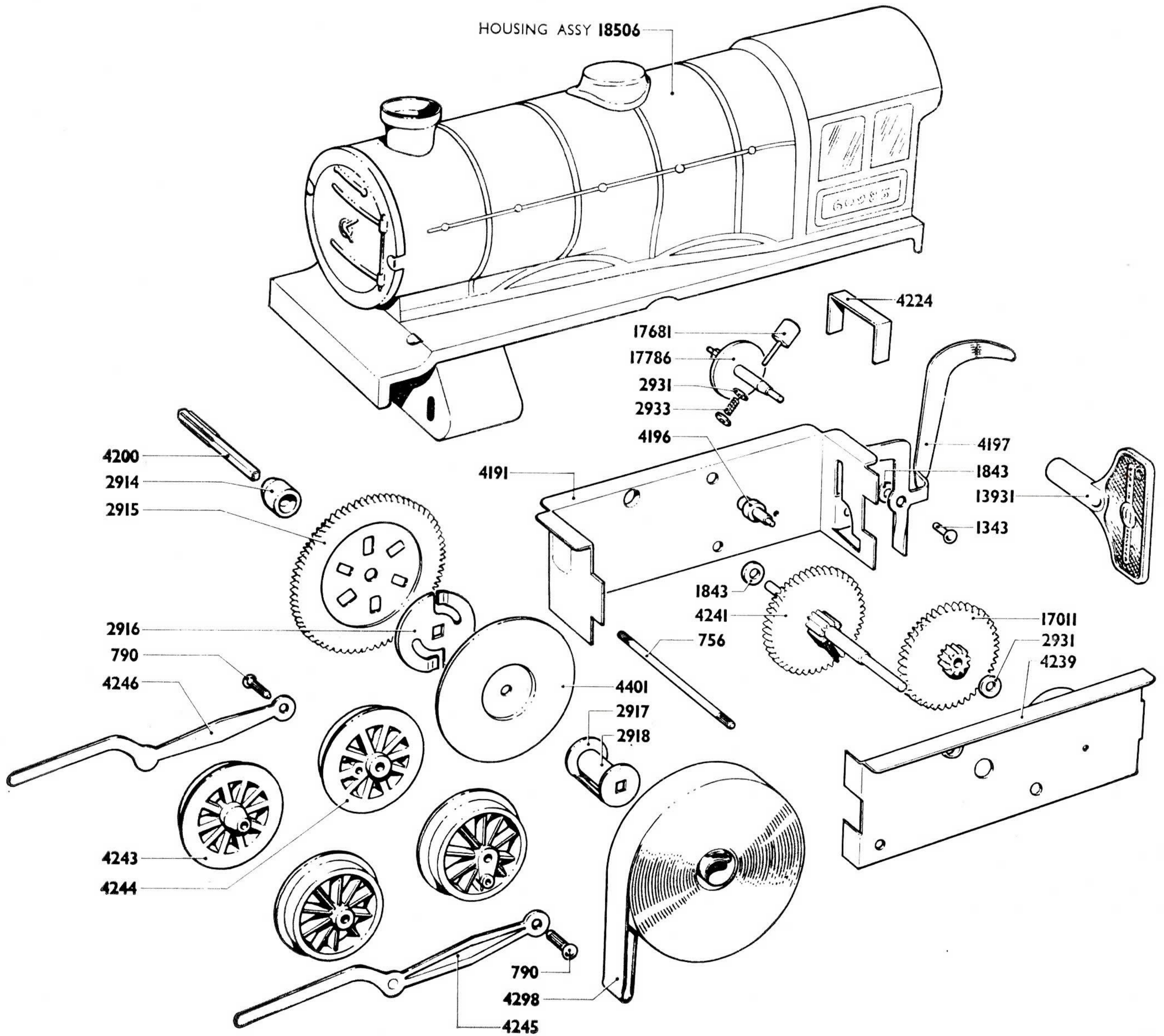


No. 20 CLOCKWORK LOCOMOTIVE



- | | | | |
|-------------------|--|--|--|
| 756 | Axle | | |
| 790 | Pin | | |
| 1343 | Rivet | | |
| 1843 | Washer | | |
| 2931 | Washer | | |
| 4191 | R.H. Sideplate | } R.H. Sideplate
Assembly
Job No. 4237 | |
| 4196 | Gear & Pinion Stud | | |
| 4197 | Brake Lever | | |
| 17011 | No. 2 Gear Assembly | | |
| 2914 | Distance Bush | | |
| 2915 | No. 1 Gear | | |
| 2916 | Ratchet | } No. 1 Shaft
Assembly
Job No. 4240 | |
| 2917 | Spring Catch | | |
| 2918 | Spring Catch Bush | | |
| *4200 | No. 1 Shaft | | |
| 4401 | Spring Shield | | |
| 2931 | Washer | | |
| 2933 | Spring | } Governor
Assembly
Job No.
658 | |
| 17681 | Governor Weight & Pin
Assembly | | |
| 17786 | Pinion & Disc Assembly | | |
| 4224 | Clip | | |
| 4239 | L.H. Sideplate Assembly | | |
| 4241 | No. 3 Gear Assembly | | |
| 4243 | Front Wheel | | |
| 4244 | Rear Wheel | | |
| 4245 | Piston & Coupling Rod—L.H. | | |
| 4246 | Piston & Coupling Rod—R.H. | | |
| 4298 | Mainspring | | |
| 13931 | Winding Key "S" Key—Sales No. 43903 | | |
| | *Job 4200 Used on Original Types Only. | | |
| | Job 708 " " Later " " | | |
| ASSEMBLIES | | | |
| 4190 | No. 20 Motor—Complete | | |
| 18506 | Housing Assembly | | |