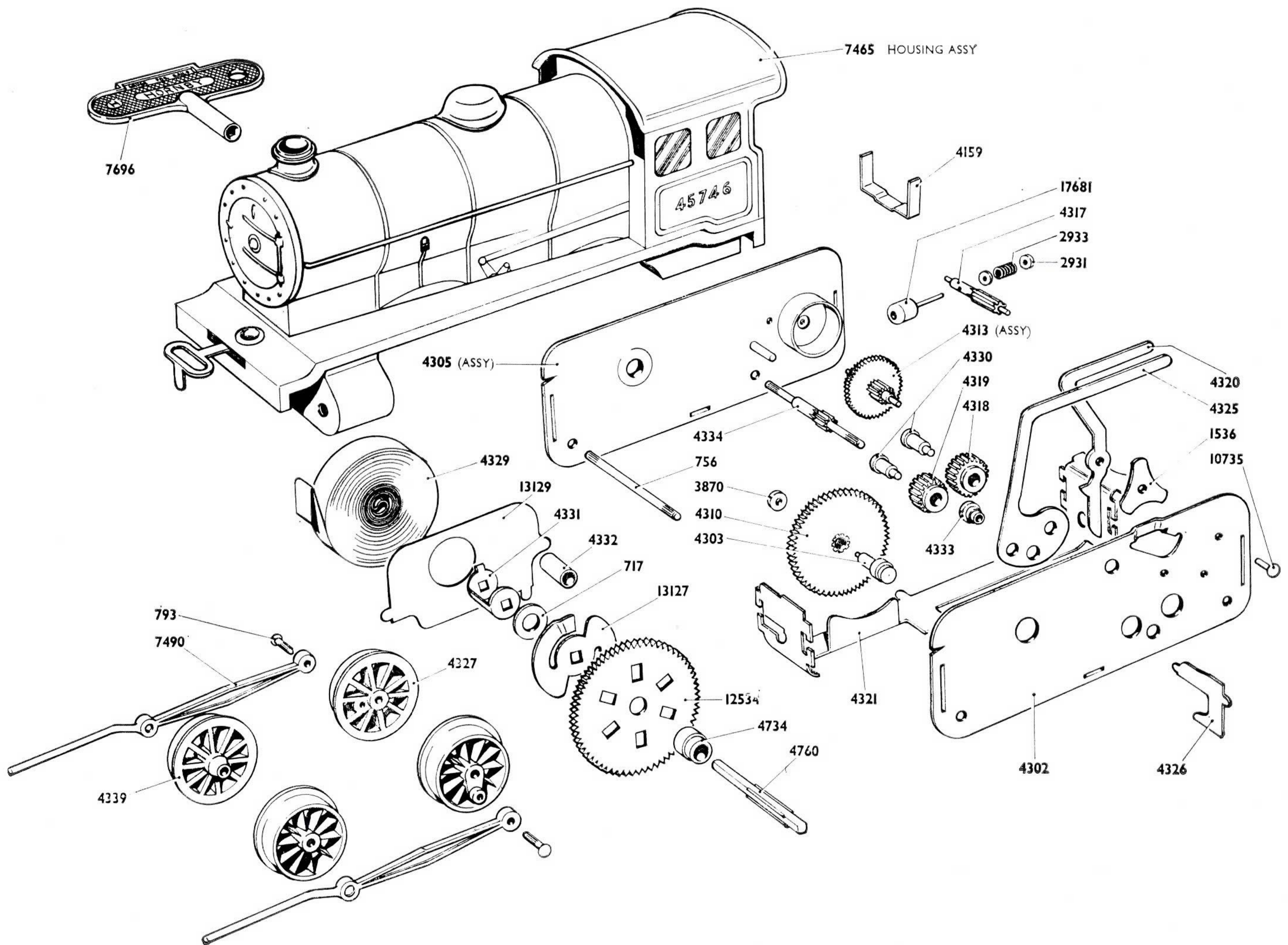


No. 30 CLOCKWORK LOCOMOTIVE



- | | | |
|-------|------------------------------|---|
| 717 | Washer | } No. 1 Gear Assembly
Job No. 4307 |
| 4331 | Catch | |
| 4332 | Bush | |
| 4734 | Distance Bush | |
| 4760 | Winding Shaft | |
| 12534 | No. 1 Gear | } Sideplate & Gear Assembly
Job No. 4300 |
| 13127 | Ratchet | |
| 756 | Axle | |
| 793 | Pin | |
| 1536 | Spring Washer | |
| 3870 | Washer | |
| 4302 | Sideplate (L.H.) | |
| 4303 | Stud | |
| 4310 | No. 2 Gear & Pinion Assembly | |
| 4318 | No. 4 Gear | |
| 4319 | Reversing Pinion | } Governor Assembly
Job No. 4316 |
| 4320 | Brake Lever | |
| 4325 | Reversing Lever | |
| 4330 | Stud | |
| 4333 | Bush | |
| 10735 | Rivet | |

- | | | |
|-------|-------------------------------------|-------------------------------------|
| 2931 | Washer | } Governor Assembly
Job No. 4316 |
| 2933 | Spring | |
| 4317 | Governor Pinion | |
| 17681 | Governor Pin & Weight Assembly | |
| 4159 | Clip | |
| 4305 | Sideplate Assembly (R.H.) | |
| 4313 | No. 3 Gear & Pinion Assembly | |
| 4321 | Support for Sideplate | |
| 4326 | Brake Catch | |
| 4327 | Driving Wheel | |
| 4329 | Mainspring | |
| 4334 | Driving Shaft & Pinion | |
| 4339 | Bogie Wheel | |
| 7490 | Piston & Coupling Rod | |
| 7696 | Winding Key "H" Key—Sales No. 43902 | |
| 13129 | Mainspring Guide | |

ASSEMBLIES

- | | |
|------|-----------------------|
| 4299 | No. 30 Motor—Complete |
|------|-----------------------|