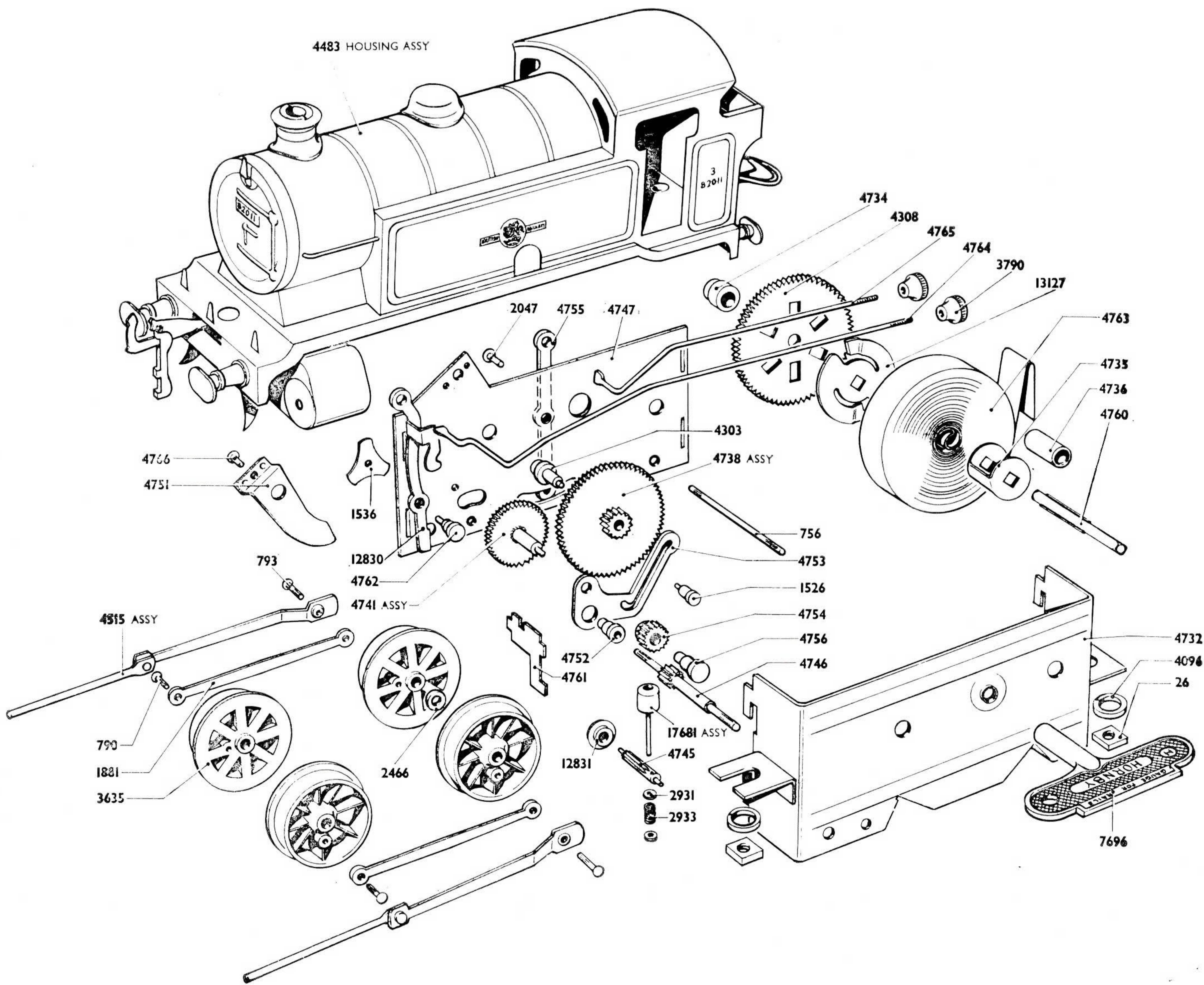


No. 40 CLOCKWORK TANK LOCOMOTIVE



- 26 Nut
- 756 Axle
- 790 Pin
- 793 Pin
- 1526 Stud
- 1536 Spring Washer
- 2047 Rivet
- 4303 Stud
- 4738 No. 2 Gear & Pinion Assembly
- 4747 Sideplate (R.H.)
- 4751 Bracket
- 4752 Bush
- 4753 Reversing Lever
- 4754 Reversing Pinion
- 4755 Control Lever
- 4756 Bearing Stud
- 4762 Fulcrum Pin
- 4766 Rivet
- 12830 Brake Lever
- 1881 Coupling Rod

Sideplate
Assembly
(R.H.)
Job No.
4731

- 2466 Washer
- 2931 Washer
- 2933 Spring
- 4745 Governor Pinion
- 12831 Brake Disc
- 17681 Pin & Weight Assembly
- 3635 Driving Wheel
- 3790 Nut
- 4096 Spring Washer
- 4308 No. 1 Gear Wheel
- 4734 Distance Bush
- 4735 Spring Catch
- 4736 Spring Catch Bush
- 4760 Winding Shaft
- 13127 Ratchet
- 4515 Piston & Connecting Rod Assembly
- 4732 Sideplate Assembly (L.H.)
- 4741 No. 3 Gear & Pinion Assembly
- 4746 Driving Pinion Spindle
- 4761 Brake Catch

Governor
Assembly
Job No. 4744

No. 1
Gear Assembly
Job No. 4733

- 4763 Mainspring
- 4764 Brake Rod
- 4765 Reverse Rod
- 7696 Winding Key "H" Key—Sales No. 43902

ASSEMBLIES

- 4483 Housing Assembly
- 4769 No. 40 Motor—Complete