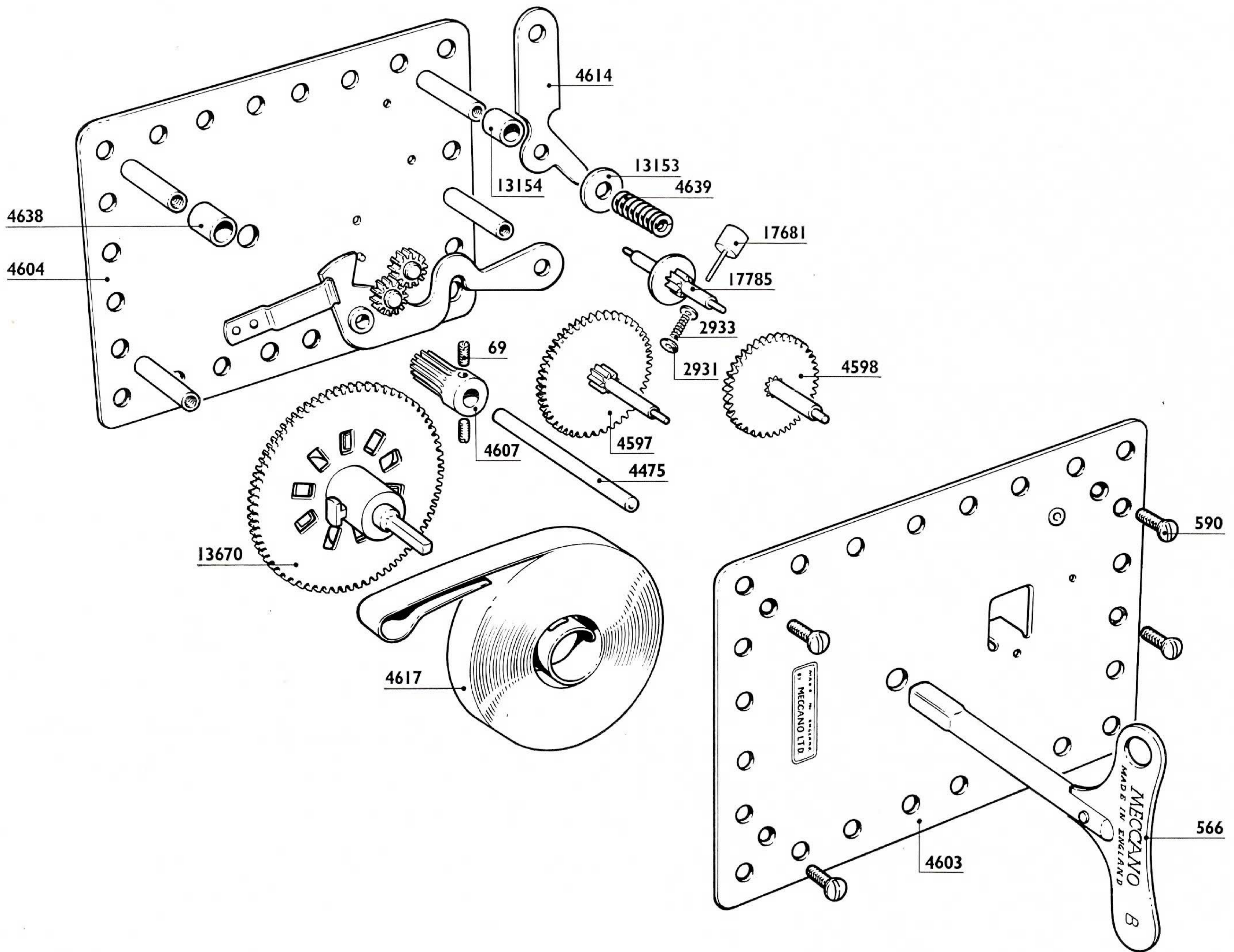


MECCANO No. 1 CLOCKWORK MOTOR



- | | | | | | | | | | | | | | | | |
|-------|--------------------|---------|--------------------------------|--------|--------------------------|---------|-------------------------------|---------|-------------------------------------|---------|----------------------|---------|--|--------|-----------------------------|
| 4600 | Front Plate | } 4603 | Front Plate Assembly | 4601 | Back Plate | } 17784 | } Back Plate and Pin Assembly | } 17783 | } Backplate Spring and Pin Assembly | } 17263 | } Backplate Assembly | } 4604 | } Backplate and Reverse Lever Assembly | | |
| 1120 | Governor Box | | | 4567 | Stop Pin | | | | | | | | | 4625 | Reverse Pinion |
| 1124 | Governor Bush | } 13670 | No. 1 Gear Assembly | 4644 | Spring | } 4626 | } " " Stud | } 4617 | } Mainspring | } 4614 | } Brake Lever | } 13154 | } Sleeve | | |
| 13671 | Winding Shaft | | | 4594 | Rivet | | | | | | | | | 4634 | " " Stud |
| 13672 | No. 1 Gear | } 4597 | No. 2 Gear Assembly | 591 | Pillar | } 4607 | } Driving Pinion | } 4475 | } Driving Spindle | } 590 | } Screw | } 69 | } Grubscrew | } 4638 | } Mainspring Spacing Sleeve |
| 13673 | Ratchet | | | 4598 | No. 3 Gear Assembly | | | | | | | | | | |
| 13674 | Washer | } 566 | Winding Key Assembly | 4634 | " " Stud | } 4603 | } 4603 | } 4603 | } 4603 | } 4603 | } 4603 | } 4603 | } 4603 | } 4603 | } 4603 |
| 13675 | Mainspring Pin | | | 17681 | Pin and Weight Assembly | | | | | | | | | | |
| 4605 | No. 2 Gear | } 17785 | Pinion Shaft and Disc Assembly | 4617 | Mainspring | } 4603 | } 4603 | } 4603 | } 4603 | } 4603 | } 4603 | } 4603 | } 4603 | } 4603 | } 4603 |
| 4608 | No. 2 Pinion Shaft | | | } 4599 | Governor Pinion Assembly | | | | | | | | | | |
| 4606 | No. 3 Gear | } 4603 | Governor Pinion Assembly | | | 4614 | Brake Lever | } 4603 | } 4603 | } 4603 | } 4603 | } 4603 | } 4603 | } 4603 | } 4603 |
| 4609 | No. 3 Pinion Shaft | | | } 4603 | Governor Pinion Assembly | 13154 | Sleeve | | | | | | | | |
| 553 | Handle | } 4603 | Governor Pinion Assembly | | | 4639 | Brake Lever Spring | } 4603 | } 4603 | } 4603 | } 4603 | } 4603 | } 4603 | } 4603 | } 4603 |
| 556 | Barrel | | | } 4603 | Governor Pinion Assembly | 4607 | Driving Pinion | | | | | | | | |
| 557 | Rivet | } 4603 | Governor Pinion Assembly | | | 4475 | Driving Spindle | } 4603 | } 4603 | } 4603 | } 4603 | } 4603 | } 4603 | } 4603 | } 4603 |
| 1806 | Weight | | | } 4603 | Governor Pinion Assembly | 590 | Screw | | | | | | | | |
| 1808 | Pin | } 4603 | Governor Pinion Assembly | | | 69 | Grubscrew | } 4603 | } 4603 | } 4603 | } 4603 | } 4603 | } 4603 | } 4603 | } 4603 |
| 4610 | Pinion Shaft | | | } 4603 | Governor Pinion Assembly | 4638 | Mainspring Spacing Sleeve | | | | | | | | |
| 4616 | Brake Disc | } 4603 | Governor Pinion Assembly | | | 13153 | Washer | } 4603 | } 4603 | } 4603 | } 4603 | } 4603 | } 4603 | } 4603 | } 4603 |
| 2931 | Washer | | | } 4603 | Governor Pinion Assembly | | | | | | | | | | |
| 2933 | Spring | } 4603 | Governor Pinion Assembly | | | | | } 4603 | } 4603 | } 4603 | } 4603 | } 4603 | } 4603 | } 4603 | } 4603 |