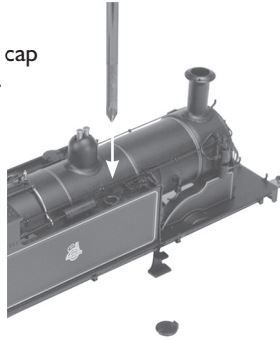


# 0-4-4T CLASS M7

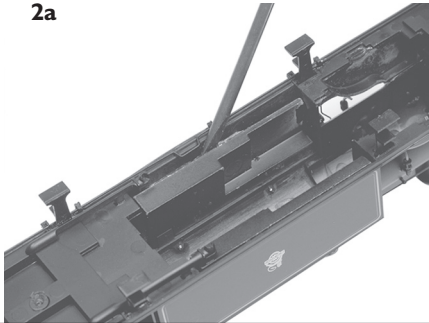
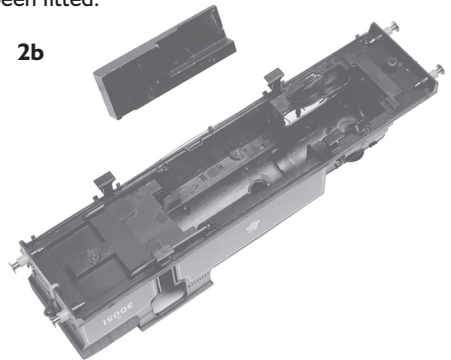
## FITTING A DECODER

**Fig.1**

(Chassis removed). Gently ease off the filler cap with fingers to reveal screw. Remove screw.

**Figs.2a and 2b**

(a) Turn the locomotive body upside down and using a flat-blade screwdriver, gently prise the weight, (which is held in place by double-sided tape), from the side and remove (b). The weight cannot be replaced once a decoder has been fitted.

**2a****2b****Fig.3**

Fit decoder in position shown using thin double-sided adhesive pad or similar to hold in place. Connect to the socket located on the loco chassis. Re-assemble the locomotive, remembering to replace the screw and filler cap removed in Fig. 1.

