

# OPERATING MAIL COACH

The Hornby Operating Mail Coach Set enables mail bags to be automatically collected from outlying locations and delivered to another site.

Read carefully through the following instructions before setting up the trackside accessories.

**IMPORTANT** – Remove the two transit clips from the underneath of the coach chassis before operating the Mail Coach Set.

1. The Pick-up Hook and Receiving Bin units have bases which "clip-fit" to the track. Fit a set of prongs to each base (Fig.1). The bases can then be fitted to the track by inserting the prongs into the side slots between the underside of the rails and the track base (Fig.1a). The positions of the slots are indicated by arrows embossed on the underside of the track (Fig.1b).

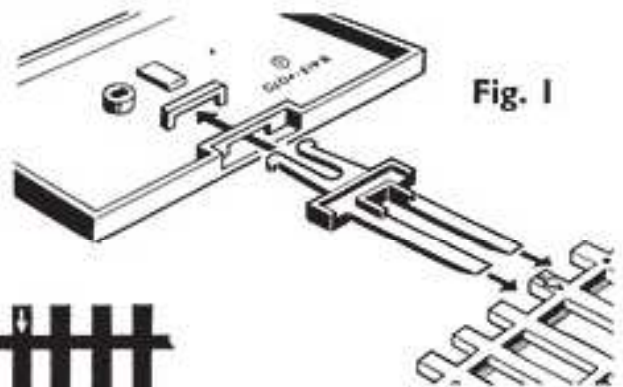


Fig. 1

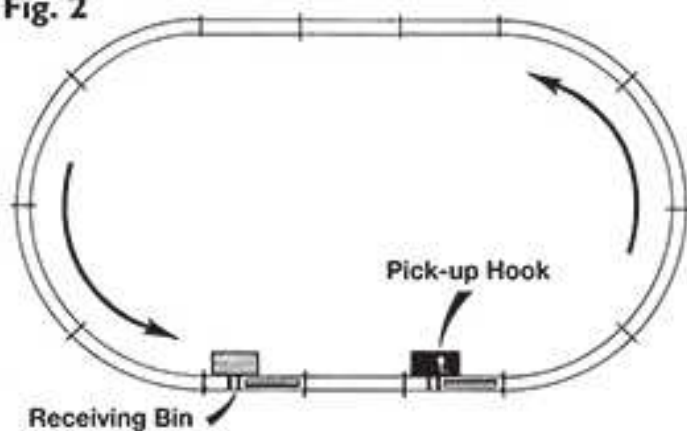


Fig. 1b



Fig. 1a

Fig. 2



2. The track plan in Fig.2 shows a train operating on a simple oval in an anti-clockwise direction and it is suggested that the layout is arranged in this way initially.

3. Fit the pick-up hook base to the track in the position shown in Fig.2. Fit one operating ramp between the track rails so that the raised side of the ramp section is to the **left** of the approaching train, and its relation to the pick-up base is exactly as shown in Fig.3. Press the ramp firmly down so that the two small clips on its underside grip the track sleepers. **Make sure that the sprung section is free to rise and fall easily.** Fit the pick-up hook post and ladder onto the base as shown in Fig.3.

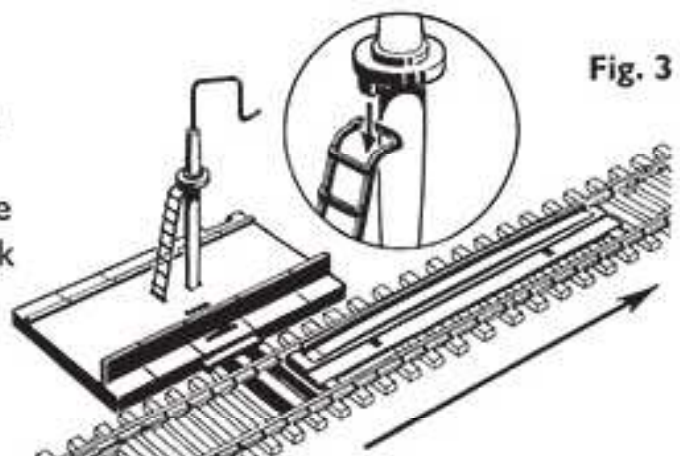


Fig. 3

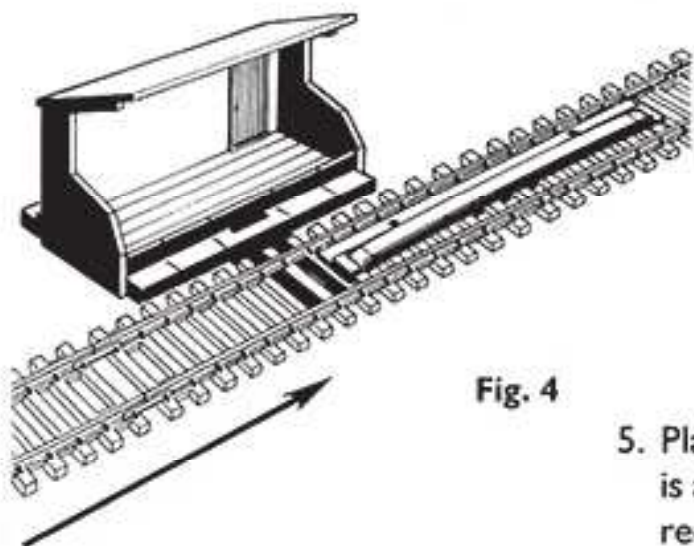


Fig. 4

4. Fit the receiving bin base to the track in the position shown in Fig.2. Fit the second ramp with the raised side of the the ramp section to the **right** of an approaching train and located relative to the base as illustrated in Fig.4.

5. Place the receiving bin in position on the base. It is a loose fit so that it can be lifted off the base to recover the mail bags.

Assemble the train on the track so that the operating flaps on the coach are to the rear. The coach may be placed in any position in a train. Hang a mail bag on the pick-up hook and make sure that the hook is set square to the track, with the extreme end of the hook pointing in the direction the train will travel (Fig.5).

The train should be running at about half speed when passing the pick-up hook and receiving bin units. The mail bag will be automatically collected from the pick-up hook, retained inside the coach, and then ejected into the receiving bin.

As soon as the bag has been collected, another may be placed on the hook for collection by the train on its next journey.

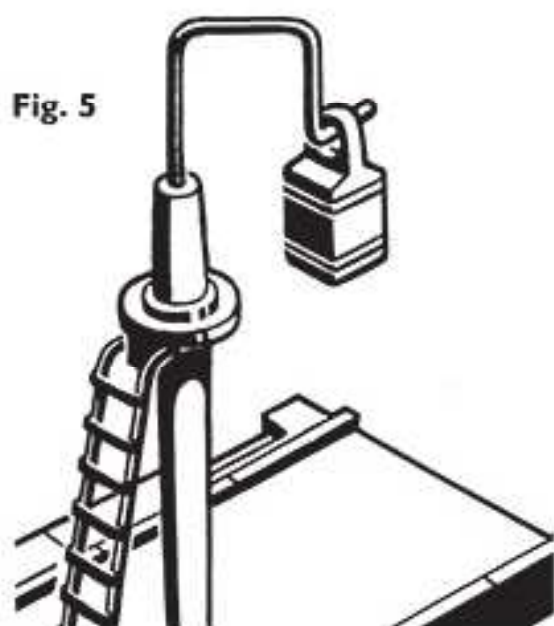


Fig. 5

### Safety Notes

**Warning** Not suitable for children under 36 months. It contains small parts which can present a choking hazard.

Some components have functional sharp points and edges - Handle with care.

- misuse of a transformer can cause electrical shock.
- misuse of the product may result in hot surfaces.

- This product is intended for indoor use only.
- The transformer is not a toy. It is a "Transformer for Toys". Before use, check that the transformer is the correct voltage for your mains electricity supply. This product should only be used with the transformer for toys included in this set. The transformer should be examined regularly for damage to the casing, plug pins and cables. **In the event of such damage, the set should not be used until the transformer is replaced with a new Hornby recommended unit. Never attempt to open the transformer yourself.**
- Refer to the label on the transformer included in this set for the

transformer model number.

- This set must not be connected to more than the recommended number of power supplies. The output terminals of the transformer must not be connected directly, or indirectly, to the output of any other AC circuit derived from a transformer or mains power supply.
- Use only as indicated in the instructions. Do not modify or change any part of the set. Modification may damage the set and invalidate the warranty claim. Use only genuine Hornby spares and accessories available from your retailer or [www.hornby.com](http://www.hornby.com).
- Before cleaning any part, disconnect the transformer from the mains electricity supply. **Do not use liquid for cleaning.**
- Please retain these details and the address for future reference.
- Do not press and hold the train onto the track during operation so that the wheels are jammed. This will cause overheating of the motor.



Official Product

Hornby Hobbies Limited, 3rd Floor, The Gateway, Discovery Park, Sandwich, CT13 9FF. UK.

4/206i

Tel: +44 (0)1843 233525 [www.hornby.com](http://www.hornby.com)

Printed in China