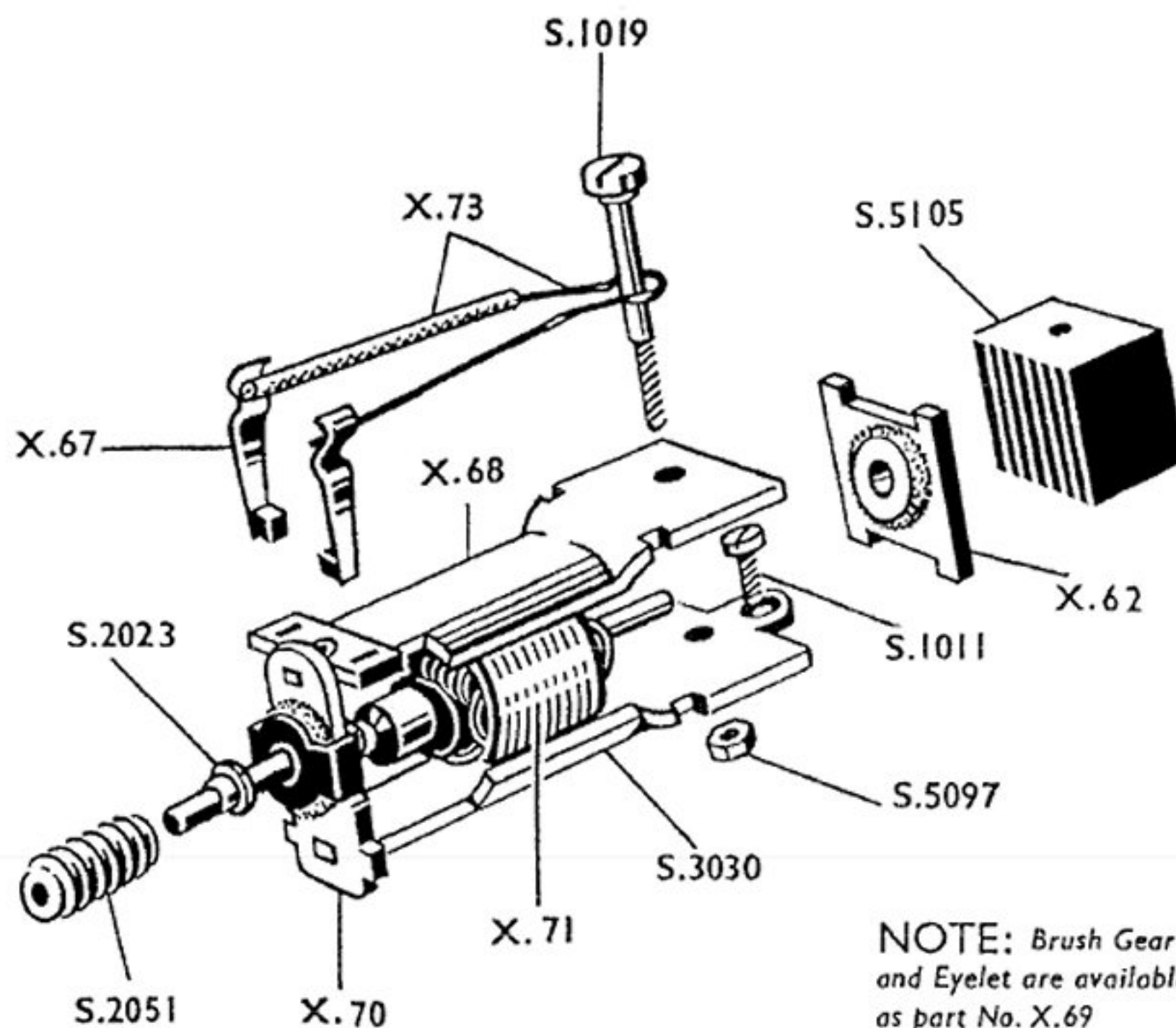


MARK IV MOTOR

For R.50, R.52, R.53, R.54, R.56, R.59, R.150, R.152, R.153,
R.251, R.254, R.258, R.259, R.350, R.355, R.356, R.358, R.559, R.653



NOTE: Brush Gear Diaphragm and Eyelet are available separately as part No. X.69

X.04

X.04	Complete Motor
X.62	Back Plate and Bearing
X.67	Brush Arm and Brush
X.68	Top Pole Piece with Diaphragm
X.69	Diaphragm and Eyelet (Illustrated as part of X.68)
X.70	Front Plate and Bearing
X.71	Armature and Commutator
X.73	Brush Spring and Insulator
S.1011	Motor Securing Screw
S.1019	Magnet Screw
S.2023	Thrust Bush
S.2051	Two-start Worm
S.3030	Bottom Pole Piece
S.5097	Magnet Nut
S.5105	Magnet

Modifications are made to Tri-ang Railways models from time to time. If a spare part is required which does not coincide with the illustration, a full description should be given and, if necessary, a sketch or sample should accompany the order.

REVISED MAY 1963

