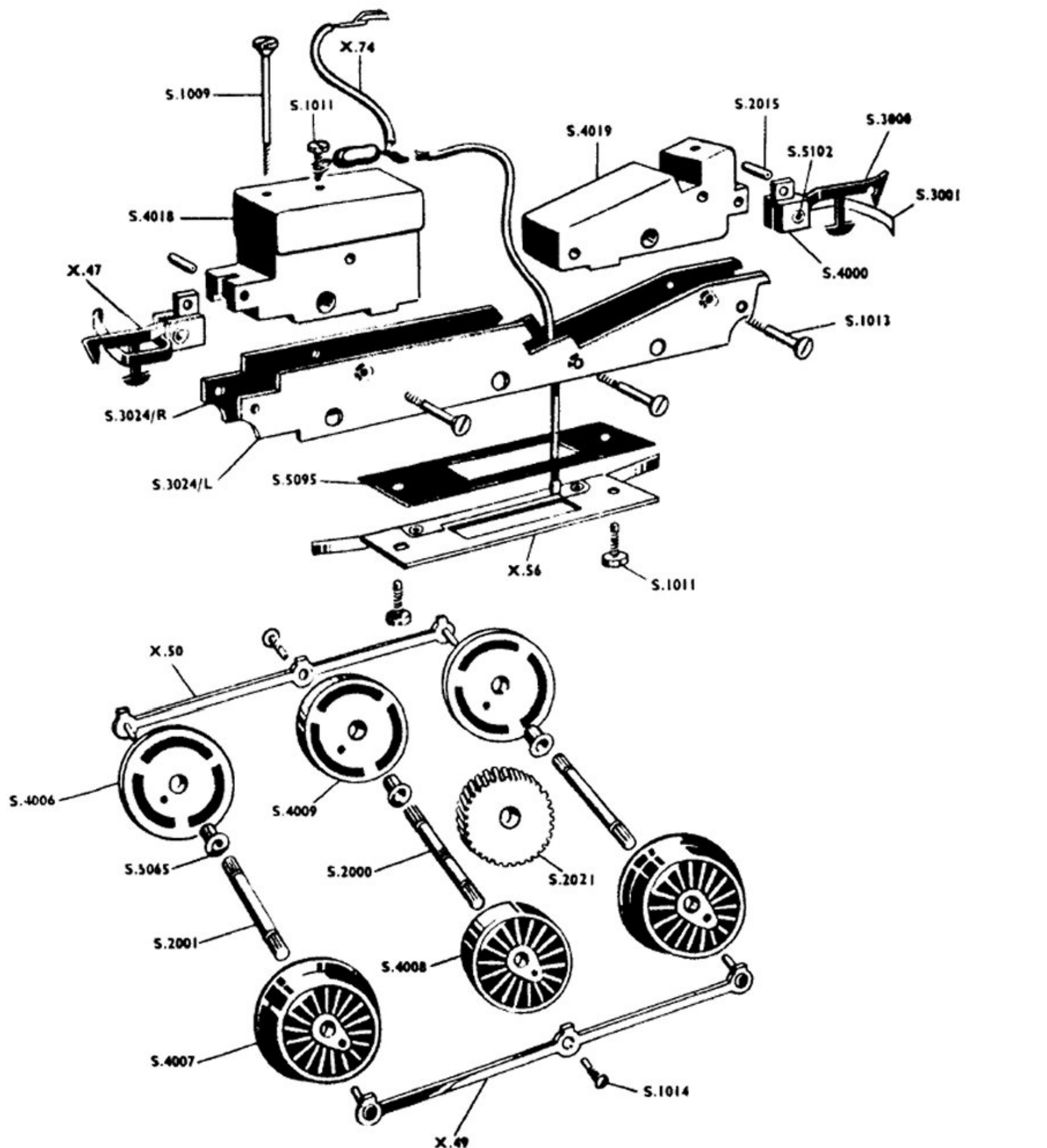


CHASSIS—R.52, R.152, R.153



- | | | |
|-------------------------------------------------|-----------------------------------------------------------------------|-----------------------------------------------------|
| S.3024/L Left Main Frame | S.2000 Knurled Driving Axle | S.1009 Body/Chassis Securing Screw |
| S.3024/R Right Main Frame | S.2001 Plain Driving Axle | S.1013 Main Frame Screw |
| S.4018 Front Weight | S.2021 Worm Wheel | S.3000 Coupling Hook |
| S.4019 Rear Weight | X.49 Left Coupling Rod with pins | S.3001 Coupling Bar |
| S.4006 Flanged Bushed Driving Wheel | X.50 Right Coupling Rod with pins | S.4000 Coupling Adaptor |
| S.4007 Flanged Unbushed Driving Wheel | S.1014 Coupling Rod Screw | S.2015 Coupling Adaptor Pin |
| S.4008 Flangeless Unbushed Driving Wheel | X.56 Collector Arm and Fibre with lead | S.5102 Coupling Eyelet |
| S.4009 Flangeless Bushed Driving Wheel | S.5095 Collector Insulator | X.47 Coupling Unit (complete) |
| S.5065 Insulating Bush | S.1011 Securing Screw for Collector, Motor and T.V. Suppressor | X.74 T.V. Suppressor with lead and brush tag |

For Motor see Servicing Sheet No. 1.

PRINTED IN ENGLAND



ROVEX SCALE MODELS LIMITED
WESTWOOD, MARGATE, KENT, ENGLAND
A Member of the Lines Bros. Group of Companies

SERVICING SHEET
No. 2
Issued November, 1955