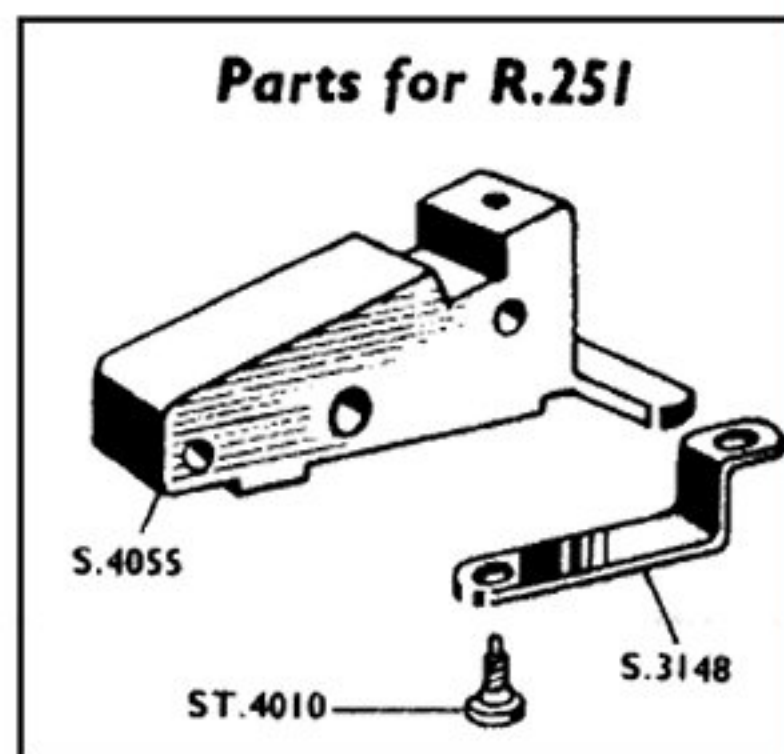
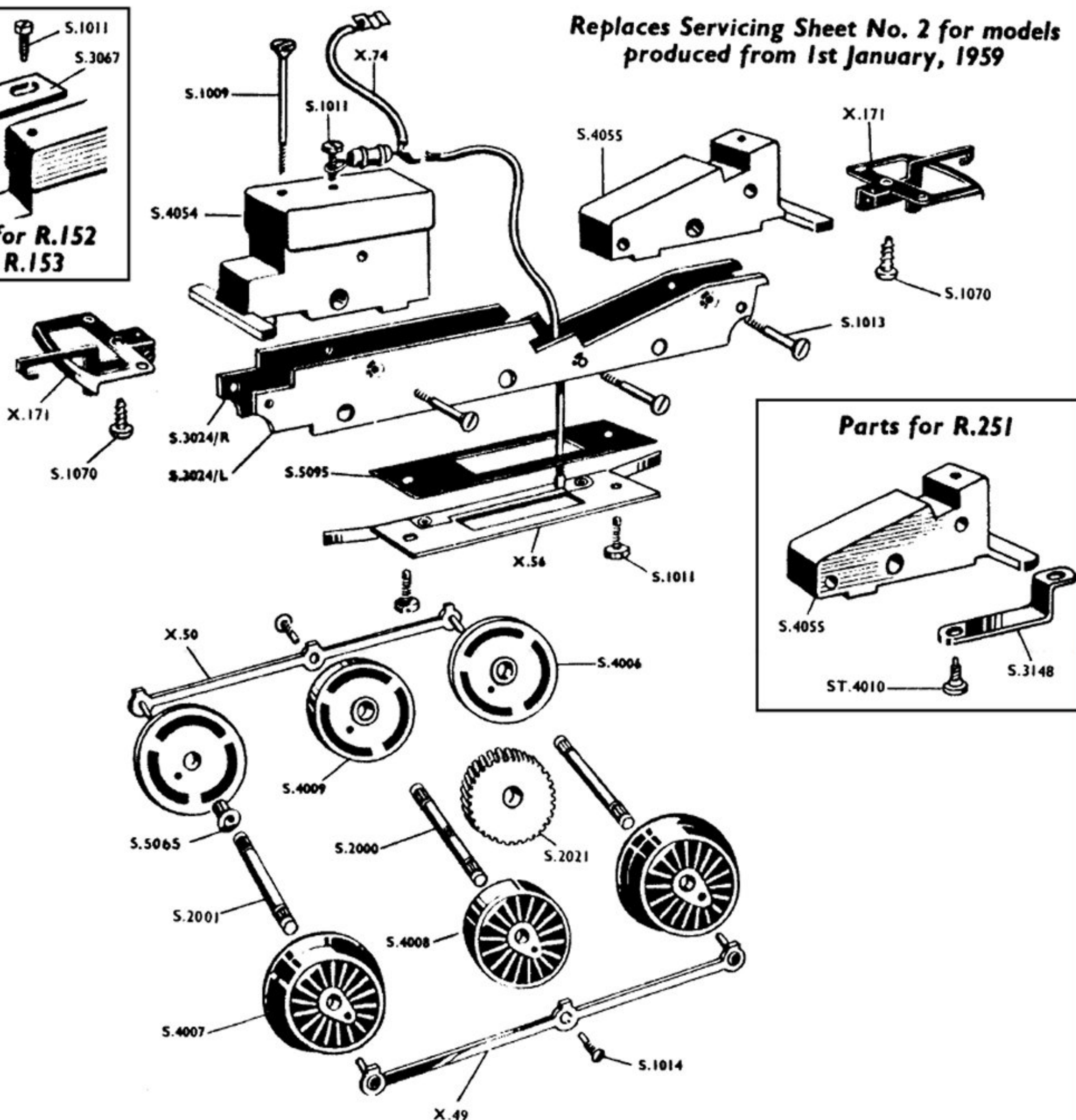
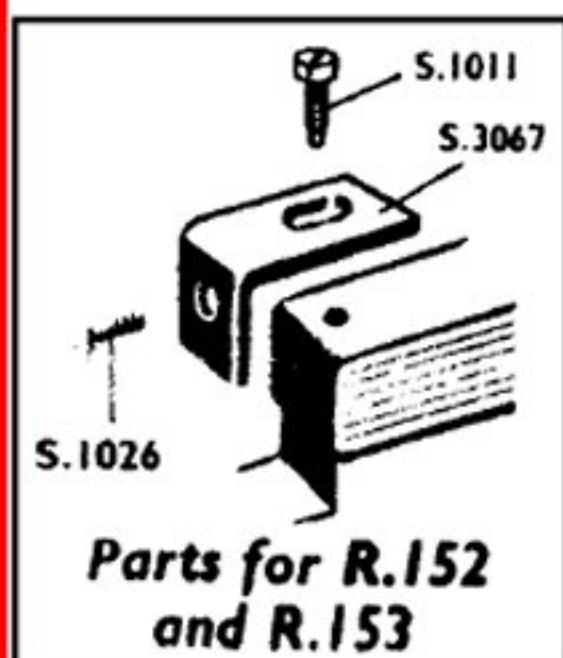


CHASSIS R.52, R.152, R.153, R.251

Replaces Servicing Sheet No. 2 for models produced from 1st January, 1959



- | | | |
|--|--|---|
| X.49 Coupling Rod with Pins (L H) | S.1014 Coupling Rod Screw | S.4007 Flanged Unbushed Driving Wheel |
| X.50 Coupling Rod with Pins (R H) | S.1026 Body Securing Screw for R.152, R.153 | S.4008 Flangeless Unbushed Driving Wheel |
| X.56 Collector Arm and Fibre with Lead | S.1070 Coupling Screw ($\frac{1}{16}$ ") | S.4009 Flangeless Bushed Driving Wheel |
| X.74 T.V. Suppressor with lead and brush clip | S.2000 Knurled Driving Axle | S.4054 Front Weight |
| X.171 Mk. 3 Coupling Unit | S.2001 Plain Driving Axle | S.4055 Rear Weight |
| S.1009 Body Securing Screw for R.52, R.251 | S.2021 Worm Wheel (40 Teeth) | S.5065 Insulating Bush |
| S.1011 Standard Screw | S.3024/L Main Frame (L/H) | S.5095 Collector Insulator |
| S.1013 Main Frame Screw | S.3024/R Main Frame (R/H) | ST.4010 Drawbar Screw for R.251 |
| | S.3067 Body Bracket for R.152, R.153 | |
| | S.3148 Drawbar | |
| | S.4006 Flanged Bushed Driving Wheel | |

For Motor see Servicing Sheet No. 1

PRINTED IN ENGLAND



ROVEX SCALE MODELS LIMITED
WESTWOOD, MARGATE, KENT, ENGLAND
A Member of the Lines Bros. Group of Companies

SERVICING SHEET
No. 2a
Issued January, 1960