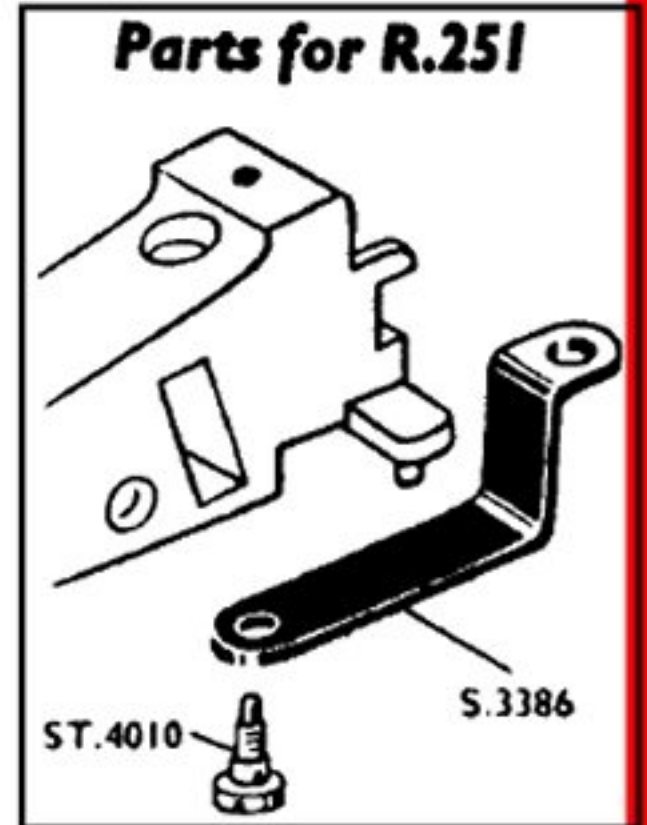
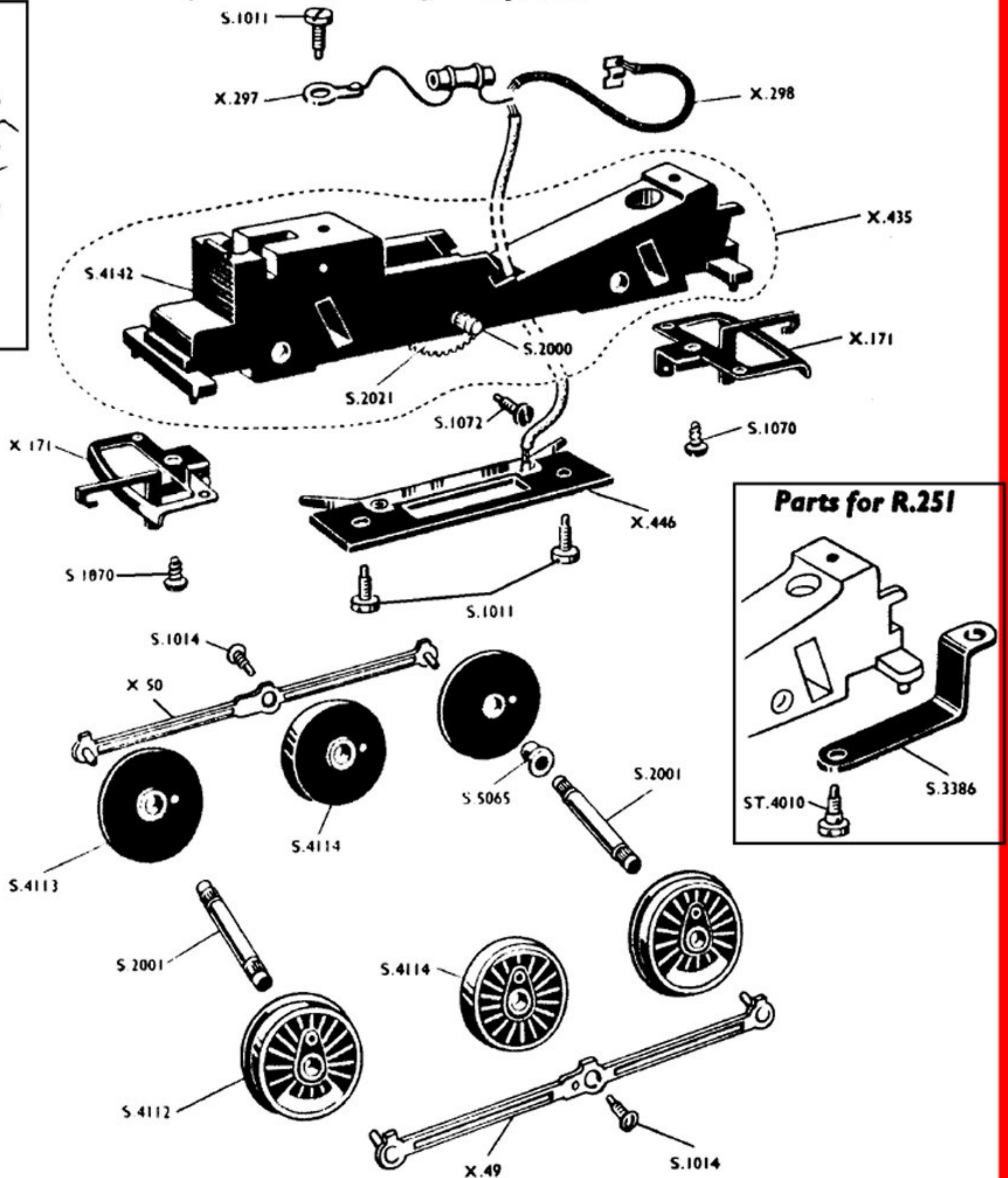
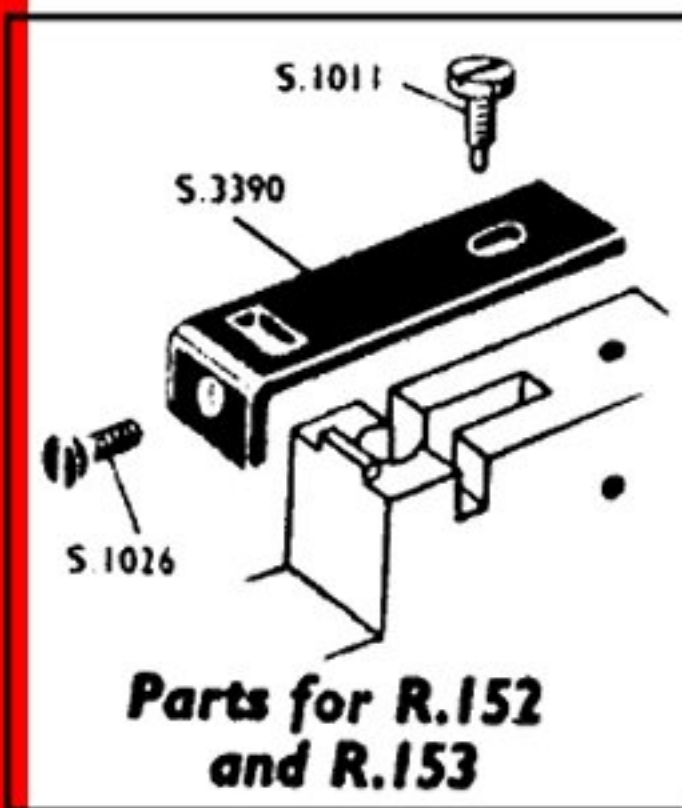


## CHASSIS R.52, R.152, R.153, R.251

As produced after 1st January, 1961



- |   |  |   |
|---|--|---|
| <b>X.49</b> Coupling Rod with Pins (L/H)                          | <b>S.1014</b> Coupling Rod Screw                   | <b>S.3390</b> Body Bracket for R.152, R.153   |
| <b>X.50</b> Coupling Rod with Pins (R/H)                          | <b>S.1026</b> Body Securing Screw for R.152, R.153 | <b>S.4112</b> Flanged Unbushed Driving Wheel  |
| <b>X.171</b> Mk. 3 Coupling Unit                                  | <b>S.1070</b> Coupling Screw ( $\frac{3}{16}$ " )  | <b>S.4113</b> Flanged Bushed Driving Wheel    |
| <b>X.297</b> T.V. Suppressor and Tag Washer                       | <b>S.1072</b> Body Securing Screw for R.52, R.251  | <b>S.4114</b> Flangeless Bushed Driving Wheel |
| <b>X.298</b> Brush Lead and Clip                                  | <b>S.2000</b> Knurled Driving Axle                 | <b>S.4142</b> Chassis Casting                 |
| <b>X.435</b> Chassis Assembly (comprising S.2000, S.2021, S.4142) | <b>S.2001</b> Plain Driving Axle                   | <b>S.5065</b> Insulating Bush                 |
| <b>X.446</b> Collector Assembly with Lead                         | <b>S.2021</b> Worm Wheel (40 Teeth)                | <b>ST.4010</b> Drawbar Screw for R.251        |
| <b>S.1011</b> Standard Screw                                      | <b>S.3386</b> Drawbar                              |   |

For Motor see Servicing Sheet No. 1.

Modifications are made to Tri-ang Railways models from time to time. If a spare part is required which does not coincide with the illustration, a full description should be given and, if necessary, a sketch or sample should accompany the order.

PRINTED IN ENGLAND



**ROVEX SCALE MODELS LIMITED**  
WESTWOOD, MARGATE, KENT, ENGLAND  
A Member of the Lines Bros. Group of Companies

**SERVICING SHEET**  
No. 2b  
Issued May, 1961