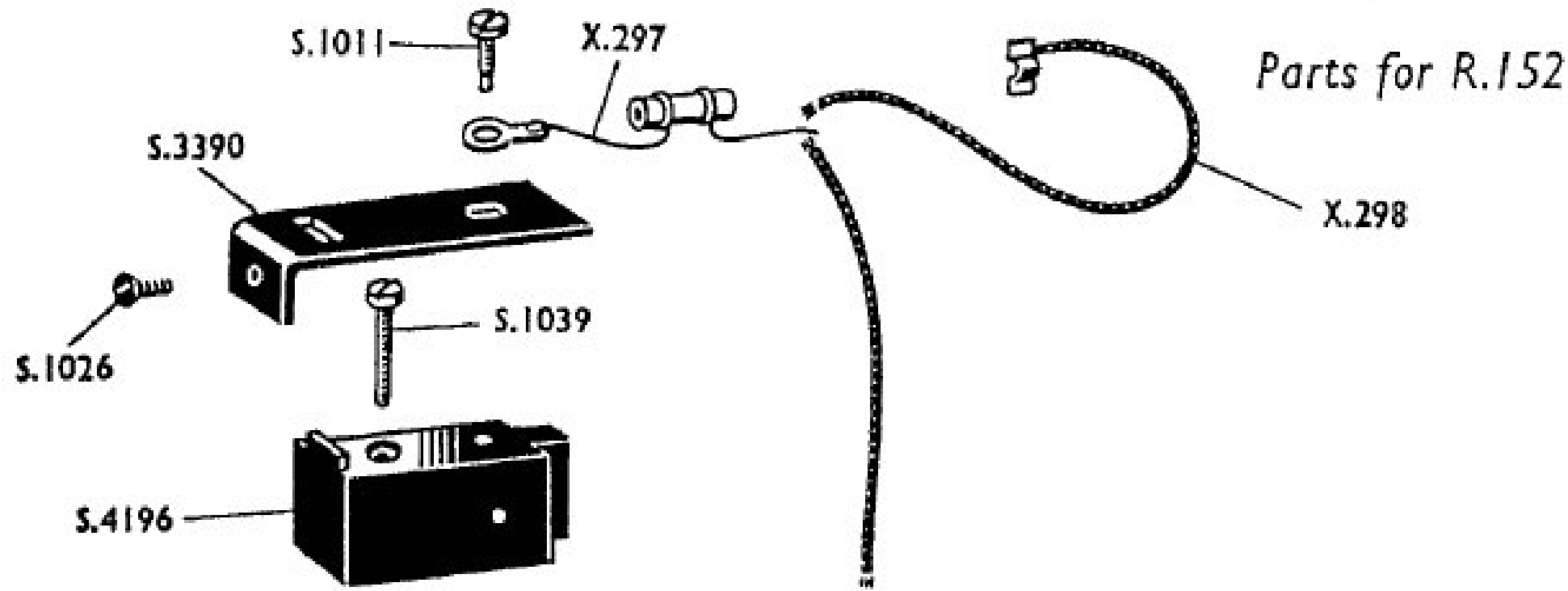
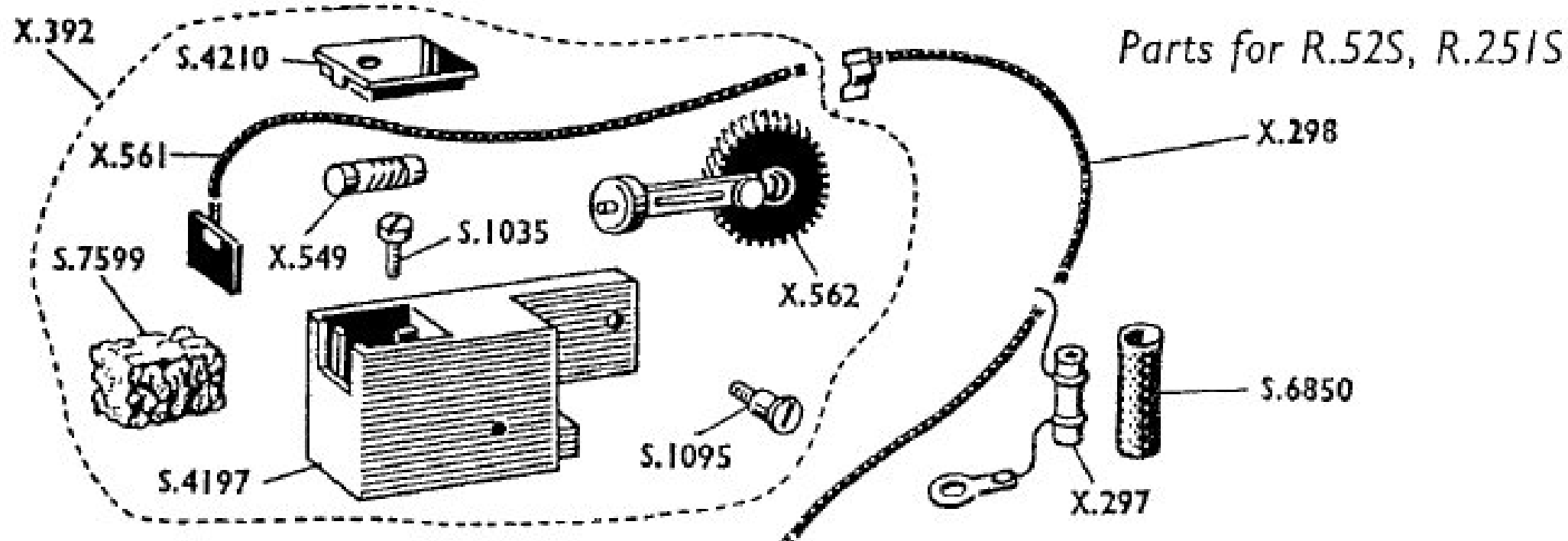
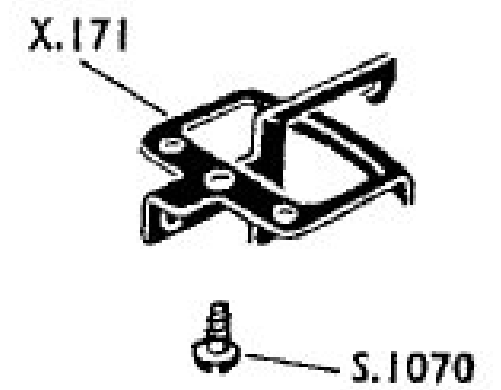


CHASSIS R.52S, R.152, R.25IS

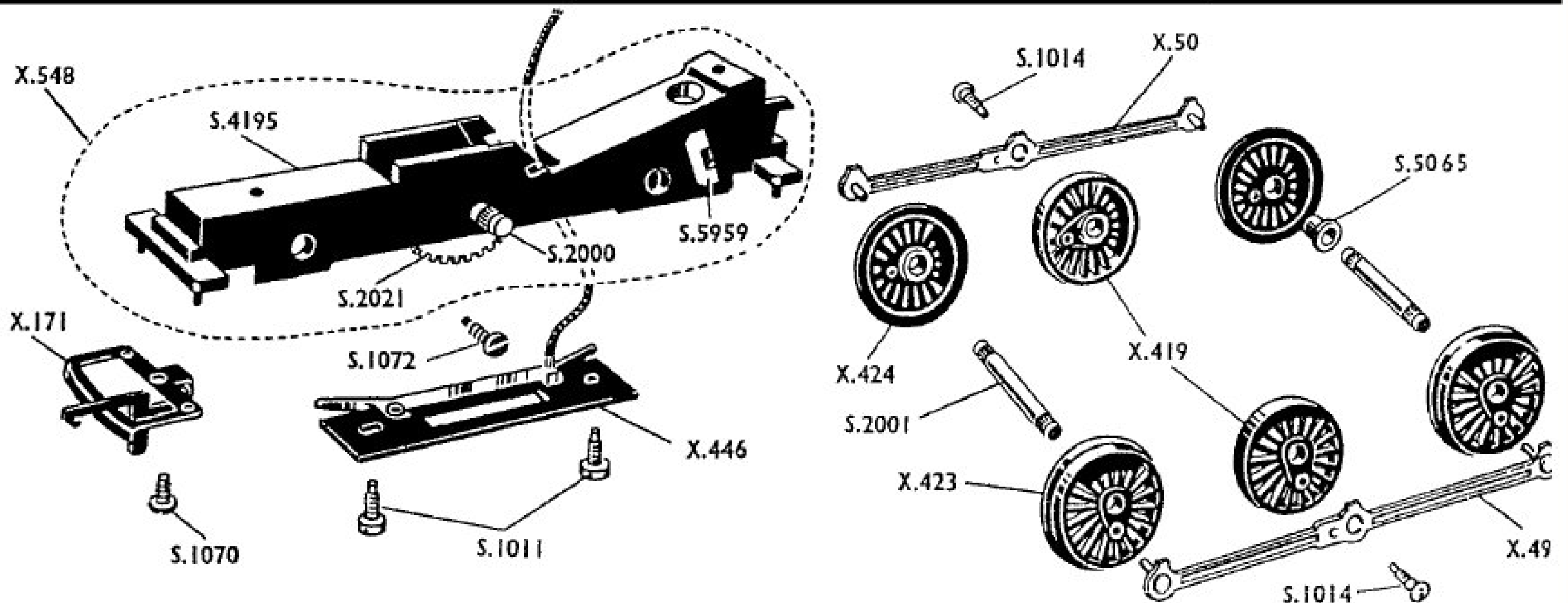
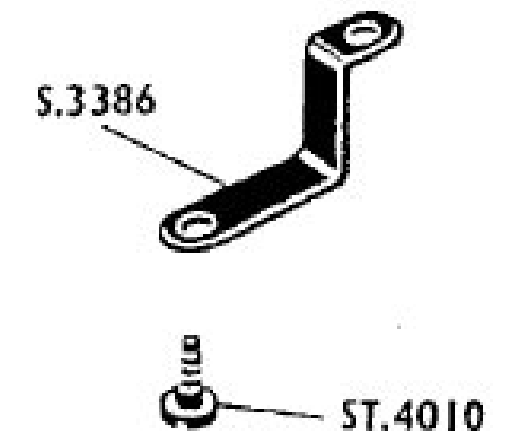
As produced after 1st January, 1964



Rear Coupling
for R.52S, R.152



Rear Coupling
for R.25IS



- X.49 Coupling Rod with Pins (L/H)
- X.50 Coupling Rod with Pins (R/H)
- X.171 Mk. 3 Coupling Unit
- X.297 T.V. Suppressor and Tag Washer
- X.298 Brush Lead and Clip
- X.392 Synchro-smoke unit Type 2
- X.419 Flangeless Bushed Driving Wheel
- X.423 Flanged Unbushed Driving Wheel
- X.424 Flanged Bushed Driving Wheel
- X.446 Collector Assembly with Lead
- X.548 Chassis Assembly (comprising S.2000, S.2021, S.4195, S.5959)

- X.549 Element
- X.561 Element Contact and Lead Assembly
- X.562 Worm Wheel and Piston Assembly
- S.1011 Standard Screw
- S.1014 Coupling Rod Screw
- S.1026 Body Securing Screw for R.152
- S.1035 Smoke Unit Securing Screw
- S.1039 Weight Securing Screw
- S.1070 Coupling Screw (1/8")
- S.1072 Body Securing Screw for R.52S, R.25IS
- S.1095 Pivot Screw
- S.2000 Knurled Driving Axle

- S.2001 Plain Driving Axle
- S.2021 Worm Wheel (40 teeth)
- S.3386 Drawbar
- S.3390 Body Bracket for R.152
- S.4195 Chassis Casting
- S.4196 Chassis Weight
- S.4197 Smoke Unit Casting
- S.4210 Cover Plate
- S.5065 Insulating Bush
- S.5959 Traction Magnet
- S.6850 Insulating Sleeve
- S.7599 Fibre Wad
- ST.4010 Drawbar Screw for R.25IS

For Motor see Servicing Sheet No. 1

Modifications are made to Triang Railways models from time to time. If a spare part is required which does not coincide with the illustration, a full description should be given and, if necessary, a sketch or sample should accompany the order.

PRINTED IN ENGLAND



ROVEX SCALE MODELS LIMITED
WESTWOOD, MARGATE, KENT, ENGLAND
A Member of the Lines Bros. Group of Companies

SERVICING SHEET
No. 2c
Issued December, 1964