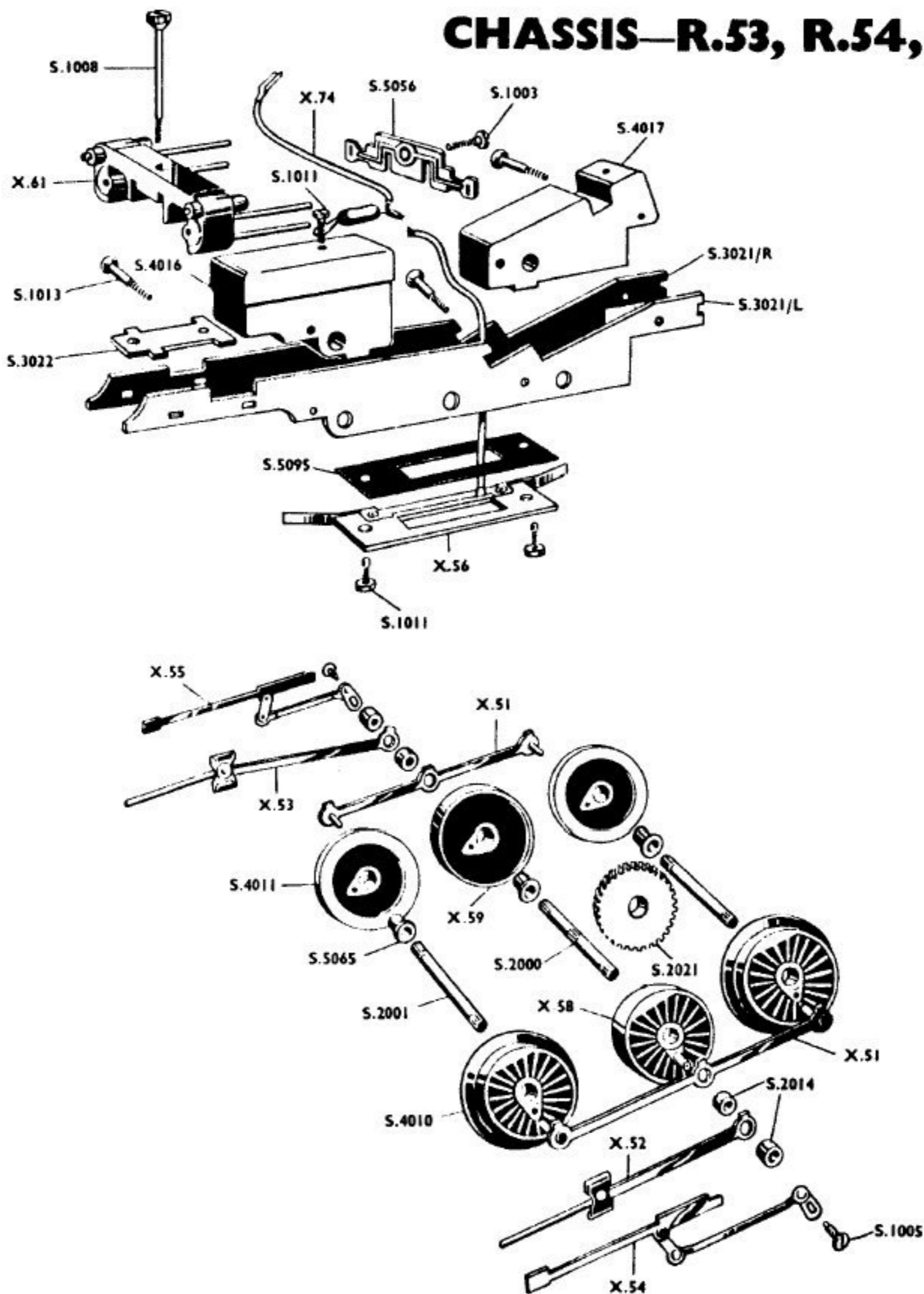


CHASSIS—R.53, R.54, R.56



- | | | |
|---|---|---|
| S.3021/L Left Main Frame | S.2000 Knurled Driving Axle | S.1005 Gear Screw (Walschaerts Valve Gear) |
| S.3021/R Right Main Frame | S.2001 Plain Driving Axle | S.5056 Motion Bracket (Walschaerts Valve Gear) |
| S.4016 Front Weight | S.5065 Insulating Bush | S.1003 Motion Bracket Screw |
| S.4017 Rear Weight | S.2021 Worm Wheel | X.56 Collector Arm and Fibre with lead |
| S.1013 Main Frame Screw | X.51 Left or Right Coupling Rod with pins | S.5095 Collector Insulator |
| S.4010 Flanged Unbushed Driving Wheel | X.52 Left-hand Crosshead Assembly | S.1011 Securing Screw for Collector, Motor and T.V. Suppressor |
| S.4011 Flanged Bushed Driving Wheel | X.53 Right-hand Crosshead Assembly | S.1008 Body/Chassis Securing Screw |
| X.58 Flangeless Unbushed Wheel with fixed pin (for Walschaerts Valve Gear) | X.54 Left-hand Link Assembly (Walschaerts Valve Gear) | X.61 Cylinder Block and Guide Rods |
| X.59 Flangeless Bushed Wheel with fixed pin (for Walschaerts Valve Gear) | X.55 Right-hand Link Assembly (Walschaerts Valve Gear) | S.3022 Front Bogie Plate |
| | S.2014 Distance Piece | X.74 T.V. Suppressor with lead and brush tag |

For motor and bogies see Servicing Sheets Nos. 1 and 5 respectively.

PRINTED IN ENGLAND



ROVEX SCALE MODELS LIMITED
WESTWOOD, MARGATE, KENT, ENGLAND
A Member of the Lines Bros. Group of Companies

SERVICING SHEET
No. 4

Issued November, 1955