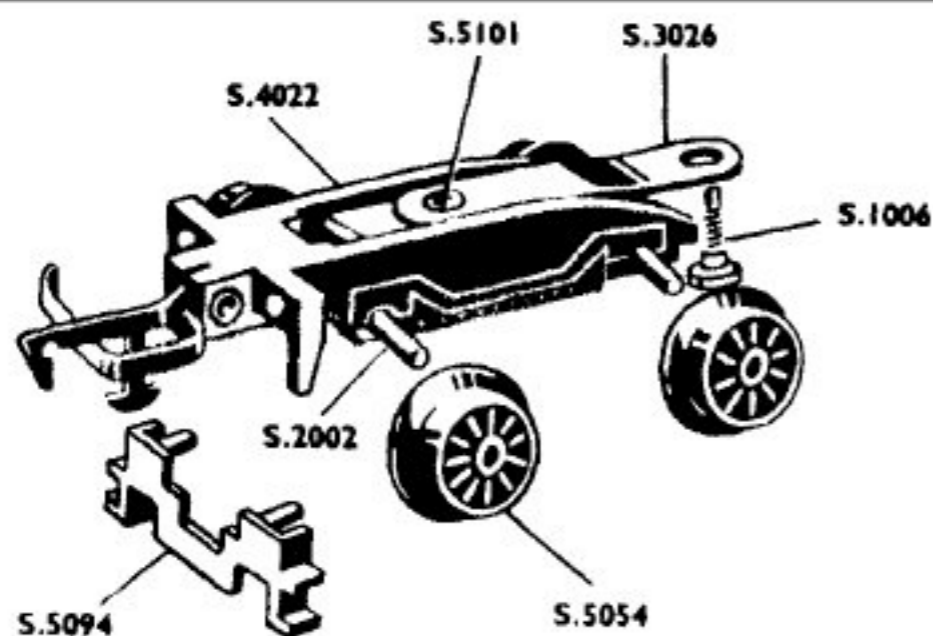
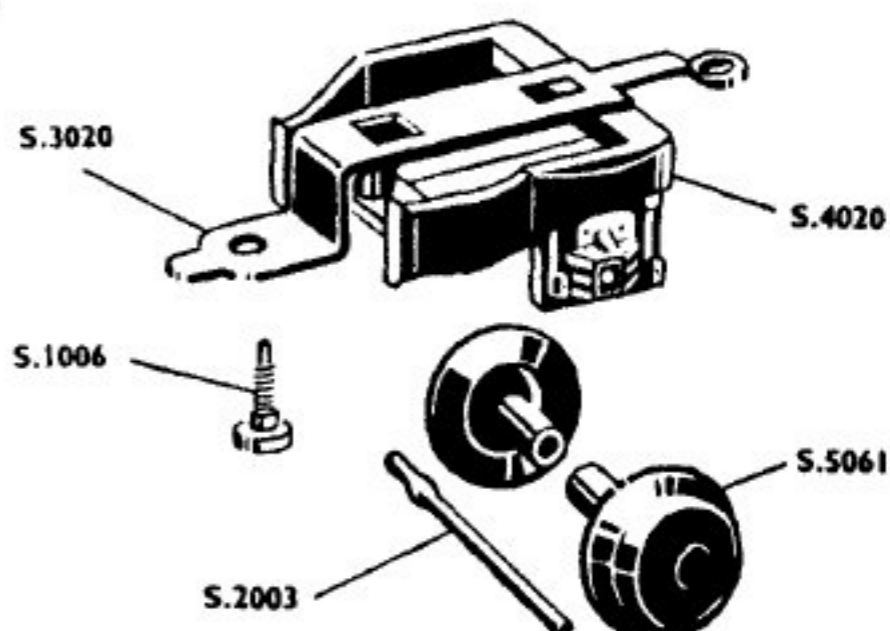


LOCOMOTIVE BOGIES & PONY TRUCKS

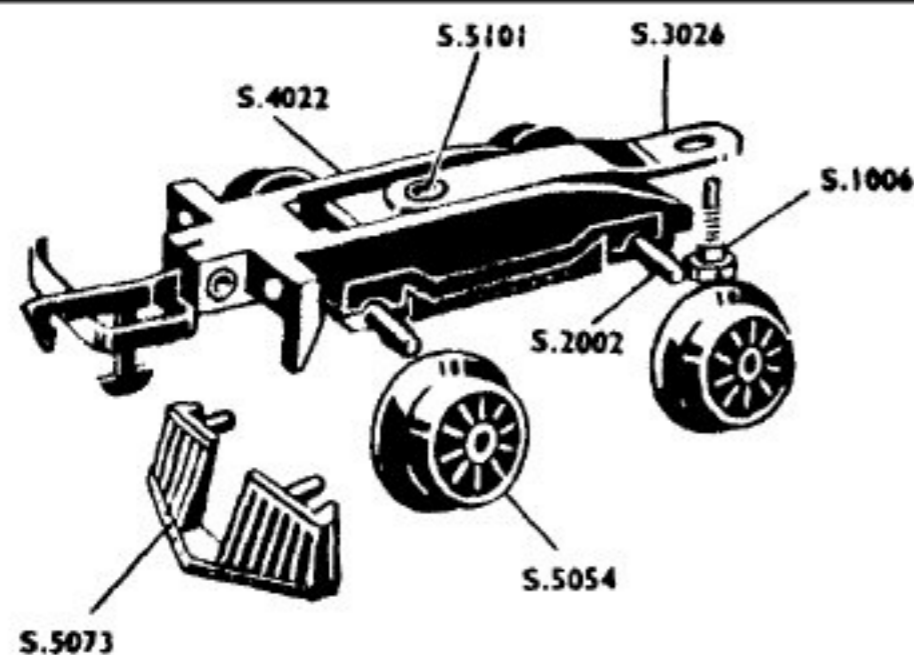
X.35



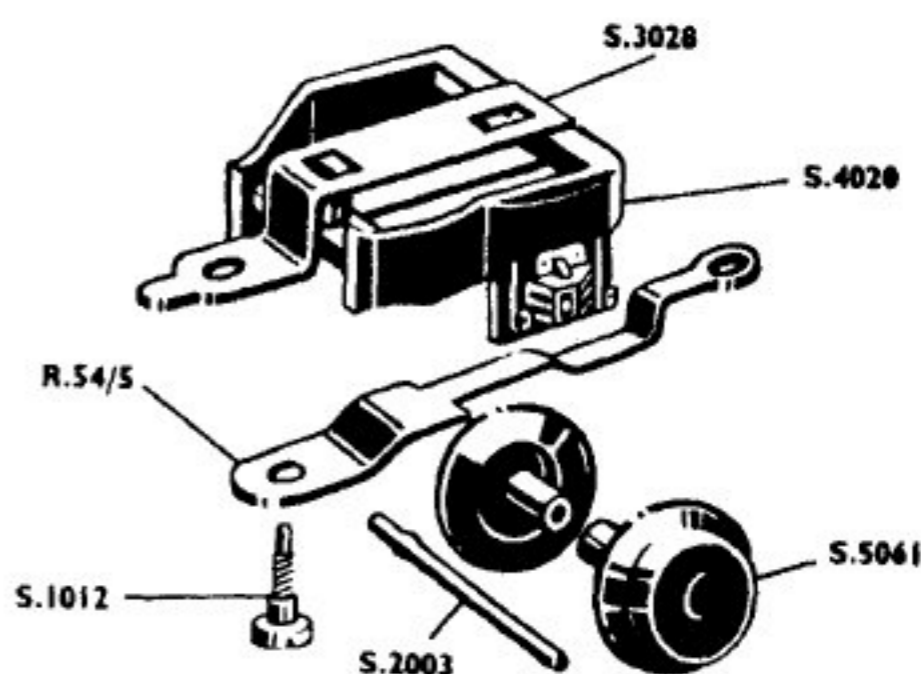
X.26



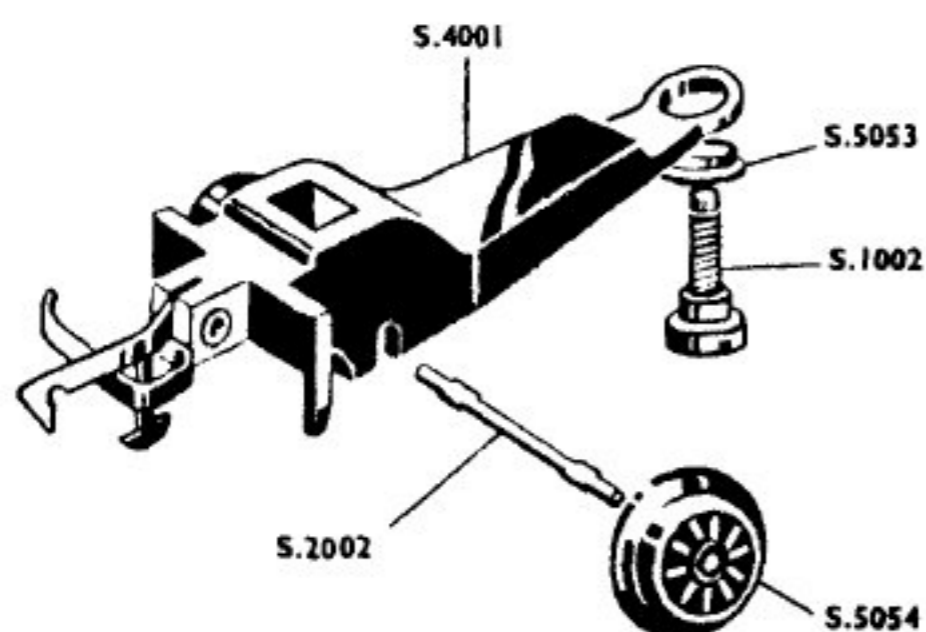
X.33



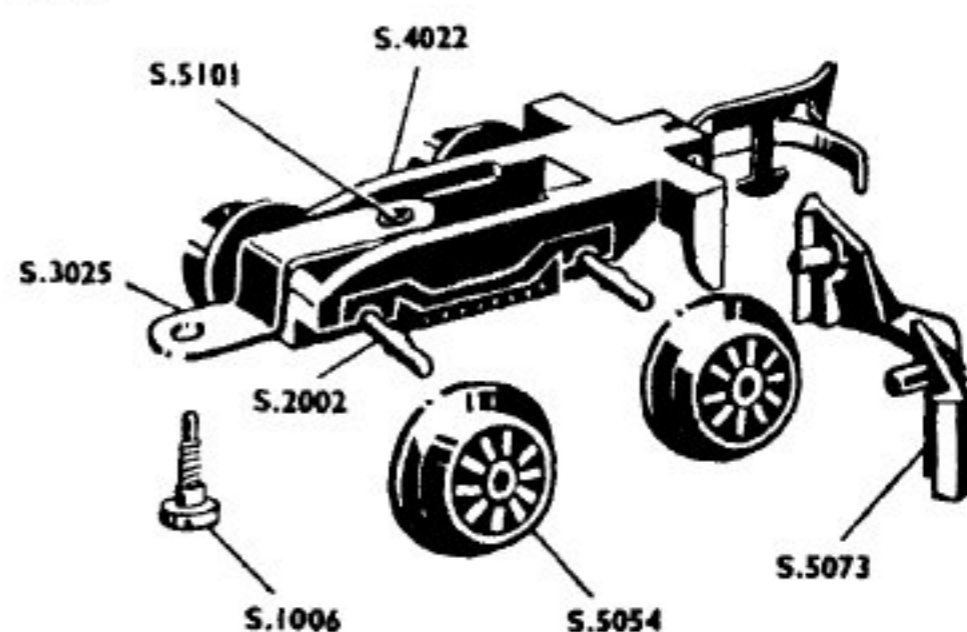
X.31



X.66



X.34



X.26	Rear Pony Truck for R.50 and R.53	S.3020	Pony Truck Link and Drawbar (X.26)	S.5054	Locomotive Bogie Wheel (10 Spokes)
X.31	Rear Pony Truck for R.54	S.3028	Pony Truck Link (X.31)	S.5073	Pilot
X.33	Front Bogie for R.56 and R.54	R.54/5	Drawbar (X.31)	S.5094	Front Steps
X.34	Rear Bogie for R.56	S.5101	Bogie Link Eyelet	S.1006	Bogie and Pony Truck Securing Screw
X.35	Front Bogie for R.50 and R.53	S.3025	Rear Bogie Link (X.34)	S.1012	Pony Truck and Drawbar Securing Screw (X.31)
X.66	Front and Rear Pony Truck for R.59	S.3026	Front Bogie Link (X.33 and X.35)	S.4001	Pony Truck Frame (X.66)
S.4022	Front and Rear Bogie Frame (X.33, X.34 and X.35)	S.2002	Double Splined Axle	S.5053	Pony Truck Insulating Bush (X.66)
S.4020	Pony Truck Frame (X.26 and X.31)	S.2003	Standard Rolling Stock Axle	S.1002	Pony Truck Securing Screw (X.66)
		S.5061	Standard Rolling Stock Wheel—Small		

PRINTED IN ENGLAND



ROVEX SCALE MODELS LIMITED
WESTWOOD, MARGATE, KENT, ENGLAND
A Member of the Lines Bros. Group of Companies

SERVICING SHEET
No. 5
Issued November, 1955