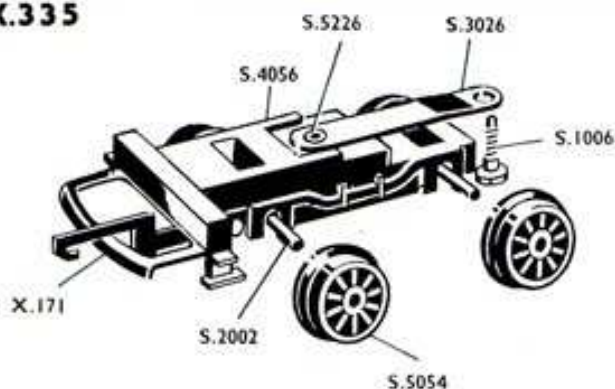


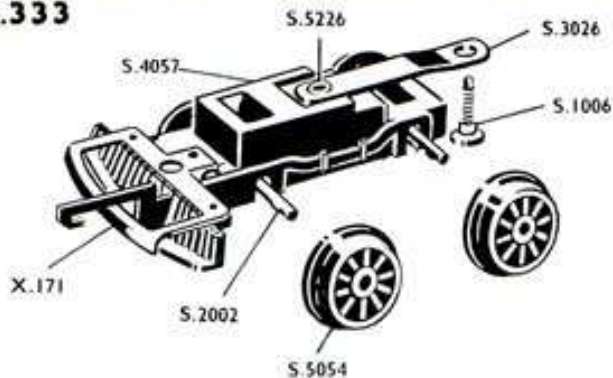
LOCOMOTIVE BOGIES & PONY TRUCKS

with Mk. 3 Couplings produced from 1st January, 1959

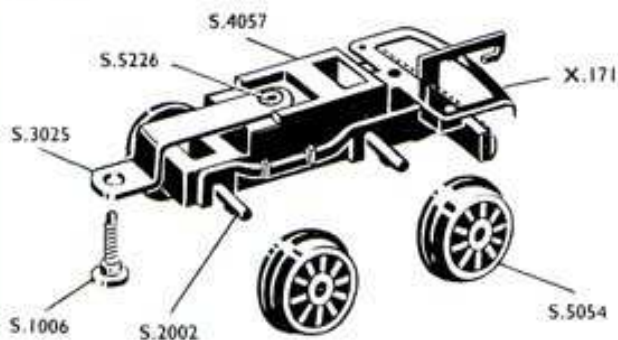
X.335



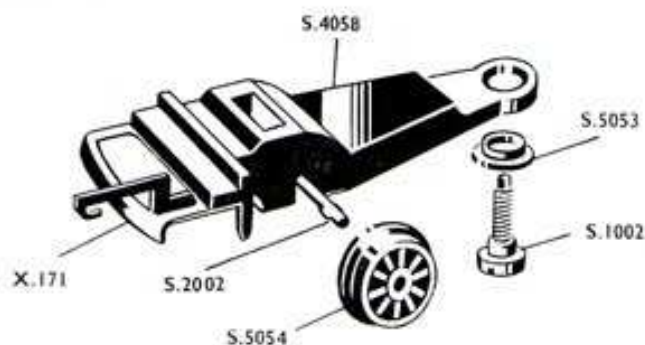
X.333



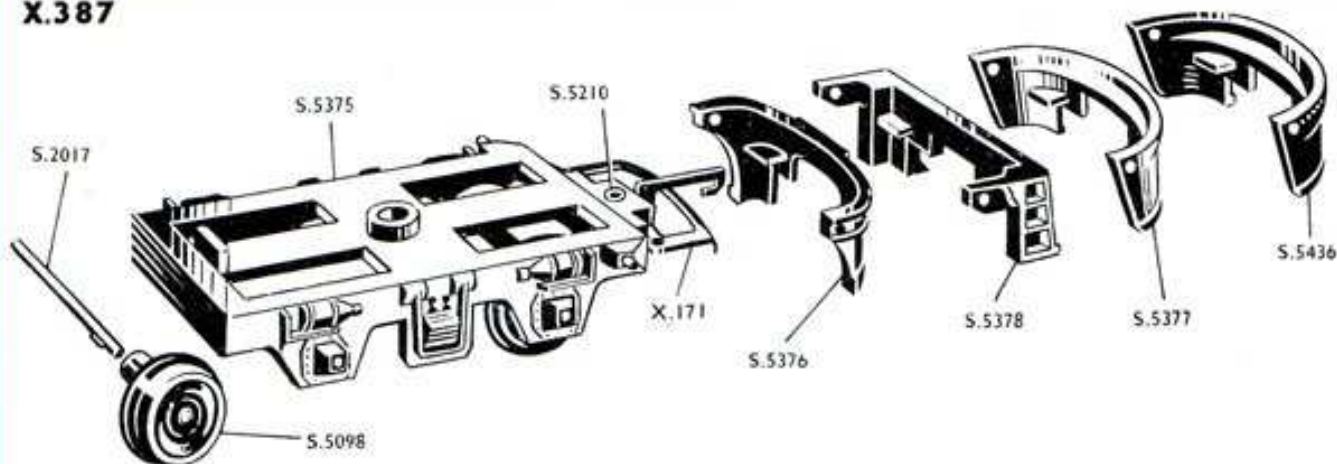
X.334



X.366



X.387



X.171 Mk. 3 Coupling Unit
X.333 Front Bogie for R.54, R.56
X.334 Rear Bogie for R.56
X.335 Front Bogie for R.50, R.53, R.258
X.366 Front and Rear Pony Truck for R.59
X.387 Non-powered Bogie, T.C. Series (Pilot not included)
S.1002 Pony Truck Securing Screw (X.366)

S.1006 Bogie and Pony Truck Securing Screw
S.2002 Double Splined Axle
S.2017 Non-powered Bogie Axle (X.387)
S.3025 Rear Bogie Link (X.334)
S.3026 Front Bogie Link (X.333, X.335)
S.4056 Bogie Frame (X.335)
S.4057 Bogie Frame (X.333, X.334)
S.4058 Pony Truck Frame (X.366)
S.5053 Insulating Bush (X.366)

S.5054 Locomotive Bogie Wheel
S.5098 Non-powered Bogie Wheel (X.387)
S.5210 Coupling Eyelet
S.5226 Bogie Link Eyelet
S.5375 Non-powered Bogie Frame (X.387)
S.5376 Pilot for R.55, R.57
S.5377 Pilot (Blue) for R.159, R.250
S.5378 Pilot for R.155
S.5436 Pilot for R.257

PRINTED IN ENGLAND

