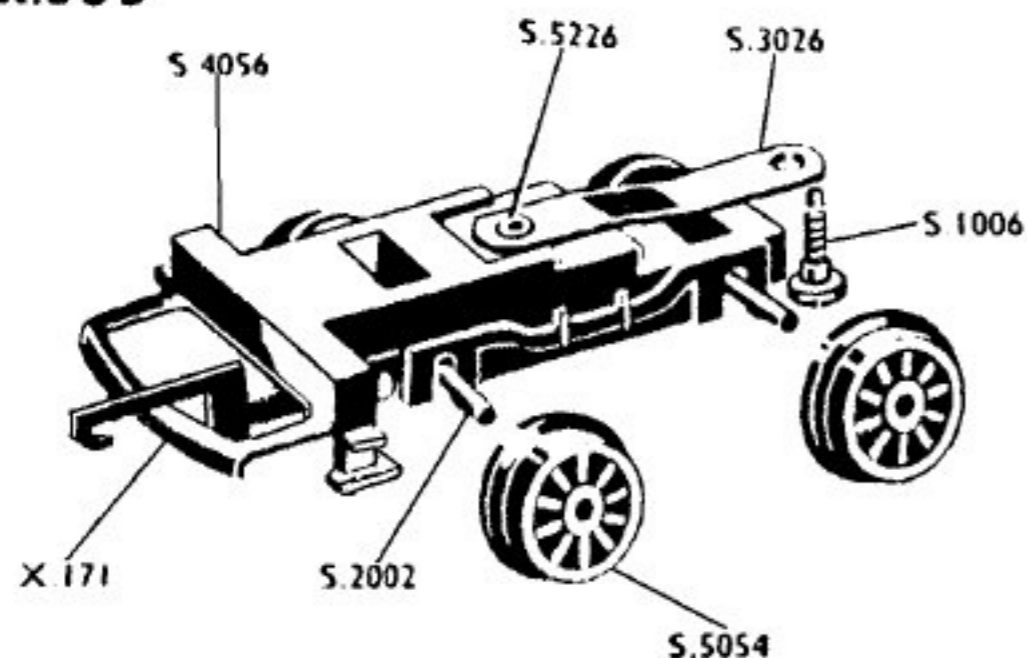


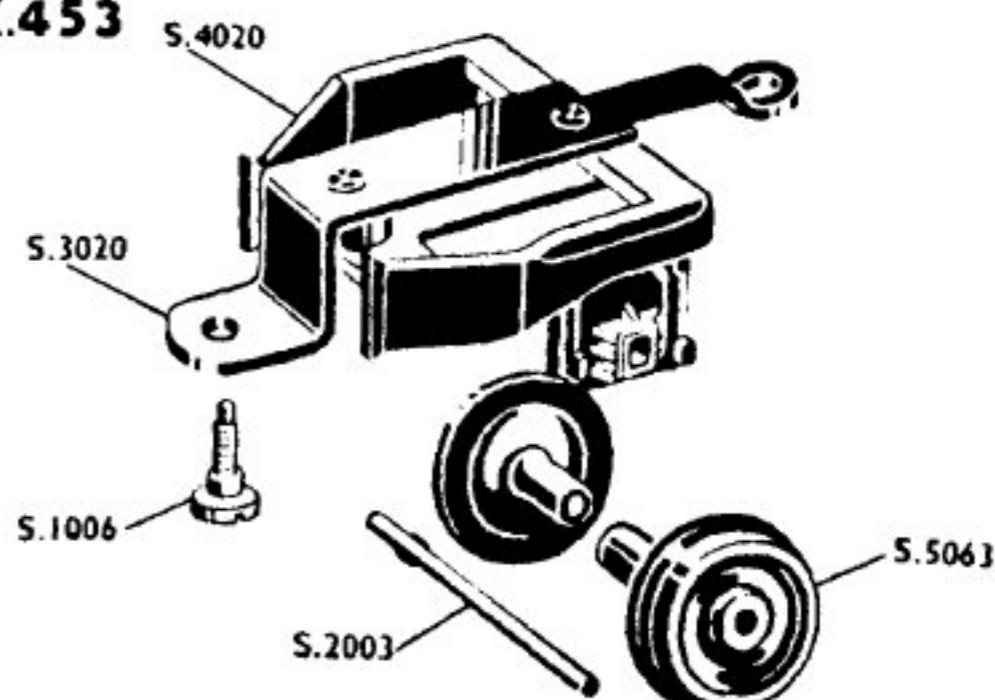
## LOCOMOTIVE BOGIES & PONY TRUCKS

As produced after 1st January, 1961

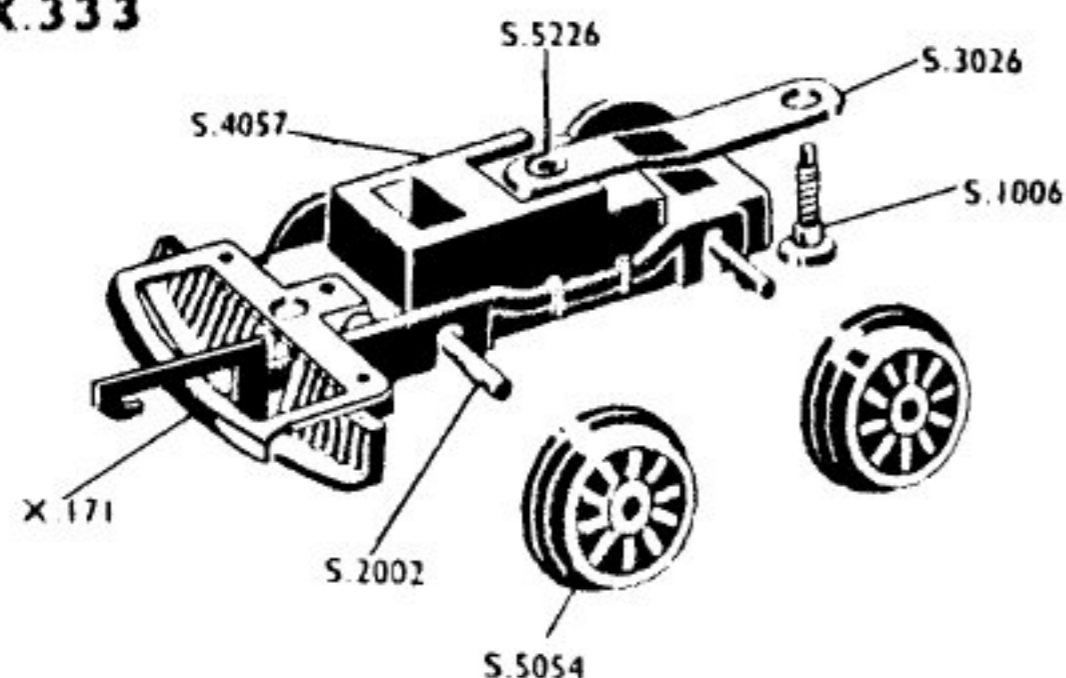
**X.335**



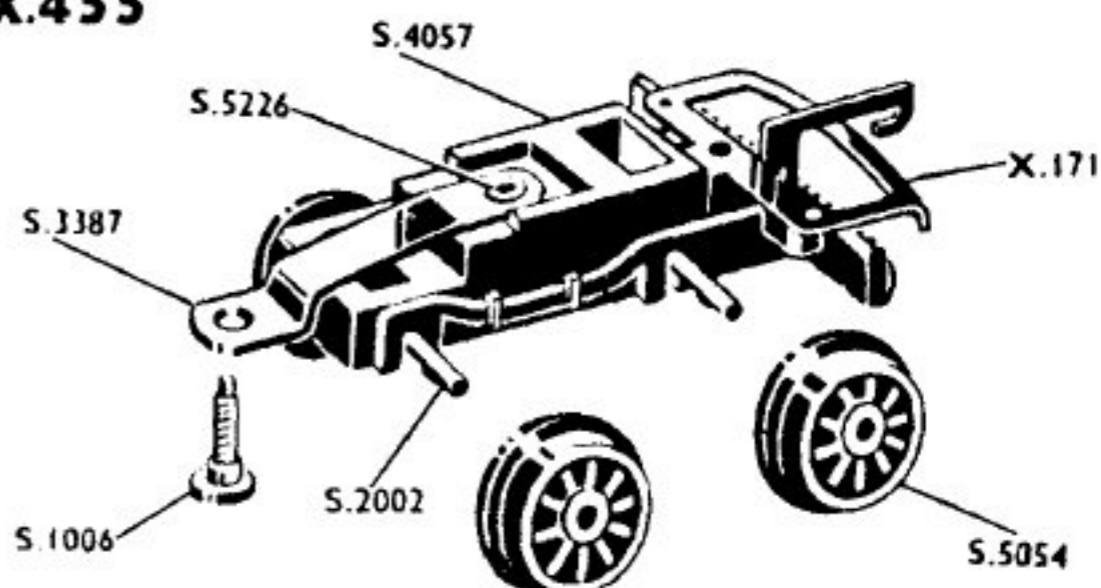
**X.453**



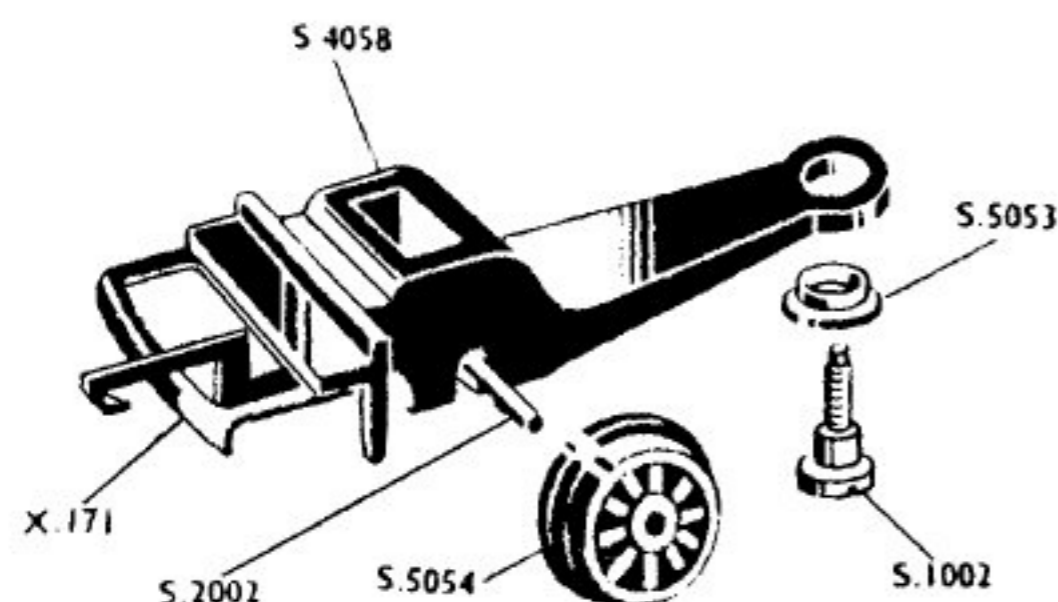
**X.333**



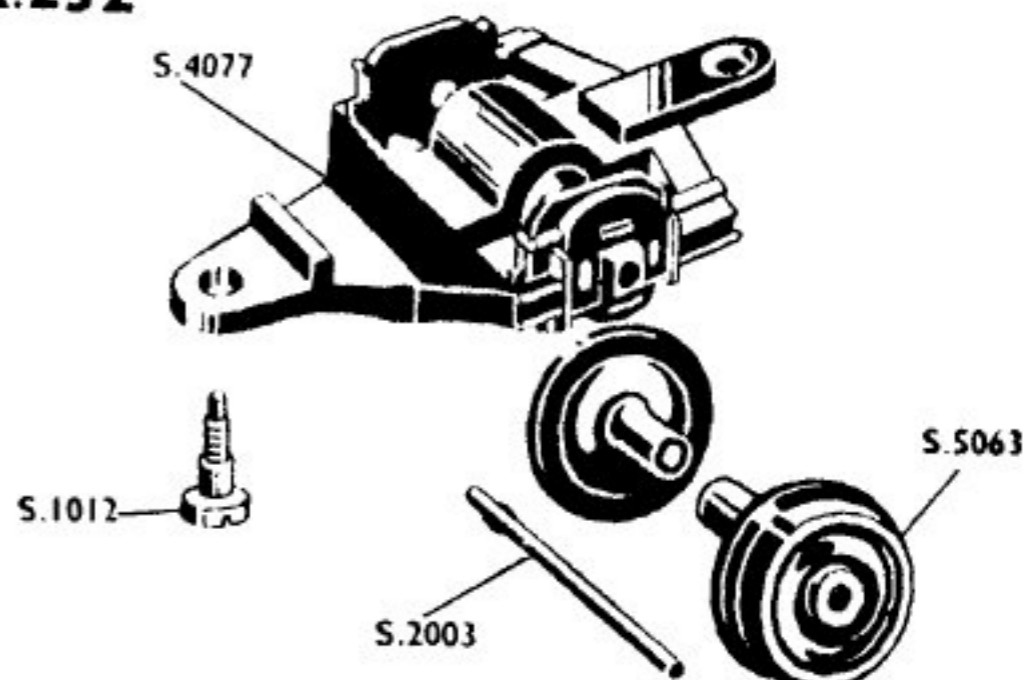
**X.455**



**X.366**



**X.232**



- X.171 Mk. 3 Coupling Unit
- X.232 Pony Truck for R.259
- X.333 Front Bogie for R.54, R.56
- X.335 Front Bogie for R.50, R.53, R.258, R.259
- X.366 Pony Truck for R.59
- X.453 Pony Truck for R.50, R.53, R.54, R.258
- X.455 Rear Bogie for R.56

- S.1002 Pony Truck Securing Screw
- S.1006 Bogie and Pony Truck Securing Screw
- S.1012 Pony Truck Securing Screw
- S.2002 Double Splined Axle
- S.2003 Standard Rolling Stock Axle
- S.3020 Link and Drawbar
- S.3026 Front Bogie Link
- S.3387 Rear Bogie Link

- S.4020 Pony Truck Frame
- S.4056 Bogie Frame
- S.4057 Front and Rear Bogie Frame
- S.4058 Pony Truck Frame
- S.4077 Pony Truck Frame
- S.5053 Pony Truck Insulating Bush
- S.5054 Locomotive Bogie Wheel
- S.5063 Rolling Stock Wheel (Large)
- S.5226 Bogie Link Eyelet

Modifications are made to Triang Railways models from time to time. If a spare part is required which does not coincide with the illustration, a full description should be given and, if necessary, a sketch or sample should accompany the order.

PRINTED IN ENGLAND



**ROVEX SCALE MODELS LIMITED**  
WESTWOOD, MARGATE, KENT, ENGLAND  
A Member of the Lines Bros. Group of Companies

**SERVICING SHEET**

**No. 5b**

Issued May, 1961