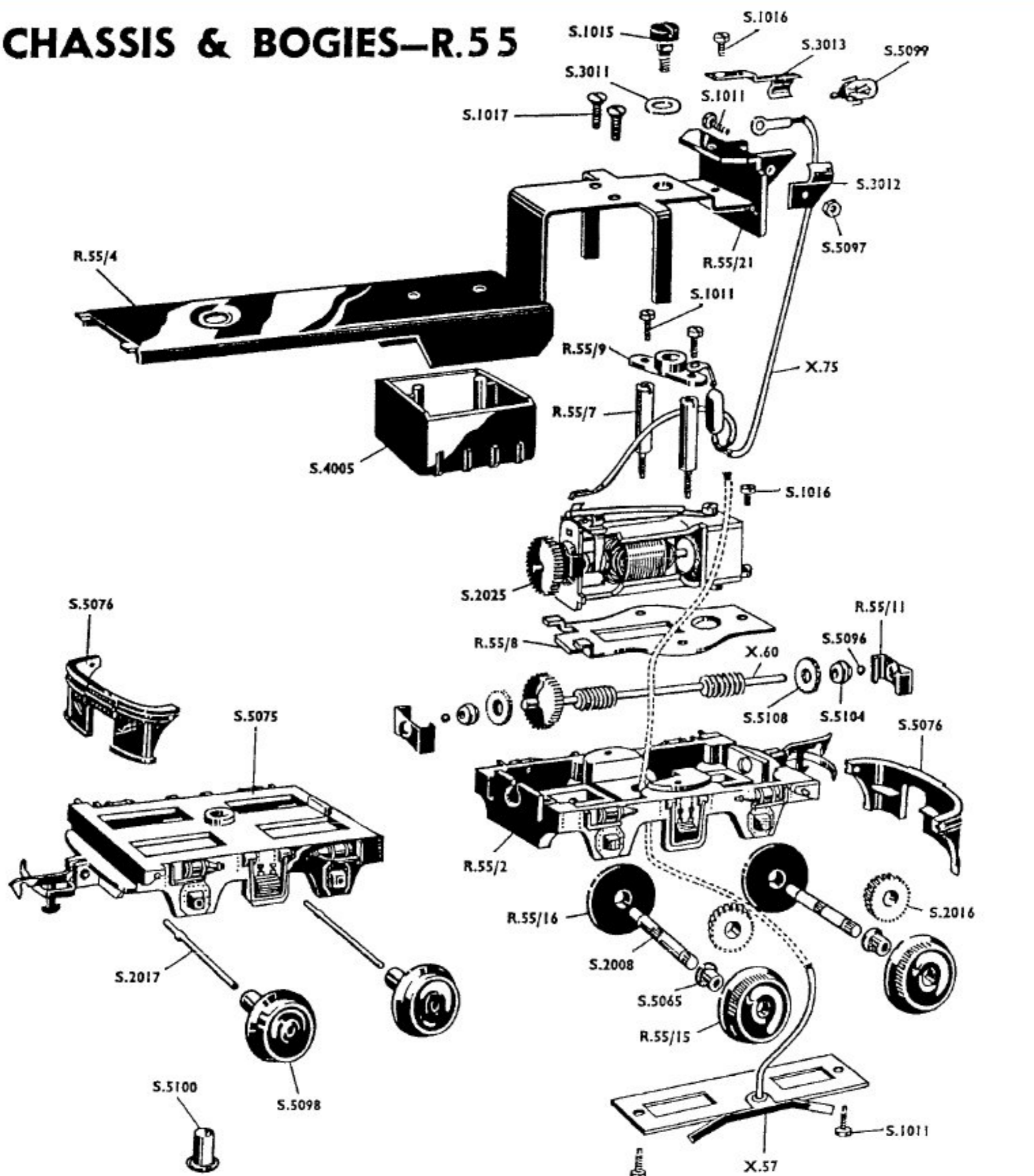


CHASSIS & BOGIES—R.55



R.55/2	Power Bogie Frame	X.57	Collector Arm and Fibre with lead	S.3012	Lamp Clip 'A'
R.55/4	Chassis Plate	X.60	Layshaft Assembly (including worms and spur gear)	S.3013	Lamp Clip 'B'
R.55/7	Motor Pillar	S.2025	Spur Gear	S.1015	Pivot Pin for Power Bogie
R.55/8	Motor Mounting Plate	S.5104	Spherical Bearing	S.3011	Pivot Pin Washer
R.55/9	Motor Top Plate	S.5108	Felt Lubricating Pad	S.5099	Headlamp Bulb
R.55/11	Spring Clip	S.5096	Thrust Ball	S.1017	Body/Chassis Securing Screw
R.55/15	Bushed Wheel for Power Bogie	S.1016	Securing Screw for Motor and Lamp Clip 'B'	S.4005	Accumulator Box
R.55/16	Unbushed Wheel for Power Bogie	S.5075	Non-power Bogie Frame	S.5076	Diesel Pilot
R.55/21	Lamp Bracket	S.2017	Non-power Bogie Axle	S.2017	Non-power Bogie Axle
S.5065	Insulating Bush	S.5098	Non-power Bogie Wheel	S.5098	Non-power Bogie Wheel
S.2008	Knurled Driving Axle	S.5100	Bogie Eyelet	S.5100	Bogie Eyelet
S.2016	Worm Wheel	S.5097	Securing Nut for Lamp Clip 'A'	X.75	T.V. Suppressor, leads and tags

PRINTED IN ENGLAND



ROVEX SCALE MODELS LIMITED
WESTWOOD, MARGATE, KENT, ENGLAND
A Member of the Lines Bros. Group of Companies

SERVICING SHEET
No. 6
Issued November, 1955