

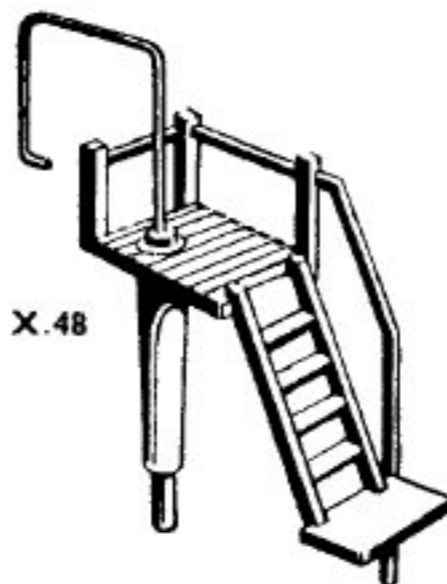
GENERAL SPARES—I



S.5061



S.5063



X.48



S.5077



S.2003



X.47



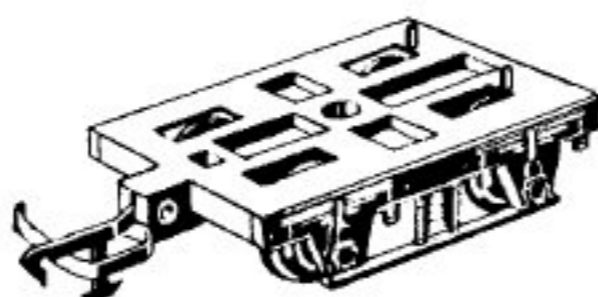
S.5100



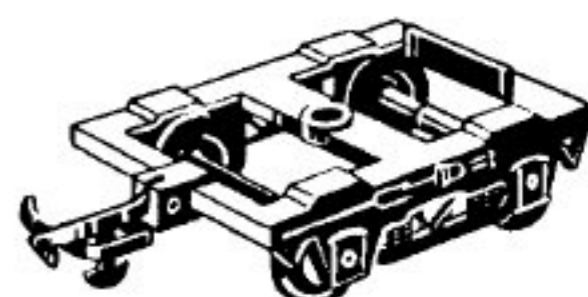
S.2006



X.09



X.10



X.22



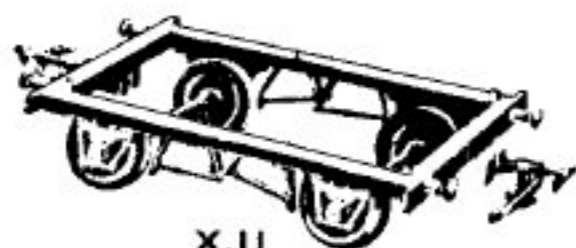
X.23



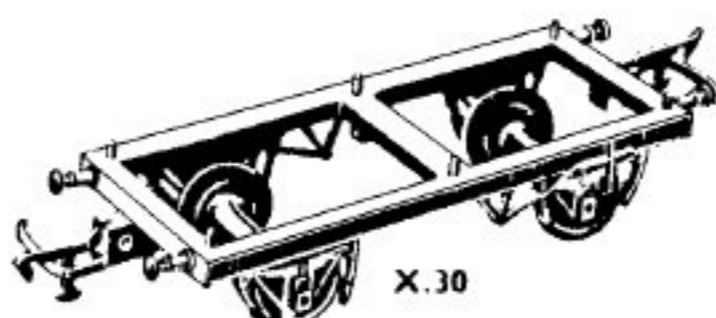
X.28



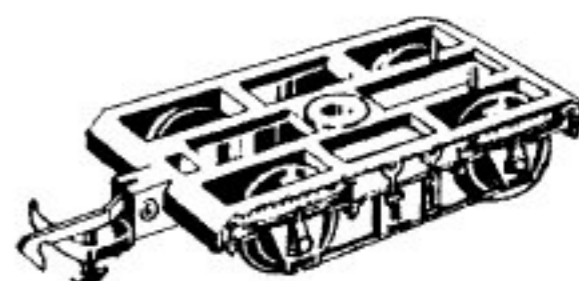
X.32



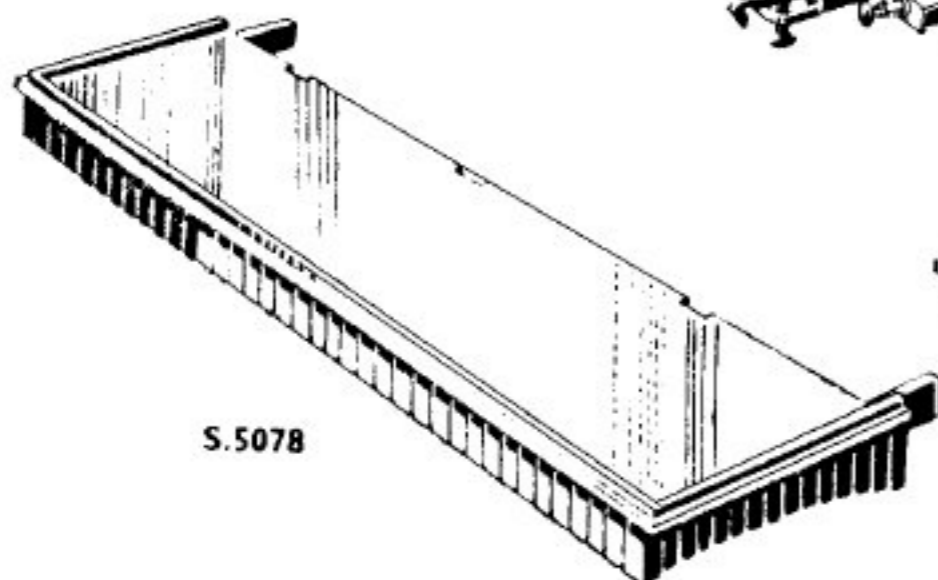
X.11



X.30



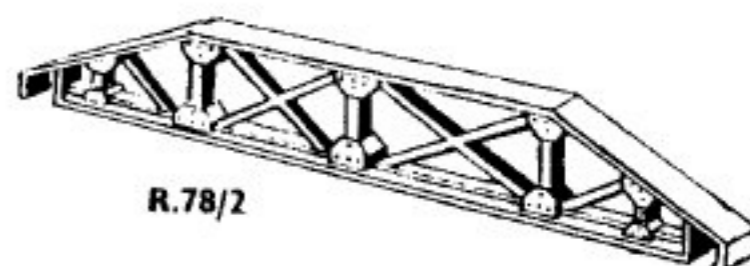
X.29



S.5078



S.5112



R.78/2

S.5061 Standard Rolling Stock Wheel—Small

S.5063 Standard Rolling Stock Wheel—Large

X.48 Pick-up Hook and Step Assembly

S.5077 Mail Bag

S.2003 Standard Rolling Stock Axle

X.47 Coupling Unit

S.5100 Bogie Eyelet (also used for securing base to Speed Control Unit)

S.2006 Buffer

X.09 Coach Bogie, L.M.S. Type

X.10 Coach Bogie, B.R. Type (short)

X.22 Coach Bogie, T.C. Series

X.23 Freight Bogie and Tender Rear Bogie, T.C. Series

X.28 Diamond-frame Bogie, B.R. and T.C. Series

X.32 Tender Front Bogie T.C. Series

X.11 Truck and Wagon Chassis (standard)

X.30 Truck and Wagon Chassis (long wheelbase)

X.29 Coach Bogie, B.R. Type (long)

S.5078 Long Canopy

S.5112 Short Canopy

R.78/2 Girder Bridge Truss