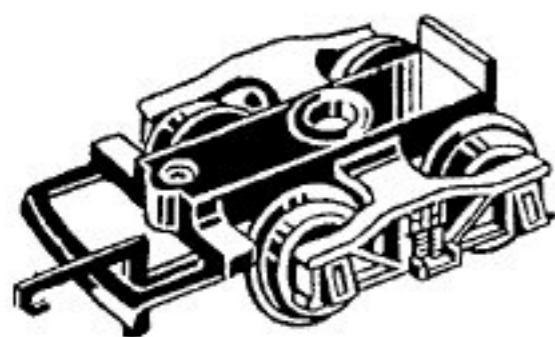
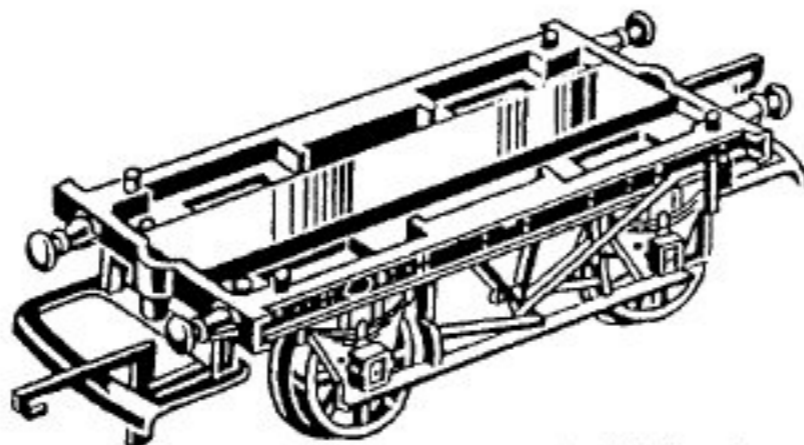


## OO/HO GENERAL SPARES - IB

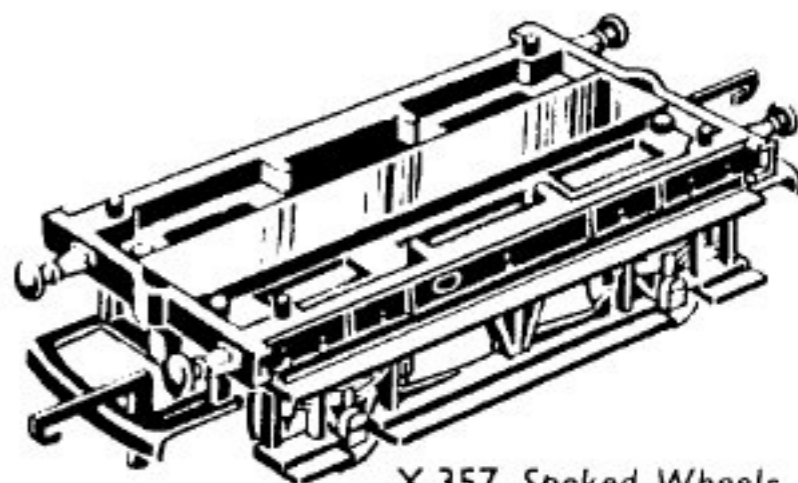
with taper-bearing axles introduced January, 1963



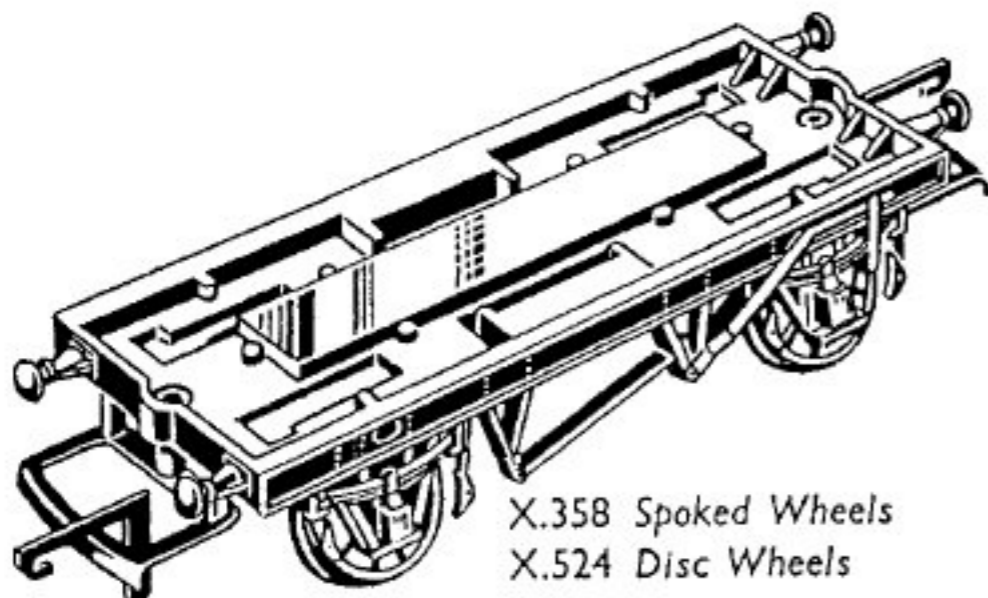
X.360 Small Disc Wheels



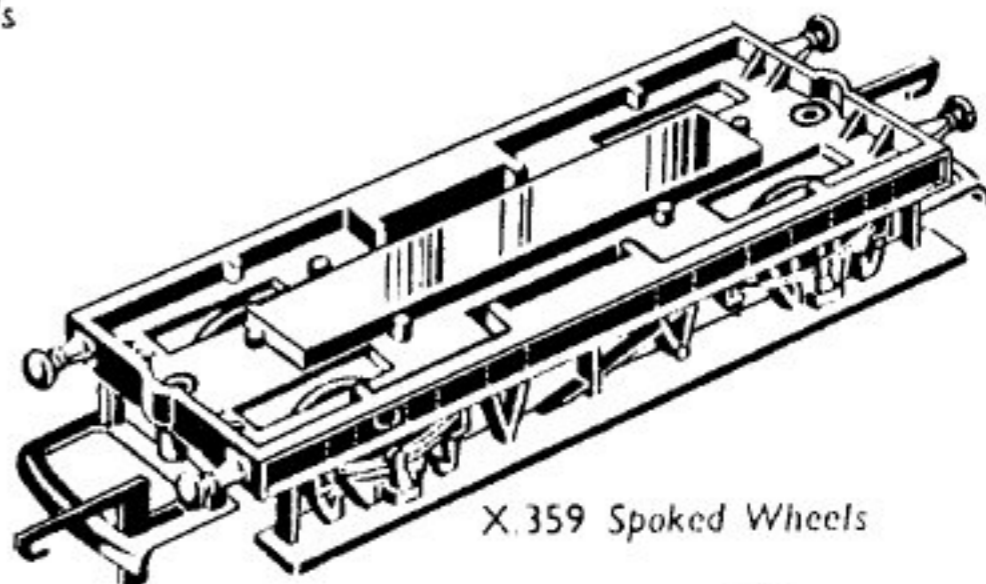
X.356 Spoked Wheels  
X.511 Disc Wheels



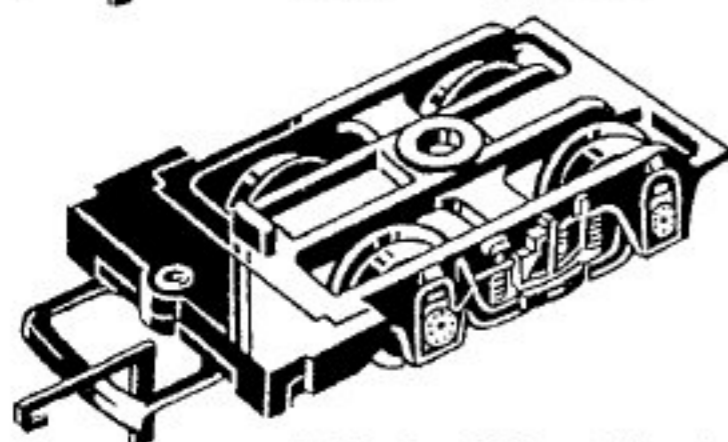
X.357 Spoked Wheels



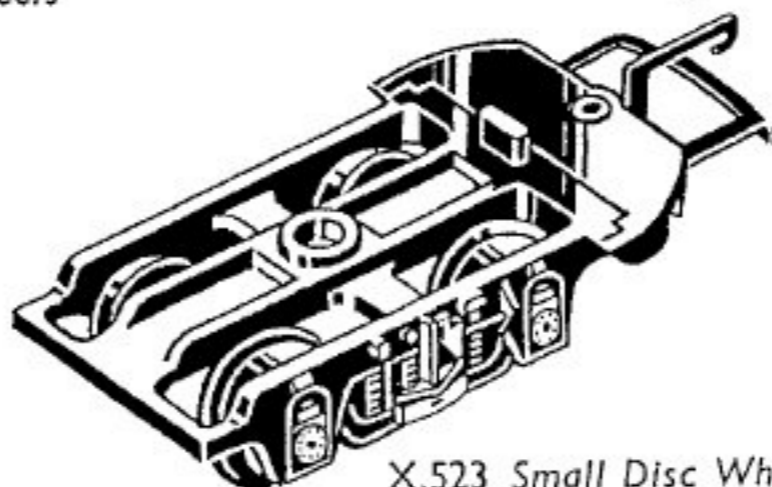
X.358 Spoked Wheels  
X.524 Disc Wheels



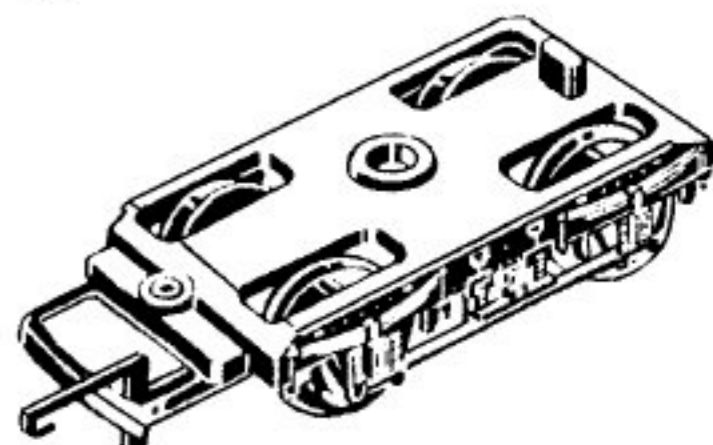
X.359 Spoked Wheels



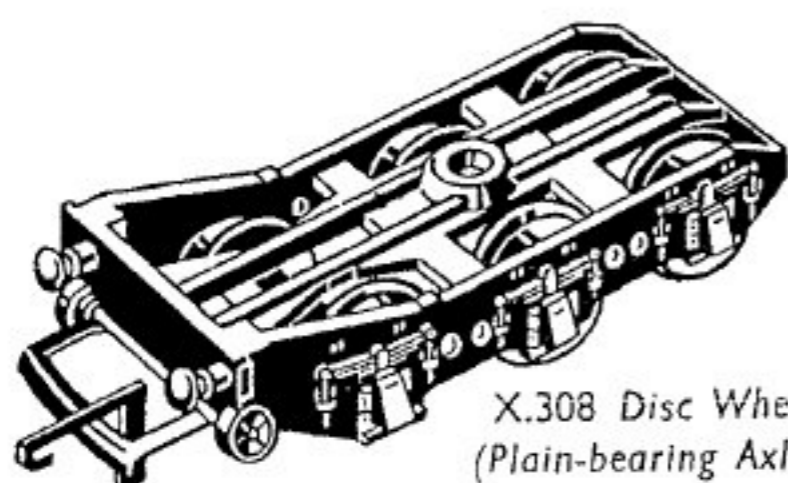
X.522 Small Disc Wheels



X.523 Small Disc Wheels



X.531 Disc Wheels



X.308 Disc Wheels  
(Plain-bearing Axles)



X.399



X.498



X.499



S.2178



S.1092

- X.308 Six-wheeled Bogie (Trestrol, etc.)
- X.356 Standard Wagon Chassis—spoked wheels
- X.357 Standard Brake Van Chassis—spoked wheels
- X.358 Long-wheelbase Wagon Chassis—spoked wheels
- X.359 Long-wheelbase Brake Van Chassis—spoked wheels

- X.360 Diamond Frame Bogie (replaces X.328 on some models only)
- X.399 Axle Assembly with disc 2-hole wheels
- X.498 Axle Assembly with small disc wheels
- X.499 Axle Assembly with spoked wheels
- X.511 Standard Wagon Chassis—disc wheels

- X.522 Straight-ended T.C. Coach Bogie—small disc wheels
- X.523 Curved-ended T.C. Coach Bogie—small disc wheels
- X.524 Long-wheelbase Wagon Chassis—disc wheels
- X.531 Standard B.R. Coach Bogie
- S.1092 Bogie Fixing Screw (C.K.D Series)
- S.2178 Bogie Fixing Nut (C.K.D Series)

NOTE: X.308 Bogie does not have taper-bearing axles. It uses 1962 pattern wheels (S.6050) and axles (S.2129) as in bogie X.214. See Servicing Sheet No. 30.

Modifications are made to Tri-ang Railways models from time to time. If a spare part is required which does not coincide with the illustration, a full description should be given and, if necessary, a sketch or sample should accompany the order.

PRINTED IN ENGLAND



**ROVEX SCALE MODELS LIMITED**  
WESTWOOD, MARGATE, KENT, ENGLAND  
A Member of the Lines Bros. Group of Companies

**SERVICING SHEET**  
No. 7b  
Issued August, 1963