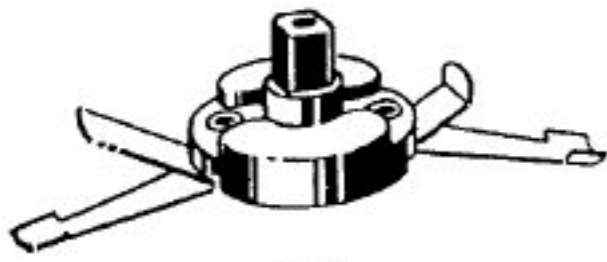
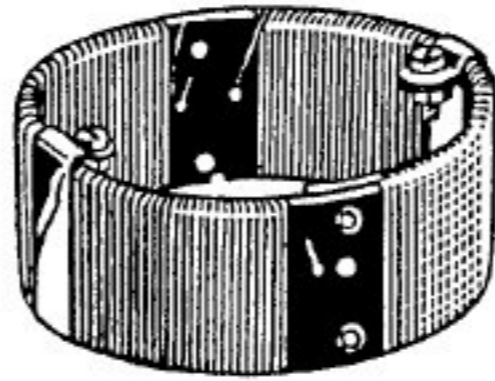


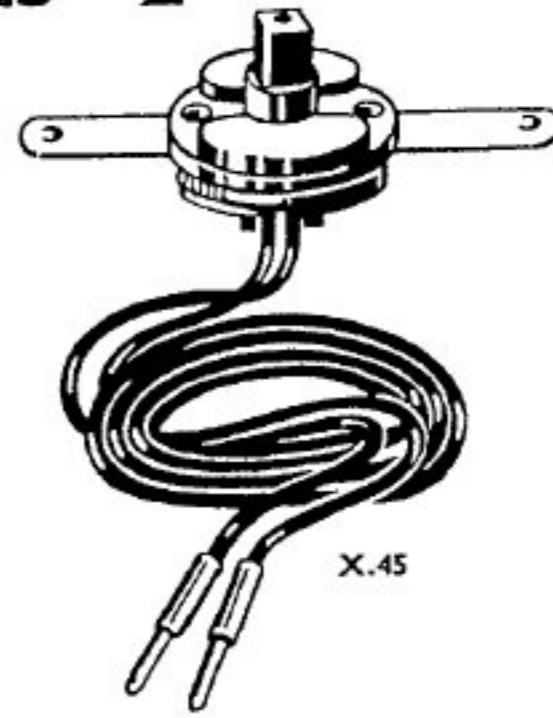
GENERAL SPARES—2



X.43



X.44



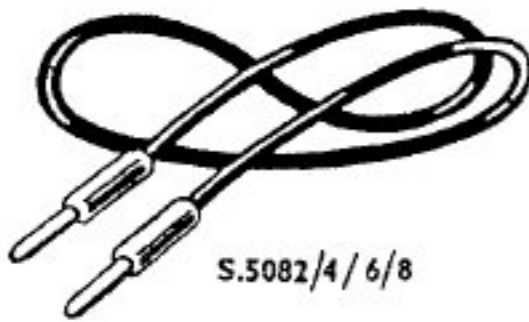
X.45



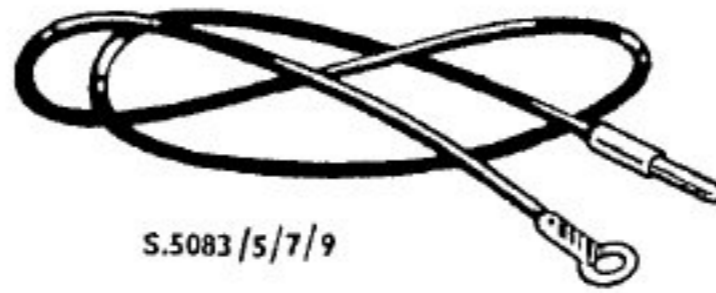
S.2005



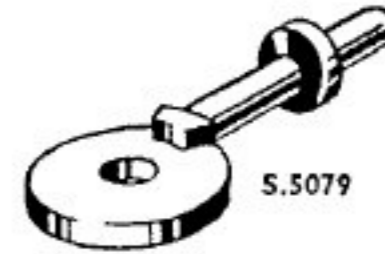
S.5080



S.5082/4/6/8



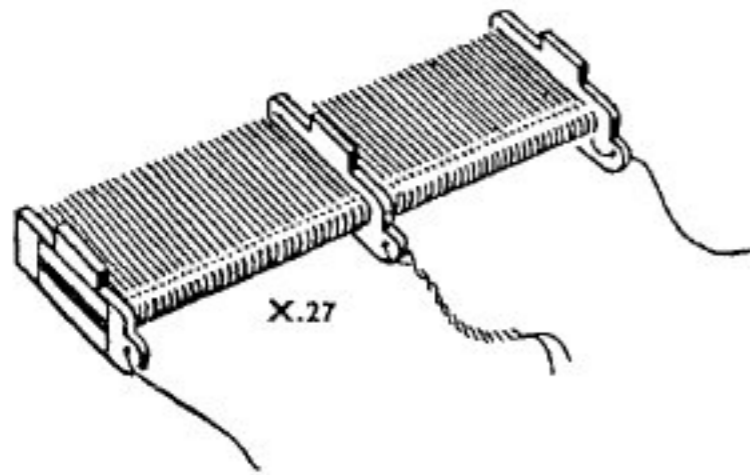
S.5083/5/7/9



S.5079



S.5103



X.27



S.3027



S.1018

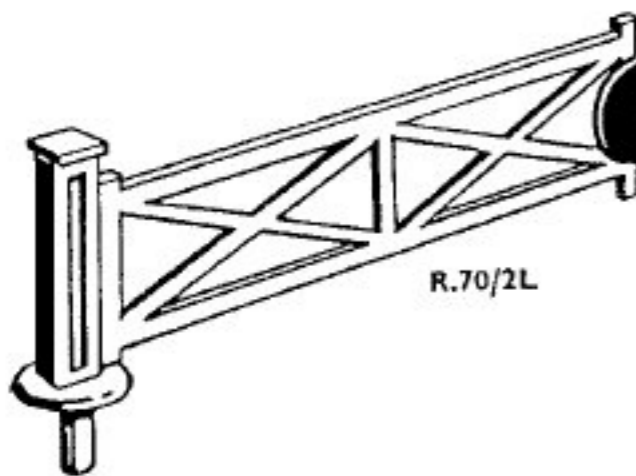
S.2018



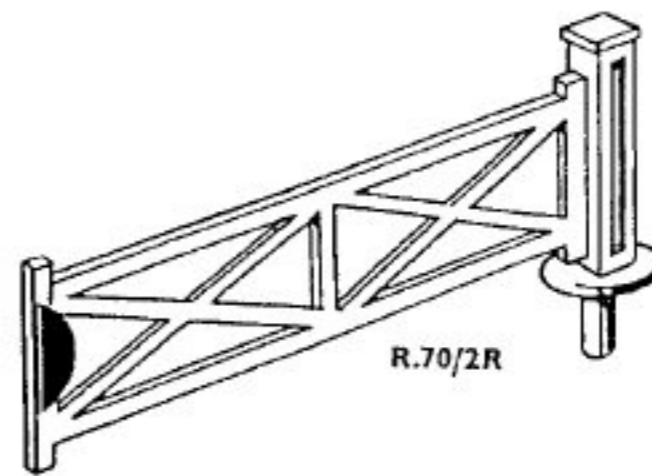
X.64



X.65



R.70/2L



R.70/2R



S.3006

- X.43 Rotor for Speed Control Unit
- X.44 Resistance Coil for Speed Control Unit
- X.45 Rotor and leads for Battery Box
- S.2005 Contact Plug
- S.5080 Tag Washer
- S.5082 7 1/2" lead with Contact Plug at each end
- S.5083 7 1/2" lead with Contact Plug and Tag Washer
- S.5084 15" lead with Contact Plug at each end
- S.5085 15" lead with Contact Plug and Tag Washer

- S.5086 30" lead with Contact Plug at each end
- S.5087 30" lead with Contact Plug and Tag Washer
- S.5088 45" lead with Contact Plug at each end
- S.5089 45" lead with Contact Plug and Tag Washer
- S.5079 Point Lever
- S.5103 Point Lever Eyelet
- X.27 Solenoid for Electrically Operated Points
- S.3027 Armature for Electrically Operated Points

- X.64 Crank Assembly for Electrically Operated Points (left-hand R.201)
- X.65 Crank Assembly for Electrically Operated Points (right-hand R.202)
- S.2018 Frog Pin for Electrically Operated Points
- S.1018 Frog Pin Screw for Electrically Operated Points
- R.70/2 L Level Crossing Gate—left
- R.70/2 R Level Crossing Gate—right
- S.3006 Fishplate