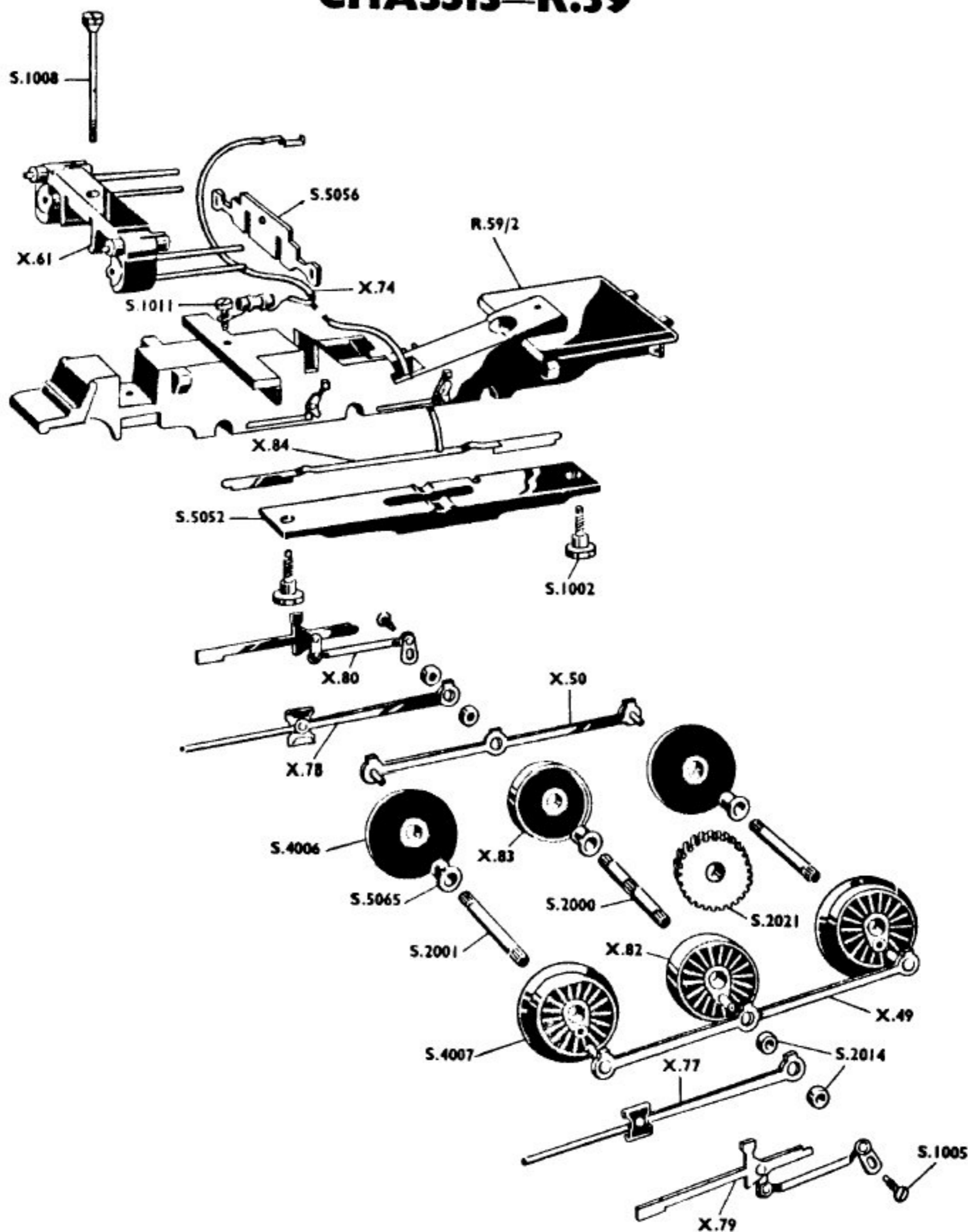


CHASSIS—R.59



R.59/2	Chassis Casting	S.2021	Worm Wheel	S.5056	Motion Bracket
S.4006	Flanged Bushed Driving Wheel	X.49	Left Coupling Rod with pins	X.84	Collector Arm with lead
S.4007	Flanged Unbushed Driving Wheel	X.50	Right Coupling Rod with pins	S.5052	Collector Diaphragm
X.82	Flangeless Unbushed Wheel with fixed pin	X.77	Crosshead Assembly (L/H)	S.1002	Pony Truck Securing Screw
X.83	Flangeless Bushed Wheel with fixed pin	X.78	Crosshead Assembly (R/H)	S.1011	Securing Screw for Suppressor
S.2000	Knurled Driving Axle	X.79	Walschaerts Gear Link Assembly (L/H)	S.1008	Body/Chassis Securing Screw
S.2001	Plain Driving Axle	X.80	Walschaerts Gear Link Assembly (R/H)	X.61	Cylinder Block and Guide Rods
S.5065	Insulating Bush	S.2014	Distance Piece	X.74	T.V. Suppressor with lead and brush tag
		S.1005	Gear Screw		

For motor and pony trucks see Servicing Sheet Nos. 1 and 5 respectively.

