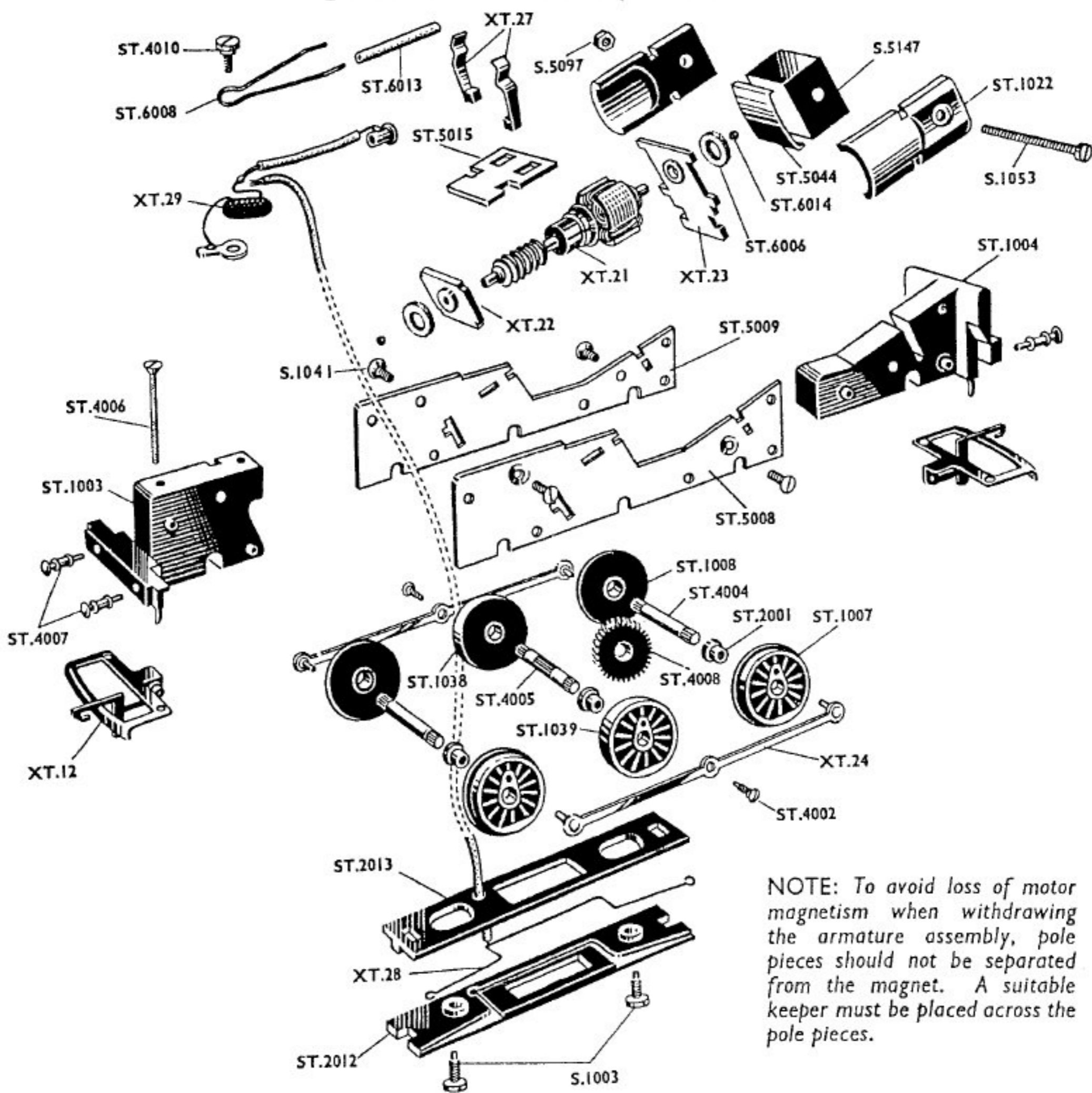


CHASSIS—T.90, T.95



NOTE: To avoid loss of motor magnetism when withdrawing the armature assembly, pole pieces should not be separated from the magnet. A suitable keeper must be placed across the pole pieces.

- | | | | | | |
|-------|--|---------|-----------------------------------|---------|-----------------------------|
| XT.12 | Coupling Unit | S.1003 | Collector Securing Screw | ST.2013 | Collector Backing Plate |
| XT.21 | Armature Assembly with commutator and worm | S.1041 | Main Frame Screw | ST.4002 | Coupling Rod Screw |
| XT.22 | Front Plate and Bearing | S.1053 | Magnet Screw | ST.4004 | Locomotive Axle-Plain |
| XT.23 | Rear Plate and Bearing | S.5097 | Magnet Nut | ST.4005 | Locomotive Axle-Knurled |
| XT.24 | Coupling Rod with pins | S.5147 | Magnet | ST.4006 | Body-Chassis Securing Screw |
| XT.27 | Brush Arm and Brush | ST.1003 | Front Chassis Weight | ST.4007 | Locomotive Buffer |
| XT.28 | Collector Arm with lead | ST.1004 | Rear Chassis Weight | ST.4008 | Worm Wheel (26T) |
| XT.29 | T.V. Suppressor with lead and brush eyelet | ST.1007 | Flanged Bushed Driving Wheel | ST.4010 | Brush Spring Screw |
| XT.30 | Centre Axle Assembly—comprising ST.1038, ST.1039, ST.4005, ST.4008 | ST.1008 | Flanged Unbushed Driving Wheel | ST.5008 | Left Main Frame |
| XT.31 | Front and Rear Axle Assembly—comprising ST.1007, ST.1008, ST.4004 | ST.1022 | Pole Piece | ST.5009 | Right Main Frame |
| | | ST.1038 | Flangeless Unbushed Driving Wheel | ST.5015 | Brush Gear Diaphragm |
| | | ST.1039 | Flangeless Bushed Driving Wheel | ST.5044 | Rear Bearing Spring |
| | | ST.2001 | Wheel Insulating Bush | ST.6006 | Bearing Felt |
| | | ST.2012 | Collector Diaphragm | ST.6008 | Brush Spring |
| | | | | ST.6013 | Insulating Sleeve |
| | | | | ST.6014 | Thrust Ball (1/16") |

Modifications are made to Tri-ang Railways models from time to time. If a spare part is required which does not coincide with the illustration, a full description should be given and, if necessary, a sketch or sample should accompany the order.

PRINTED IN ENGLAND



ROVEX SCALE MODELS LIMITED
WESTWOOD, MARGATE, KENT, ENGLAND
 A Member of the Lines Bros. Group of Companies

SERVICING SHEET
No. 11
 Issued March, 1957