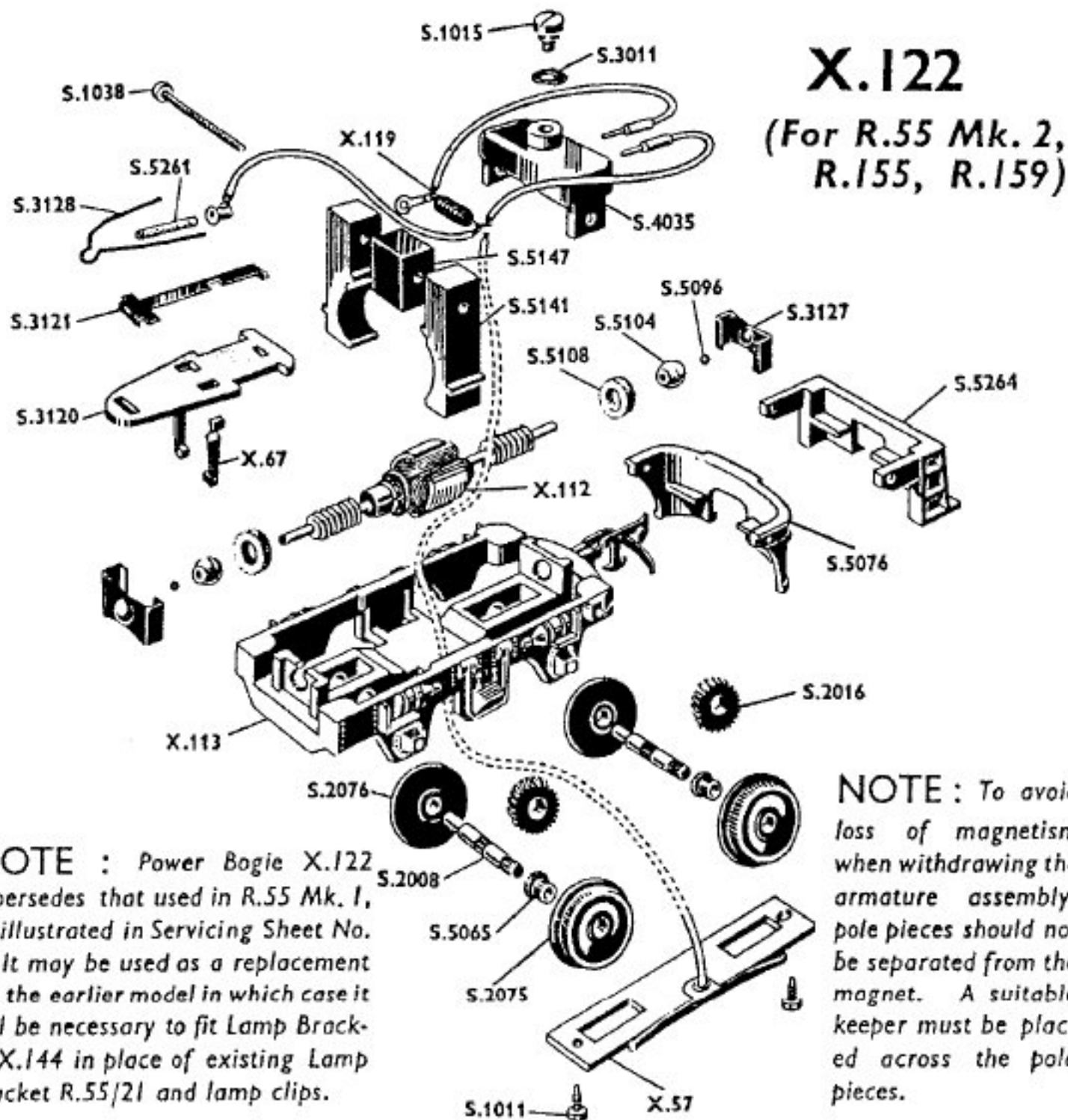
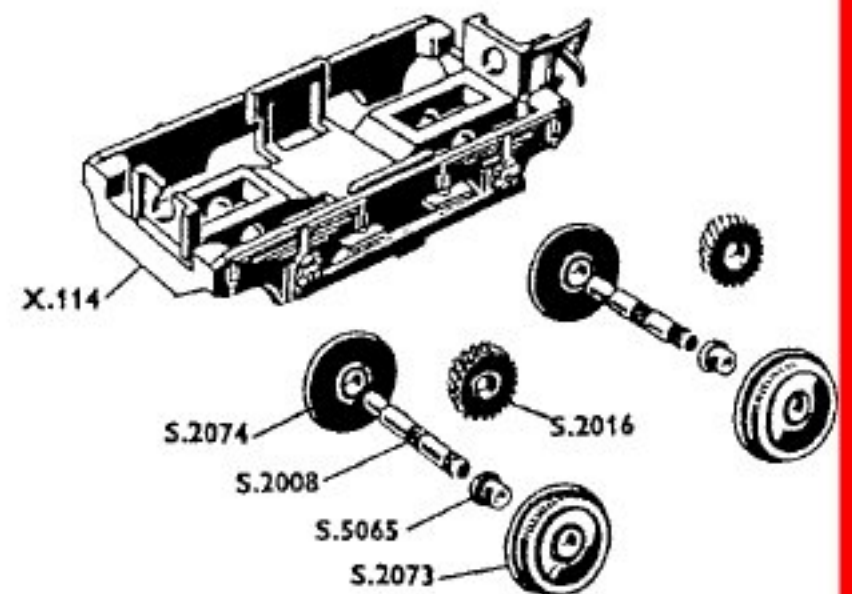


POWER BOGIES AND LAMP MOUNTINGS

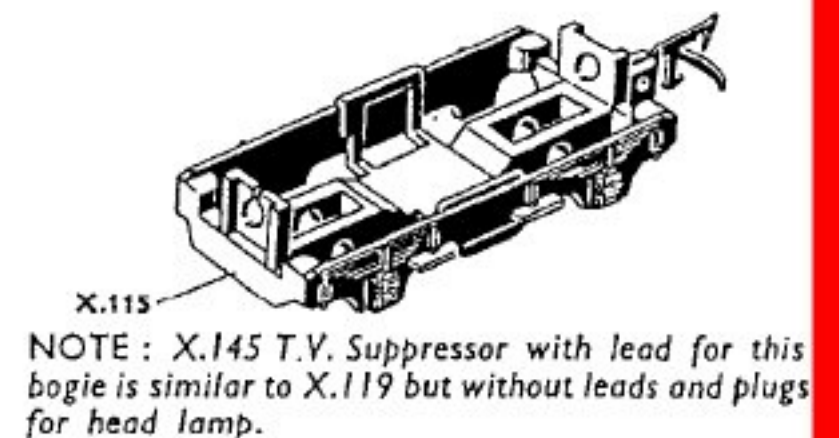


X.122
(For R.55 Mk. 2,
R.155, R.159)

X.120 (For R.156)
Other Parts as for X.122



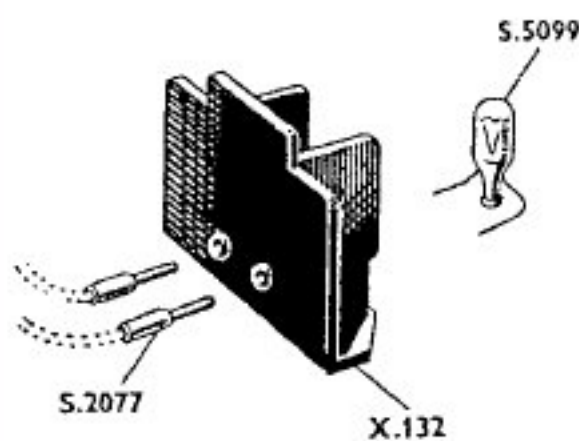
X.121 (For R.157)
Other Parts as for X.120



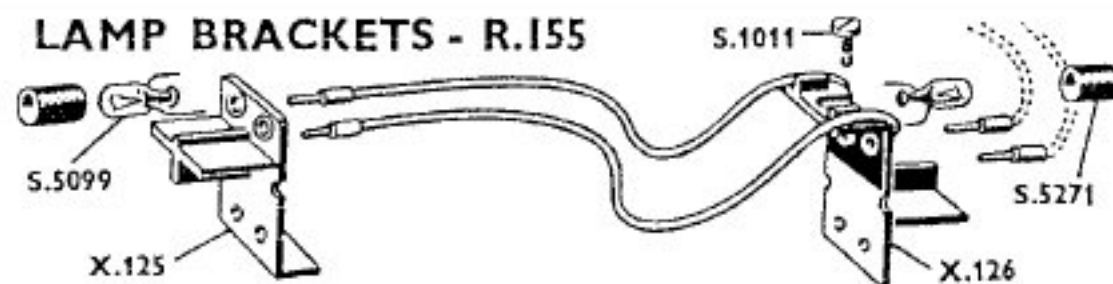
NOTE : Power Bogie X.122 supersedes that used in R.55 Mk. 1, as illustrated in Servicing Sheet No. 6. It may be used as a replacement for the earlier model in which case it will be necessary to fit Lamp Bracket X.144 in place of existing Lamp Bracket R.55/21 and lamp clips.

NOTE : To avoid loss of magnetism when withdrawing the armature assembly, pole pieces should not be separated from the magnet. A suitable keeper must be placed across the pole pieces.

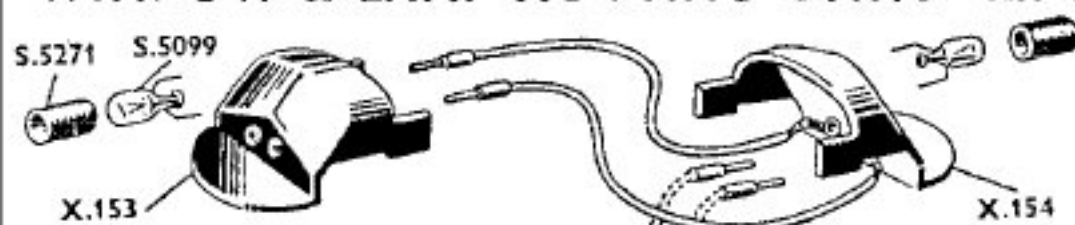
LAMP HOUSING - R.156



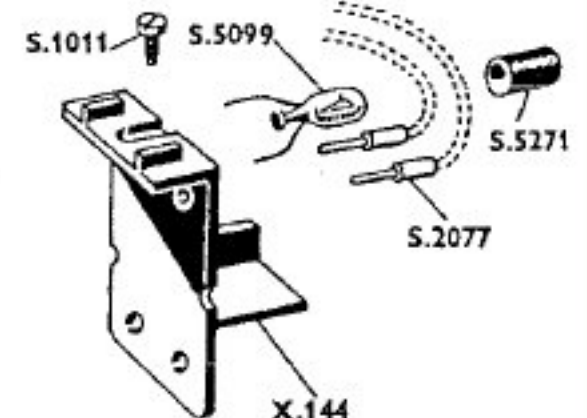
LAMP BRACKETS - R.155



WINDOW & LAMP HOUSING UNITS - R.159



LAMP BRACKET - R.55 Mk. 2



- X.120 Power Bogie for R.156
- X.121 Power Bogie for R.157
- X.122 Power Bogie for R.55 (Mk. 2), R.155 and R.159
- X.57 Collector Arm and Fibre with lead
- X.67 Brush Arm and Brush
- X.112 Armature Assembly (including Worms)
- X.113 Main Frame Assembly (X.122)
- X.114 Main Frame Assembly (X.120)
- X.115 Main Frame Assembly (X.121)
- X.119 T.V. Suppressor with leads and lamp plugs.
- X.125 Lamp Bracket (Floor mounting)
- X.126 Lamp Bracket with leads
- X.132 Lamp Housing
- X.144 Lamp Bracket (Top mounting)
- X.153 Window and Lamp Housing

- X.154 Window and Lamp Housing with leads
- X.155 T.V. Suppressor with lead (X.121)
- S.1011 Securing Screw for Collector, etc.
- S.1015 Pivot Pin for Power Bogie
- S.1038 Magnet Screw
- S.2008 Knurled Driving Axle
- S.2016 Worm Wheel
- S.2073 Bushed Wheel (Small) for Power Bogie
- S.2074 Unbushed Wheel (Small) for Power Bogie
- S.2075 Bushed Wheel (Large) for Power Bogie
- S.2076 Unbushed Wheel (Large) for Power Bogie
- S.2077 Lamp Plug

- S.3011 Pivot Pin Washer
- S.3120 Brush Gear Diaphragm
- S.3121 Brush Gear Return Spring
- S.3127 Spring Clip
- S.3128 Brush Spring
- S.4035 Pivot Bracket
- S.5065 Insulating Bush
- S.5076 Diesel Pilot
- S.5096 Thrust Ball
- S.5099 Headlamp Bulb
- S.5104 Spherical Bearing
- S.5108 Felt Lubricating Pad
- S.5141 Pole Piece
- S.5147 Magnet
- S.5237 Double Ended Diesel Pilot (not illustrated)
- S.5261 Insulating Sleeve
- S.5264 Diesel Switcher Pilot
- S.5271 Headlamp Sleeve

PRINTED IN ENGLAND



ROVEX SCALE MODELS LIMITED
WESTWOOD, MARGATE, KENT, ENGLAND
A Member of the Lines Bros. Group of Companies

SERVICING SHEET
No.12
Issued April, 1957