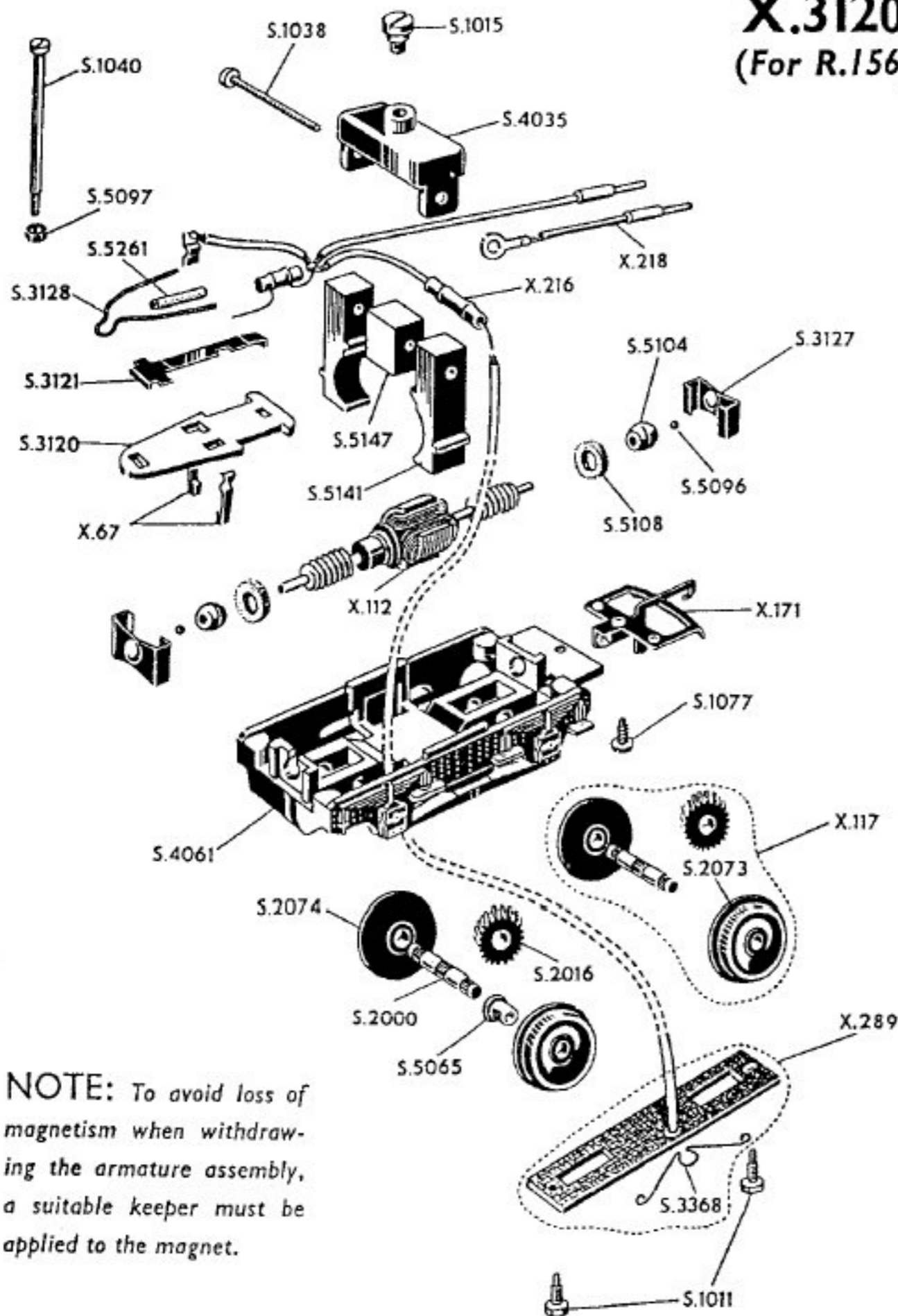


POWER BOGIES—R.156, R.157

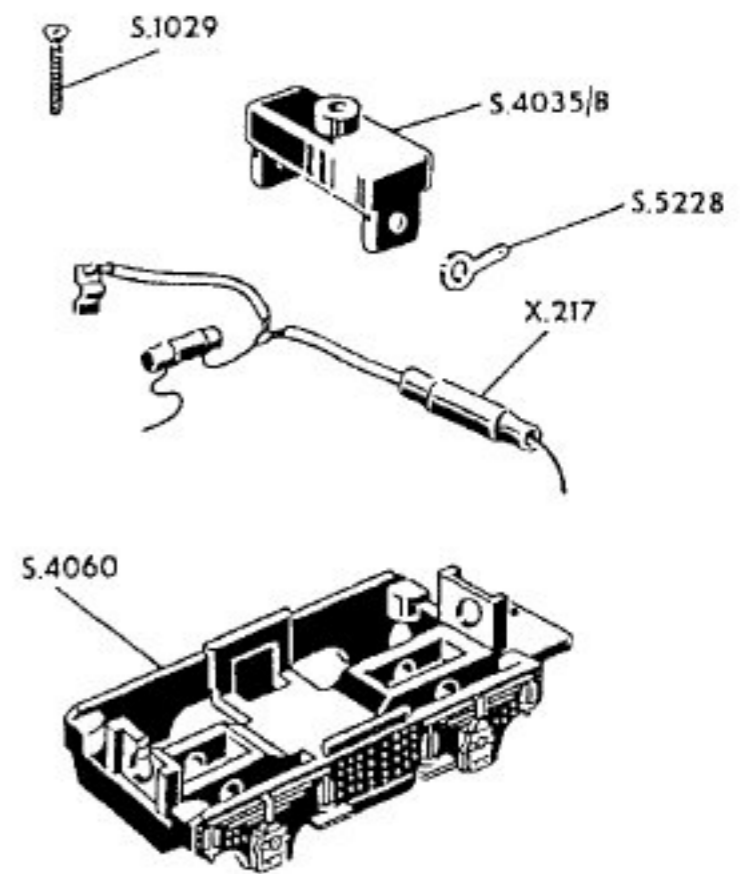
Replaces Servicing Sheet No. 12 for models produced from 1st January, 1959

X.3120 (For R.156)

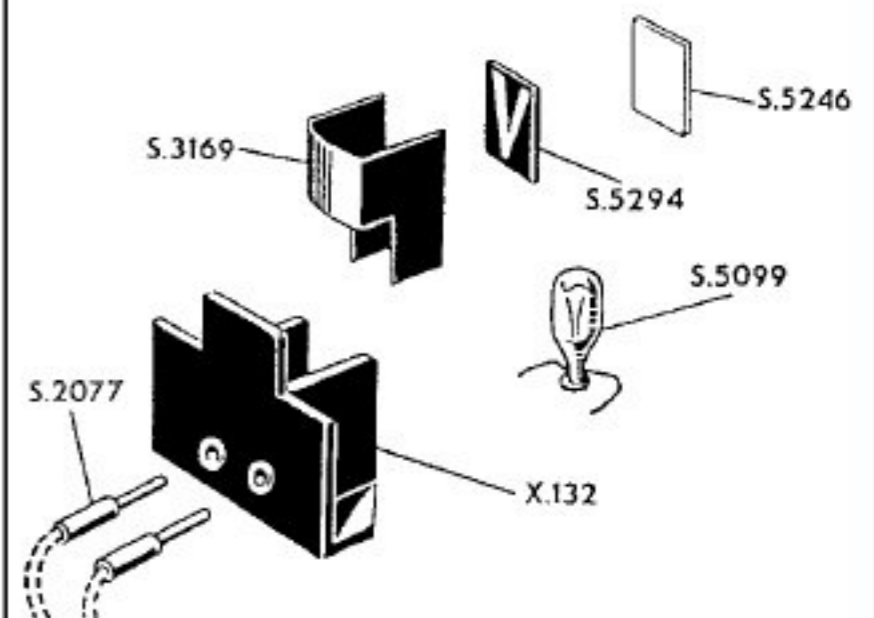


NOTE: To avoid loss of magnetism when withdrawing the armature assembly, a suitable keeper must be applied to the magnet.

X.3121 (For R.157) Other Parts as for X.3120



LAMP HOUSING—R.156



- | | | |
|--|---|---|
| X.3120 Power Bogie (Mk. 3 Coupling) for R.156 | X.289 Collector Diaphragm and Lead with Collector Spring | S.3128 Brush Spring |
| X.3121 Power Bogie (Mk. 3 Coupling) for R.157 | S.1011 Securing Screw for Collector, etc. | S.3169 Lamp Guard |
| X.67 Brush Arm and Brush | S.1015 Pivot Pin for Power Bogie | S.3368 Collector Spring |
| X.112 Armature Assembly (including commutator and worms) | S.1029 Roof Securing Screw for R.157 | S.4035 Pivot Bracket |
| X.117 Axle Assembly for B.R. Power Bogies X.3120 and X.3121 (comprising S.2073, S.2074, S.2016, S.2000) | S.1038 Magnet Screw | S.4035/B Pivot Bracket (Black) for R.157 |
| X.132 Lamp Housing | S.1040 Roof Securing Screw for R.156 | S.4060 Main Frame Casting |
| X.171 Mk. 3 Coupling Unit | S.1077 Coupling Screw (1/8") | S.4061 Main Frame Casting |
| X.216 T.V. Suppressors with Leads and Lamp Plug | S.2000 Knurled Driving Axle | S.5065 Insulating Bush |
| X.217 T.V. Suppressors with Lead and Brush Clip | S.2016 Worm Wheel (26 Teeth) | S.5096 Thrust Ball |
| X.218 Lamp Lead with Plug and Tag Washer | S.2073 Bushed Wheel (small) for Power Bogie | S.5097 Roof Securing Nut for R.156 |
| | S.2074 Unbushed Wheel (small) for Power Bogie | S.5099 Headlamp Bulb |
| | S.2077 Lamp Plug | S.5104 Spherical Bearing |
| | S.3120 Brush Gear Diaphragm | S.5108 Felt Lubricating Pad |
| | S.3121 Brush Gear Return Spring | S.5141 Pole Piece |
| | S.3127 Spring Clip | S.5147 Magnet |
| | | S.5228 Tag Washer (8 BA) |
| | | S.5246 Route Indicator Panel (Plain) |
| | | S.5261 Insulating Sleeve |
| | | S.5294 Route Indicator Panel (V) |

For Non-powered Bogies see Servicing Sheet No. 7a

Modifications are made to Tri-ang Railways models from time to time. If a spare part is required which does not coincide with the illustration, a full description should be given and, if necessary, a sketch or sample should accompany the order. REVISED MAY 1963

PRINTED IN ENGLAND



ROVEX SCALE MODELS LIMITED
WESTWOOD, MARGATE, KENT, ENGLAND
A Member of the Lines Bros. Group of Companies

SERVICING SHEET
No.12a
Issued January, 1960