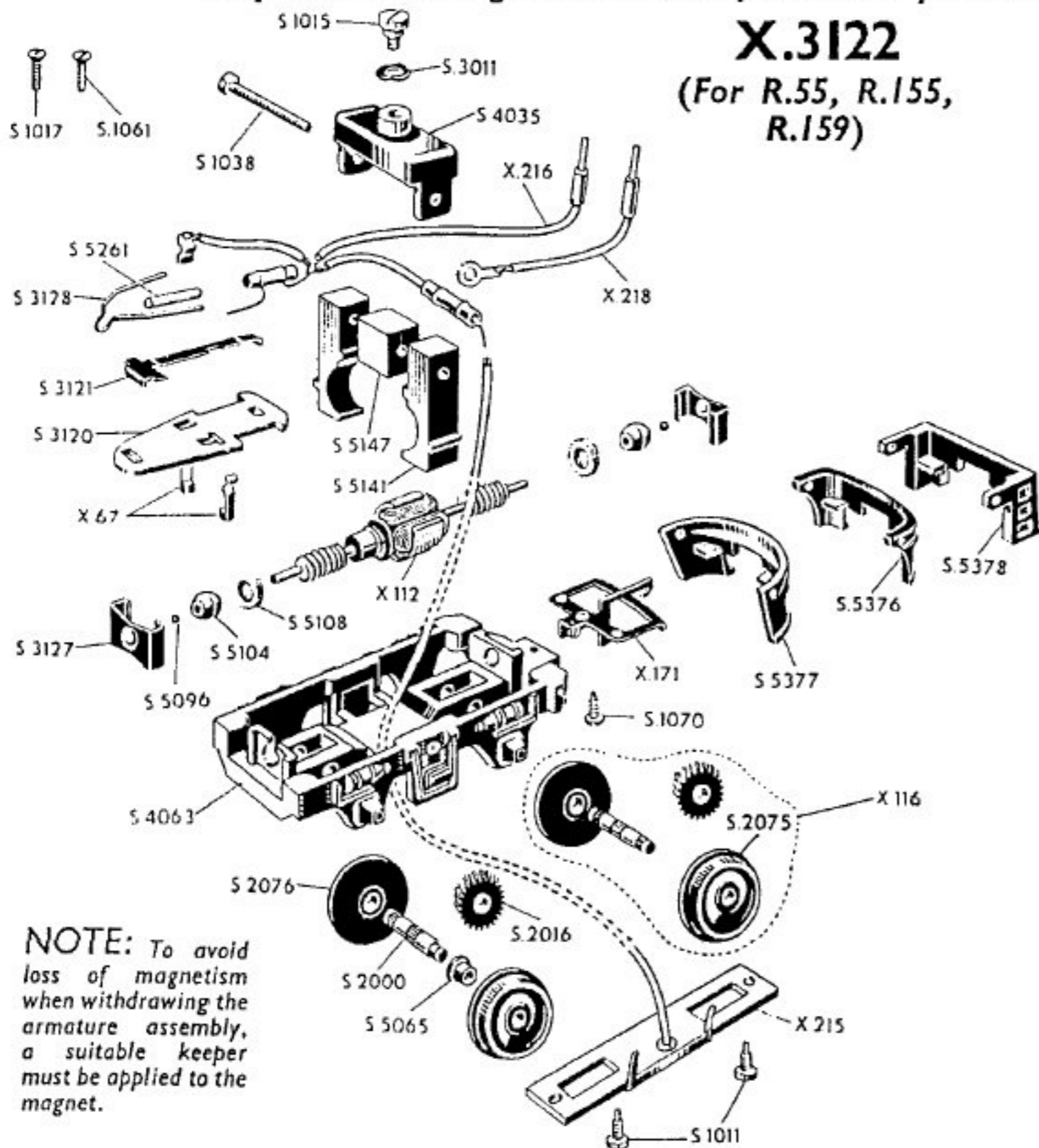


POWER BOGIES—R.55, R.155, R.159, R.253

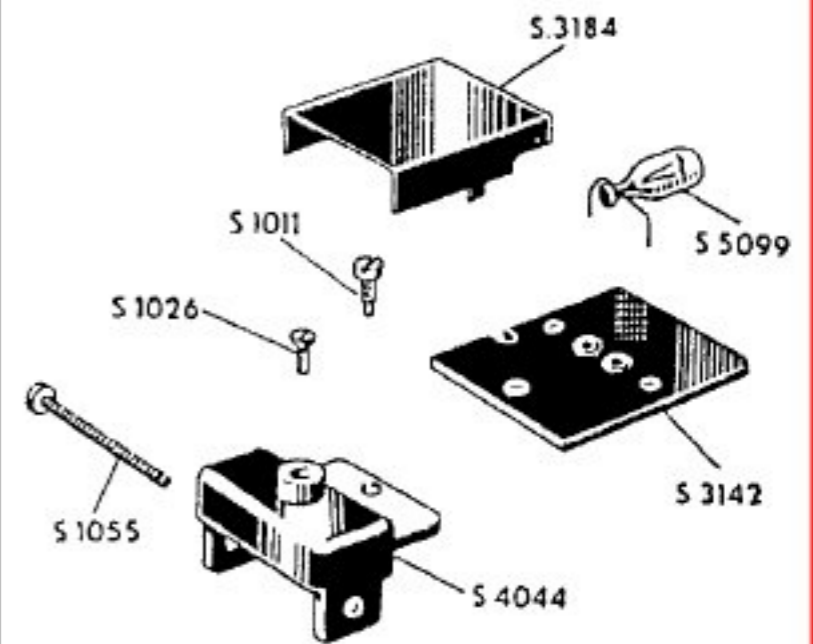
Replaces Servicing Sheet No. 12 for models produced from 1st January, 1959

X.3122 (For R.55, R.155, R.159)

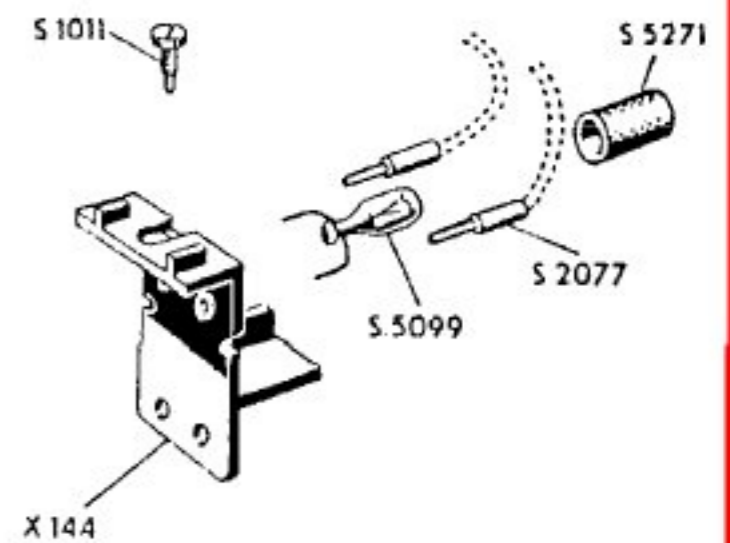
X.3166 (For R.253) Other Parts as for X.3122



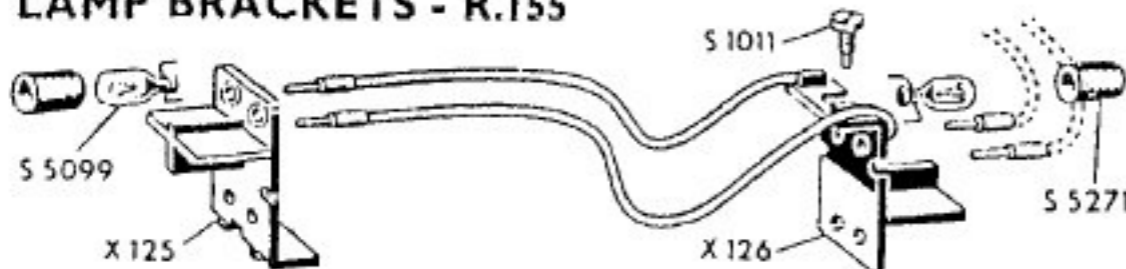
NOTE: To avoid loss of magnetism when withdrawing the armature assembly, a suitable keeper must be applied to the magnet.



LAMP BRACKET R.55



LAMP BRACKETS - R.155



WINDOW & LAMP HOUSING UNITS - R.159



- X.3122 Power Bogie (Mk. 3 Coupling) for R.55, R.155, R.159
- X.3166 Power Bogie (Mk. 3 Coupling) for R.253
- X.67 Brush Arm and Brush
- X.112 Armature Assembly (including commutator and worms)
- X.116 Axle Assembly for T.C. Power Bogies X.3122 and X.3166 (comprising S.2075, S.2076, S.2016, S.2000)
- X.125 Lamp Bracket (floor mounting)
- X.126 Lamp Bracket with Leads
- X.144 Lamp Bracket (top mounting)
- X.153 Window and Lamp Housing
- X.154 Window and Lamp Housing with Leads
- X.171 Mk. 3 Coupling Unit
- X.215 Collector Arm and Fibre with Lead
- X.216 T.V. Suppressors with Leads and Lamp Plug

- X.218 Lamp Lead with Plug and Tag Washer
- S.1011 Securing Screw for Collector, etc.
- S.1015 Pivot Pin for Power Bogie
- S.1017 Body/Chassis Securing Screw for R.55, R.155
- S.1026 Body Securing Screw for R.253
- S.1038 Magnet Screw
- S.1055 Magnet Screw
- S.1061 Roof Securing Screw for R.159
- S.1070 Coupling Screw (3/16")
- S.2000 Knurled Driving Axle
- S.2016 Worm Wheel (26 Teeth)
- S.2075 Bushed Wheel (large) for Power Bogie
- S.2076 Unbushed Wheel (large) for Power Bogie
- S.2077 Lamp Plug
- S.3011 Pivot Pin Washer for R.55, R.155

- S.3120 Brush Gear Diaphragm
- S.3121 Brush Gear Return Spring
- S.3127 Spring Clip
- S.3128 Brush Spring
- S.3142 Lamp Diaphragm
- S.3184 Lamp Shield
- S.4035 Pivot Bracket
- S.4044 Top Mounting Bracket
- S.4063 Main Frame Casting
- S.5065 Insulating Bush
- S.5096 Thrust Ball
- S.5099 Headlamp Bulb
- S.5104 Spherical Bearing
- S.5108 Felt Lubricating Pad
- S.5141 Pole Piece
- S.5147 Magnet
- S.5261 Insulating Sleeve
- S.5271 Headlamp Sleeve
- S.5376 Pilot for R.55
- S.5377 Pilot for R.159
- S.5378 Pilot for R.155

For Non-powered Bogie see Servicing Sheet No. 5a

Modifications are made to Triang Railways models from time to time. If a spare part is required which does not coincide with the illustration, a full description should be given and, if necessary, a sketch or sample should accompany the order.

PRINTED IN ENGLAND



ROVEX SCALE MODELS LIMITED
WESTWOOD, MARGATE, KENT, ENGLAND
A Member of the Lines Bros. Group of Companies

SERVICING SHEET
No. 12b
Issued January, 1960