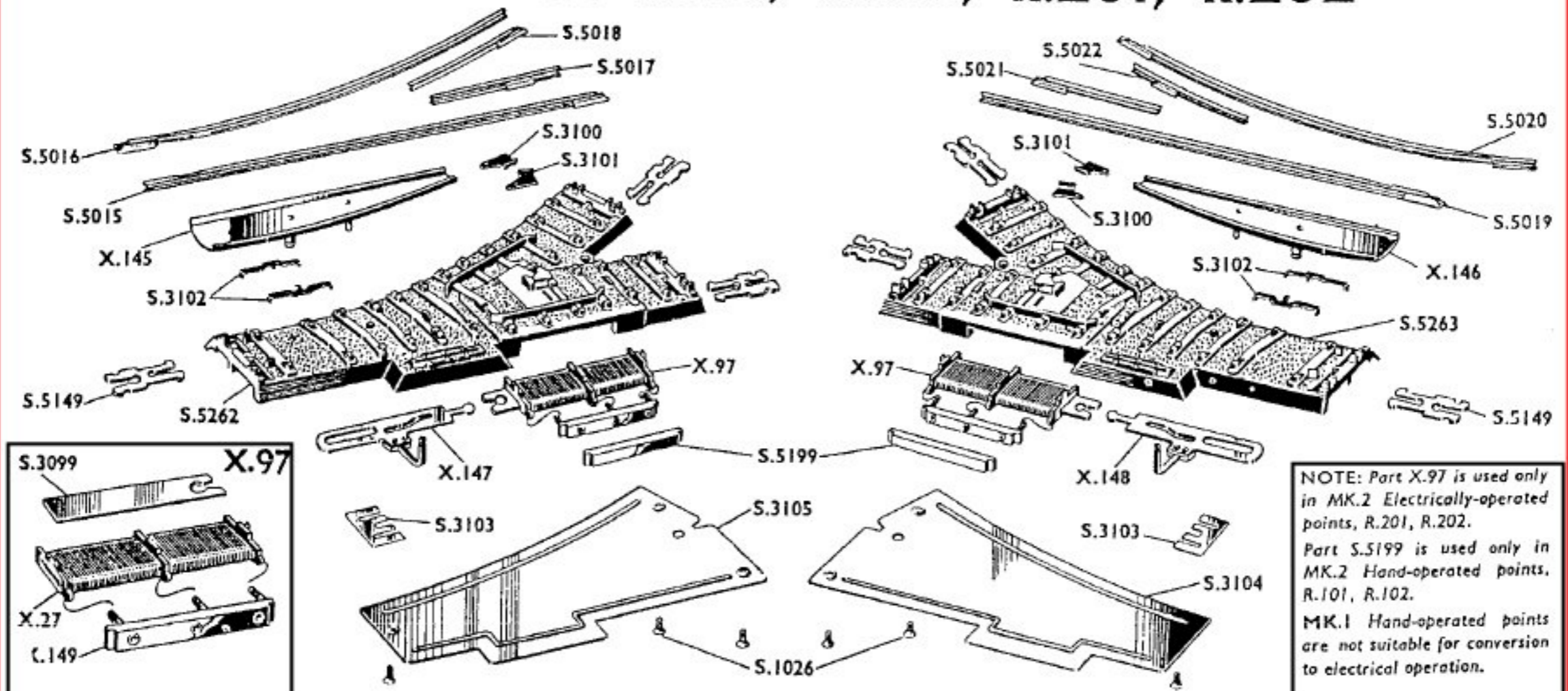
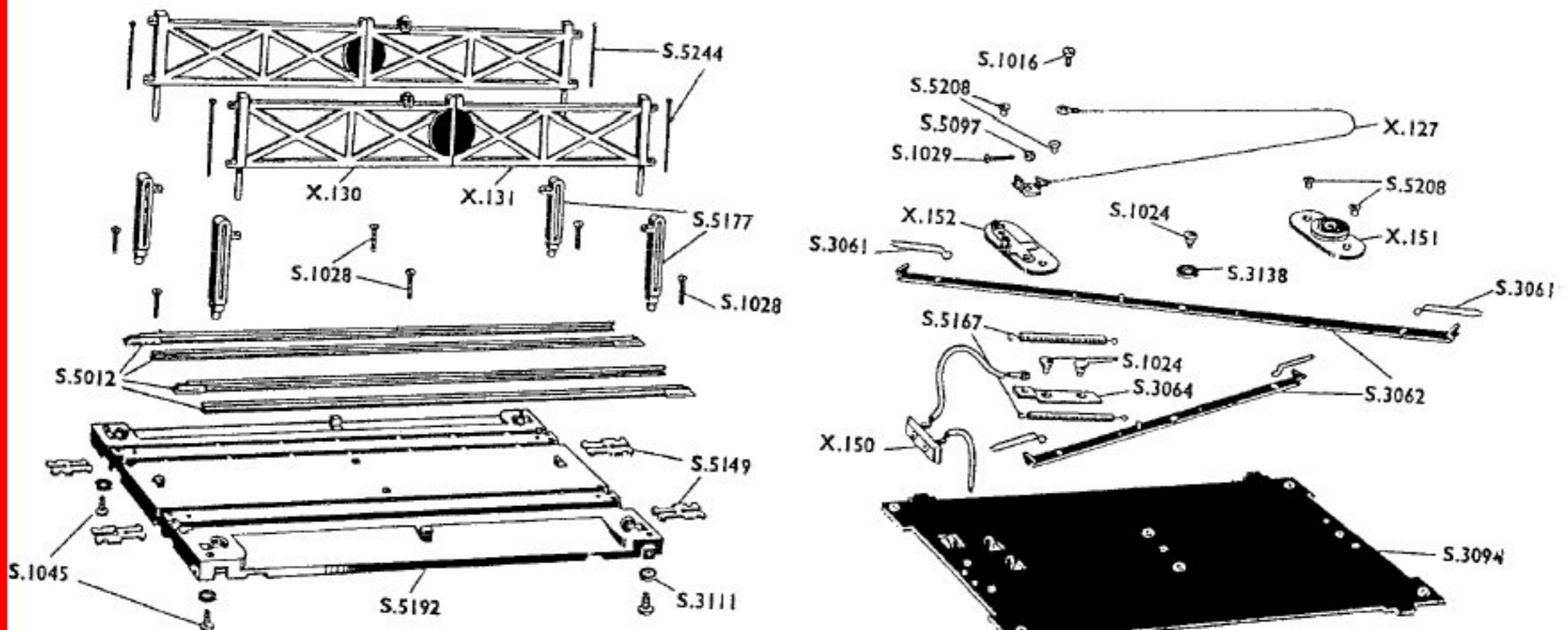


## POINTS MK.2—R.101, R.102, R.201, R.202



## B.R. LEVEL CROSSING—R.170 (Electrically-operated)



- |        |   |        |                                  |        |                                 |
|--------|---|--------|----------------------------------|--------|---------------------------------|
| X.27   | Solenoid  | S.1026 | Point Base Screw                 | S.5016 | Rail—Long Curve (L/H Point)     |
| X.97   | Solenoid Assembly                                       | S.1028 | Level Crossing Base Screw        | S.5017 | Rail—Short Straight (L/H Point) |
| X.127  | Actuating Element                                       | S.1029 | Adjusting Screw                  | S.5018 | Rail—Short Curve (L/H Point)    |
| X.128  | Base Plate Assembly (not including element)             | S.1045 | Gate Post Securing Screw         | S.5019 | Rail—Long Straight (R/H Point)  |
| X.129  | Track Base Assembly (including rails and track tongues) | S.3061 | Compensating Spring              | S.5020 | Rail—Long Curve (R/H Point)     |
| X.130  | Left Hand Gate  | S.3062 | Gate Actuating Arm               | S.5021 | Rail—Short Straight (R/H Point) |
| X.131  | Right Hand Gate   | S.3064 | Cam                              | S.5022 | Rail—Short Curve (R/H Point)    |
| X.145  | Left Hand Frog  | S.3094 | Base Plate (B.R. Level Crossing) | S.5097 | 8BA Nut                         |
| X.146  | Right Hand Frog   | S.3099 | Armature                         | S.5149 | Track Tongue                    |
| X.147  | Left Hand Cam Plate                                     | S.3100 | Frog Contact                     | S.5167 | Tension Spring                  |
| X.148  | Right Hand Cam Plate                                    | S.3101 | Frog Contact                     | S.5177 | Gate Post                       |
| X.149  | Terminal Plate—Triple                                   | S.3102 | Stock Rail Contact               | S.5192 | Level Crossing Base Moulding    |
| X.150  | Terminal Plate—Double                                   | S.3103 | Spring Clip                      | S.5199 | Blanking Plate                  |
| X.151  | Pulley Assembly   | S.3104 | Base Plate (R/H Point)           | S.5209 | Eyelet                          |
| X.152  | Adjuster Bracket Assembly                               | S.3105 | Base Plate (L/H Point)           | S.5244 | Gate Pivot Pin                  |
| S.1016 | Element Securing Screw                                  | S.3111 | Gate Post Washer                 | S.5262 | Track Base Moulding (L/H)       |
| S.1024 | Shouldered Rivet  | S.3138 | Actuating Arm Washer             | S.5263 | Track Base Moulding (R/H)       |
|        |   | S.5012 | Rail—Standard Straight           |        |                                 |
|        |   | S.5015 | Rail—Long Straight (L/H Point)   |        |                                 |

