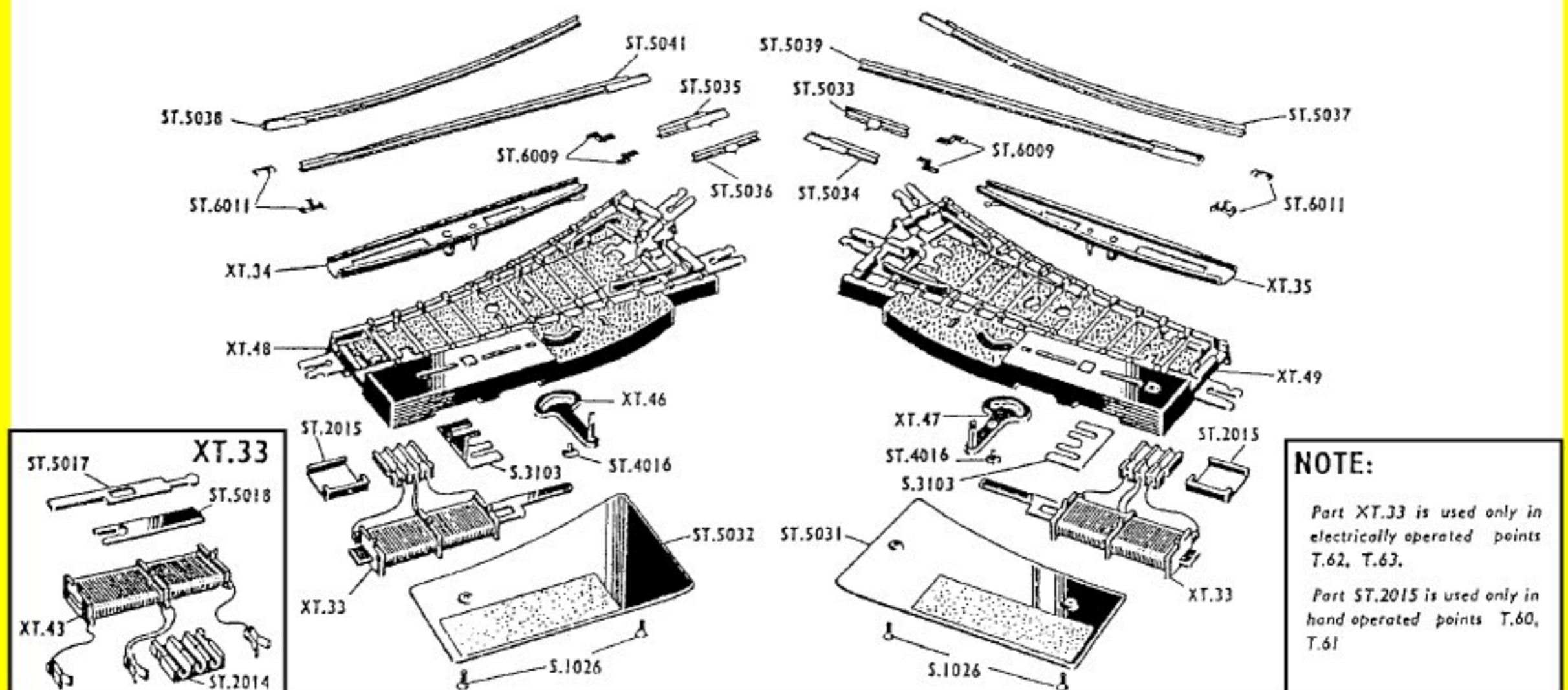


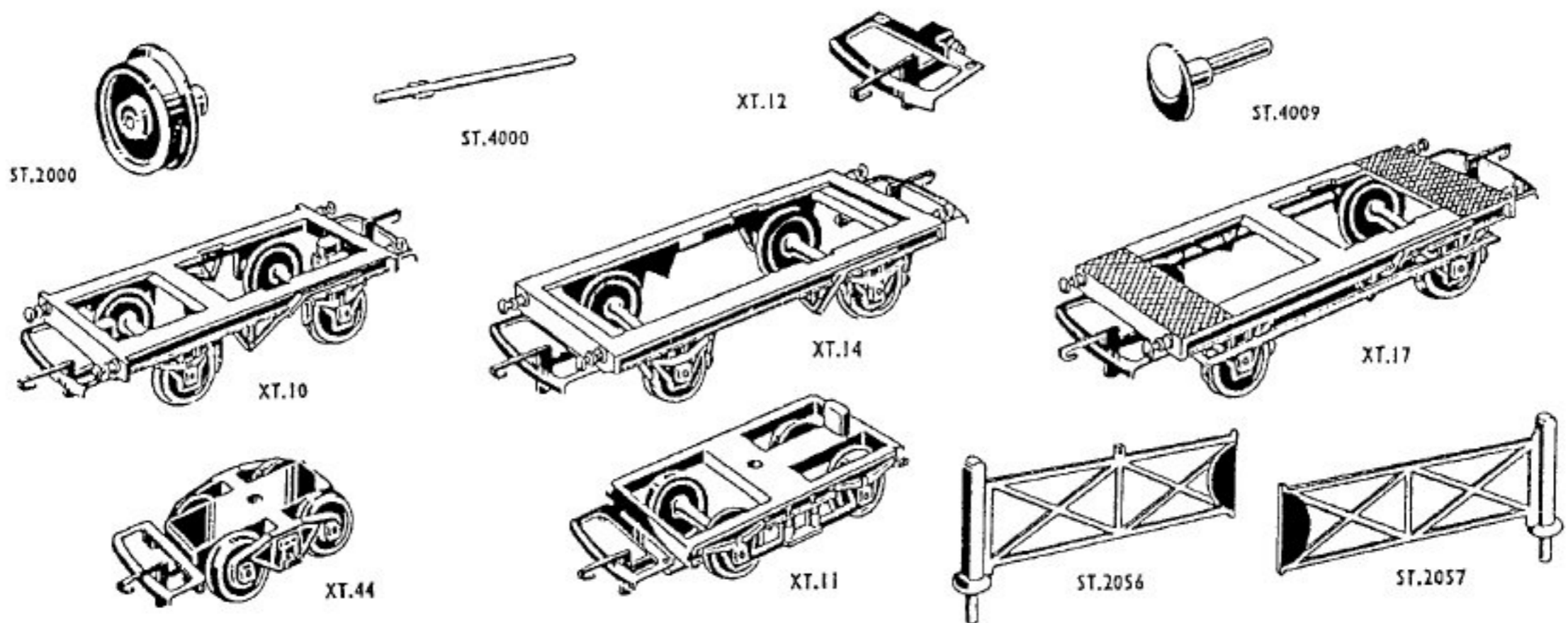
## POINTS - T.60, T.61, T.62, T.63



**NOTE:**

Part XT.33 is used only in electrically operated points T.62, T.63.  
Part ST.2015 is used only in hand operated points T.60, T.61

## T.T. GENERAL SPARES - 1



- |       |   |         |                              |         |                                 |
|-------|---|---------|------------------------------|---------|---------------------------------|
| XT.10 | Wagon Chassis (short)                             | XT.48   | Track Base (L/H)             | ST.5032 | Base Plate (L/H)                |
| XT.11 | Coach Bogie                                       | XT.49   | Track Base (R/H)             | ST.5033 | Rail—Short Curve (R/H Point)    |
| XT.12 | Coupling Unit                                     | ST.2000 | Standard Rolling Stock Wheel | ST.5034 | Rail—Short Straight (R/H Point) |
| XT.14 | Wagon Chassis (long wheelbase)                    | ST.2014 | Terminal Plate               | ST.5035 | Rail—Short Curve (L/H Point)    |
| XT.17 | Wagon Chassis (long wheelbase with running board) | ST.2015 | Blanking Plate               | ST.5036 | Rail—Short Straight (L/H Point) |
| XT.33 | Solenoid Assembly                                 | ST.2056 | Level Crossing Gate (L/H)    | ST.5037 | Rail—Long Curve (R/H Point)     |
| XT.34 | Frog Assembly (L/H)                               | ST.2057 | Level Crossing Gate (R/H)    | ST.5038 | Rail—Long Curve (L/H Point)     |
| XT.35 | Frog Assembly (R/H)                               | ST.4000 | Standard Rolling Stock Axle  | ST.5039 | Rail—Long Straight (R/H Point)  |
| XT.43 | Solenoid  | ST.4009 | Coach Buffer                 | ST.5041 | Rail—Long Straight (L/H Point)  |
| XT.44 | Diamond Frame Bogie                               | ST.4016 | Cam Retaining Screw          | ST.6009 | Frog Contact                    |
| XT.46 | Cam Arm Assembly (L/H)                            | ST.5017 | Armature Link                | ST.6011 | Stock Rail Contact              |
| XT.47 | Cam Arm Assembly (R/H)                            | ST.5018 | Armature                     | S.1026  | Base Plate Securing Screw       |
|       |   | ST.5031 | Base Plate (R/H)             | S.3103  | Spring Clip                     |

