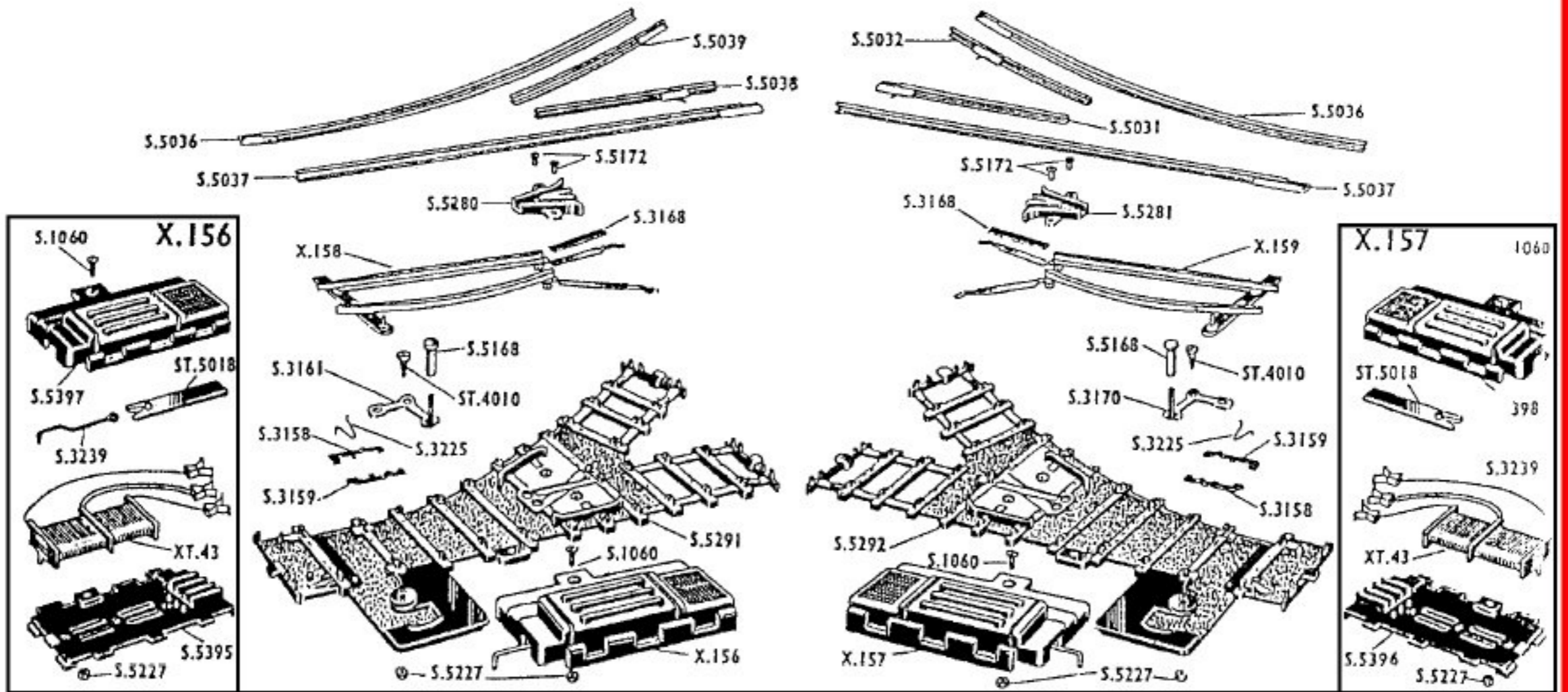
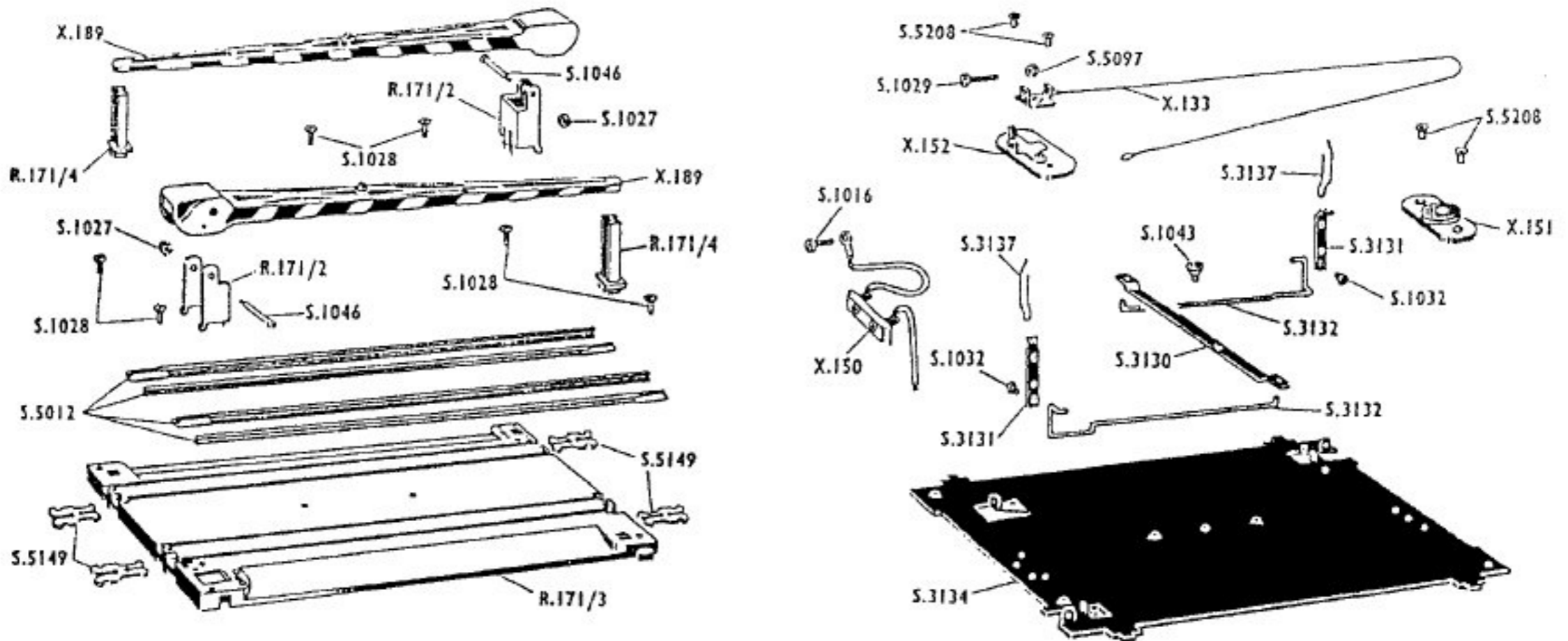


SERIES 3. POINTS - R291, R292, R293, R294



T.C. LEVEL CROSSING - R.171 (Electrically operated)



| | | | | | |
|---------|------------------------------|--------|----------------------------------|---------|---------------------------------|
| R.171/2 | Boom Pillar | S.1060 | Solenoid Assembly Securing Screw | S.5039 | Short Rail—Curved (L/H) |
| R.171/3 | Level Crossing Base Moulding | S.3130 | Operating Lever | S.5097 | 8 BA Nut |
| R.171/4 | Boom Support | S.3131 | Boom Actuating Arm | S.5149 | Track Tongue |
| X.133 | Actuating Element | S.3132 | Connecting Link | S.5168 | Hollow Button |
| X.150 | Terminal Plate—Double | S.3134 | Base Plate (T.C. Level Crossing) | S.5172 | Frog Eyelet |
| X.151 | Pulley Assembly | S.3137 | Compensating Spring | S.5208 | Eyelet |
| X.152 | Adjuster Bracket Assembly | S.3158 | Switch Rail Contact (L/H) | S.5227 | 8 BA Half Nut |
| X.156 | Solenoid Assembly (L/H) | S.3159 | Switch Rail Contact (R/H) | S.5280 | Frog (L/H) |
| X.157 | Solenoid Assembly (R/H) | S.3161 | Bell Crank Lever (L/H) | S.5281 | Frog (R/H) |
| X.158 | Blade Assembly (L/H) | S.3168 | Insulating Strip | S.5291 | Track Base (L/H) |
| X.159 | Blade Assembly (R/H) | S.3170 | Bell Crank Lever (R/H) | S.5292 | Track Base (R/H) |
| X.189 | Boom Assembly | S.3225 | Locking Spring | S.5395 | Solenoid Plate (L/H) |
| S.1016 | Lead Securing Screw | S.3239 | Armature Link | S.5396 | Solenoid Plate (R/H) |
| S.1027 | Boom Pivot Screw Nut | S.5012 | Rail—Standard Straight | S.5397 | Solenoid Cover (L/H) |
| S.1028 | Base Securing Screw | S.5031 | Short Rail—Straight (R/H) | S.5398 | Solenoid Cover (R/H) |
| S.1029 | Adjusting Screw | S.5032 | Short Rail—Curved (R/H) | XT.43 | Solenoid |
| S.1032 | Actuating Arm Rivet | S.5036 | Rail—Curved | ST.4010 | Bell Crank Lever Securing Screw |
| S.1043 | Centre Pivot Pin | S.5037 | Rail—Straight | ST.5018 | Armature |
| S.1046 | Boom Pivot Screw | S.5038 | Short Rail—Straight (L/H) | | |

PRINTED IN ENGLAND



ROVEX SCALE MODELS LIMITED
WESTWOOD, MARGATE, KENT, ENGLAND
A Member of the Lines Bros. Group of Companies

SERVICING SHEET
No. 17
Issued January, 1959