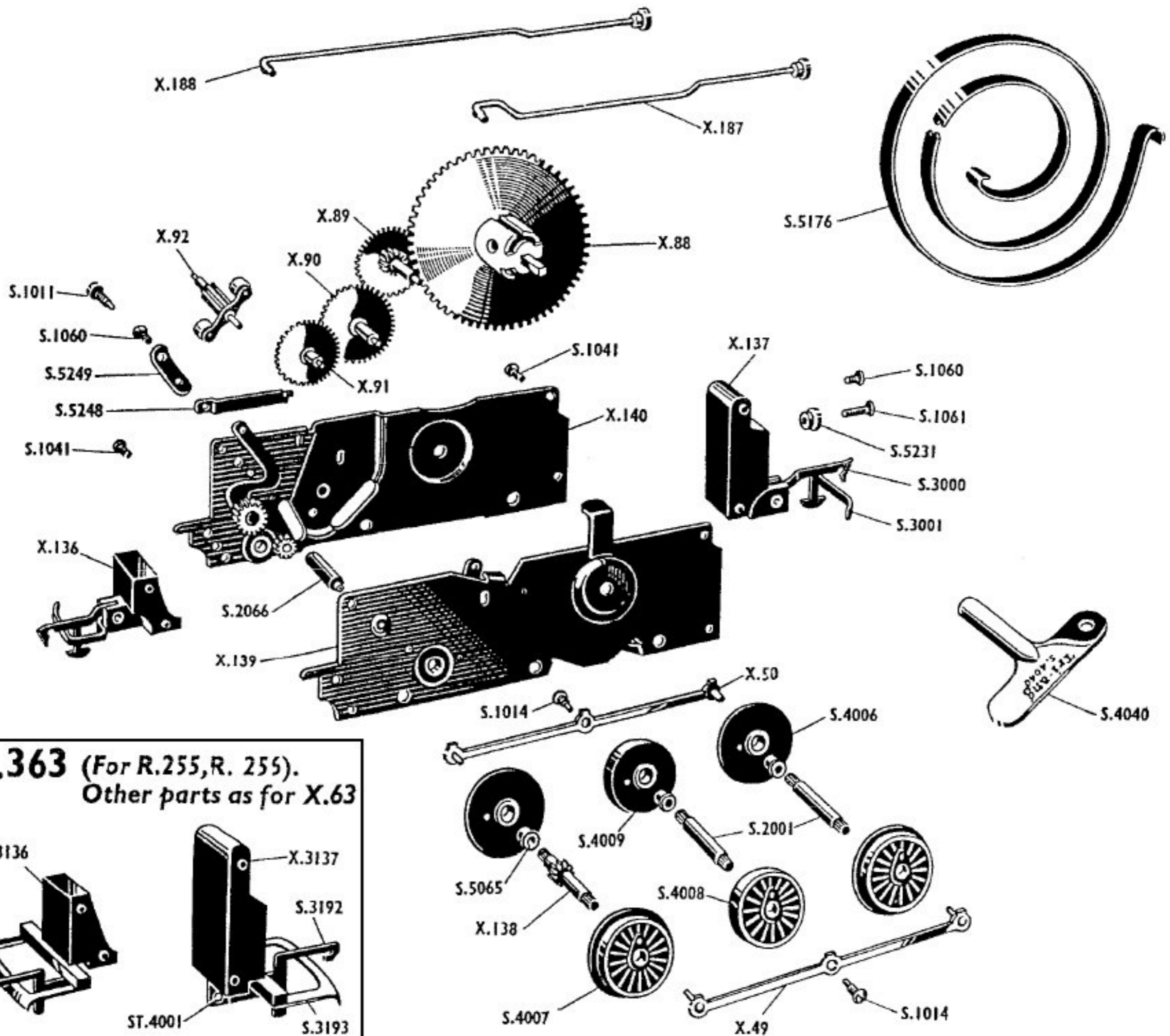
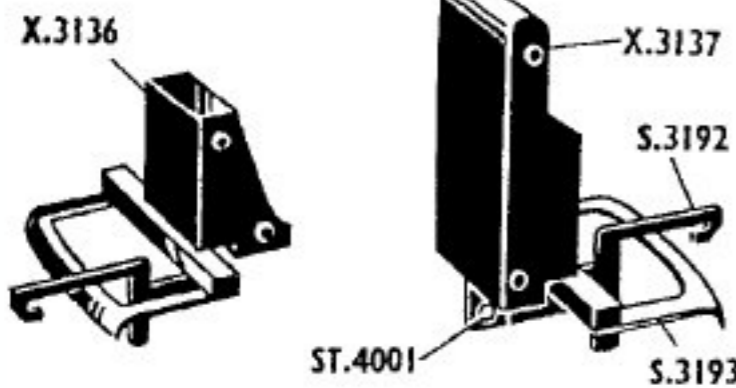


CLOCKWORK CHASSIS X.63 (For R.151, R.154)



X.363 (For R.255, R.256). Other parts as for X.63



X.49	Coupling Rod with Pins (L/H)	X.188	Reverse Arm	S.3001	Coupling Bar (Mk. 2)
X.50	Coupling Rod with Pins (R/H)	X.363	Complete Chassis (R.255, R.256)	S.3192	Coupling Hook (Mk. 3)
X.63	Complete Chassis (R.151, R.154)	X.3136	Front Weight and Coupling (R.255, R.256)	S.3193	Coupling Bar (Mk. 3)
X.88	Winding Gear Assembly	X.3137	Rear Weight and Coupling (R.255, R.256)	S.4006	Flanged Bushed Driving Wheel
X.89	1st Intermediate Gear Assembly	S.1011	Governor Control Spring Securing Screw	S.4007	Flanged Unbushed Driving Wheel
X.90	2nd Intermediate Gear Assembly	S.1014	Coupling Rod Screw	S.4008	Flangeless Unbushed Driving Wheel
X.91	3rd Intermediate Gear Assembly	S.1041	Side Frame Securing Screw	S.4009	Flangeless Bushed Driving Wheel
X.92	Governor Assembly	S.1060	Governor Adjusting Screw, Saddle	S.4040	Winding Key
X.136	Front Weight and Coupling (R.151, R.154)	S.1061	Tank Body Securing Screw	S.5065	Insulating Bush
X.137	Rear Weight and Coupling (R.151, R.154)	S.2001	Diesel Shunter Body Securing Screw	S.5176	Main Spring
X.138	Driving Axle Assembly	S.2066	Plain Driving Axle	S.5231	Spacing Bush (for use with Diesel Shunter Body only)
X.139	Side Frame Assembly (L/H)	S.3000	Side Frame Spacer	S.5248	Reverse Lever Spring Gate
X.140	Side Frame Assembly (R/H)			S.5249	Governor Control Spring
X.187	Brake Arm			ST.4001	Coupling Hook Rivet

