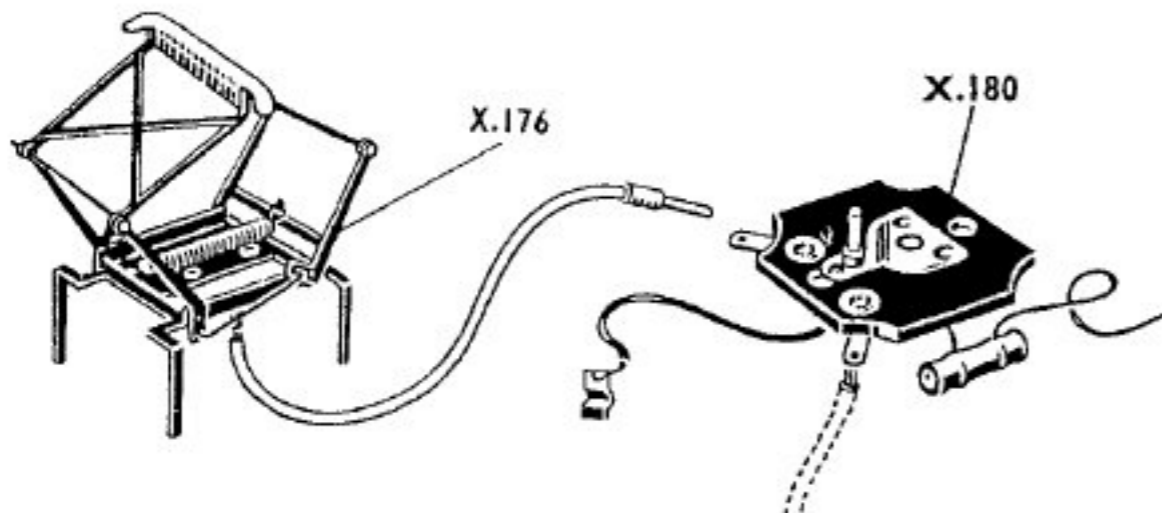
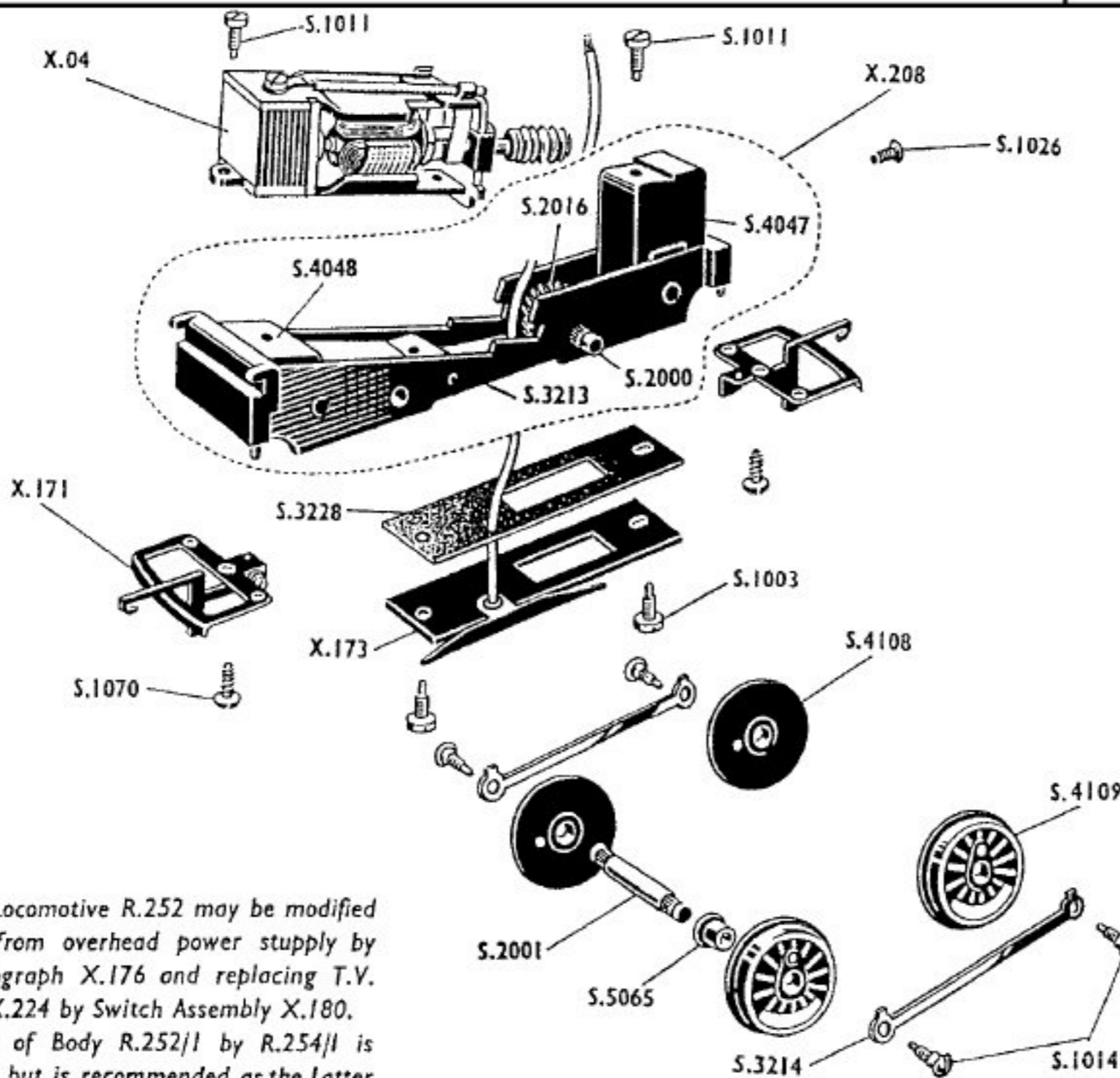
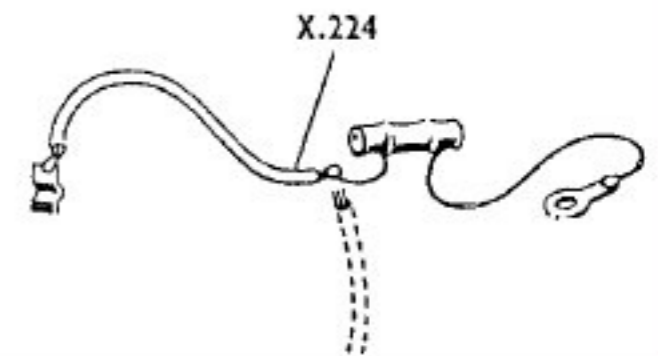


CHASSIS, MOTOR, PANTOGRAPH, ETC. R.252, R.254, R.355, R.359, R.559

Parts for
R.254 only

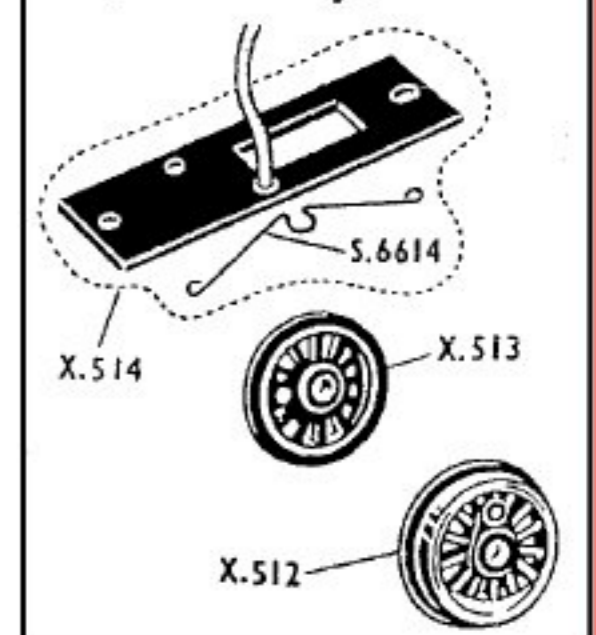


Parts for
R.252, R.355
R.359, R.559



Parts for
R.252, R.254
R.355, R.359
and R.559

Parts as Fitted
from May, 1963



NOTE: Locomotive R.252 may be modified to operate from overhead power supply by fitting Pantograph X.176 and replacing T.V. Suppressor X.224 by Switch Assembly X.180. Replacement of Body R.252/1 by R.254/1 is not essential but is recommended as the latter bears the printed switch position indications.

X.04 Motor complete with Worm
X.171 Mk. 3 Coupling Unit
X.173 Collector Arm and Fibre with Lead
X.176 Operating Pantograph with Lead and Plug
X.180 Switch Assembly
X.208 Main Frame Assembly
X.224 T.V. Suppressor with Lead and Brush Clip
X.512 Flanged Bushed Driving Wheel
X.513 Flanged Unbushed Driving Wheel

X.514 Collector Diaphragm and Lead with Collector Spring
S.1003 Collector Screw
S.1011 Securing Screw for Motor, Suppressor and Switch Assembly
S.1014 Coupling Rod Screw
S.1026 Body Securing Screw
S.1070 Coupling Screw (3/16")
S.2000 Knurled Driving Axle
S.2001 Plain Driving Axle
S.2016 Worm Wheel (26 Teeth)
S.3213 Side Frame

S.3214 Coupling Rod
S.3228 Collector Insulator
S.4047 Front Weight
S.4048 Rear Weight
S.4108 Flanged Unbushed Driving Wheel
S.4109 Flanged Bushed Driving Wheel
S.5065 Insulating Bush
S.6614 Collector Spring
R.252/1 Body only for R.252 (not illustrated)
R.254/1 Body only for R.254 (not illustrated)

Modifications are made to Tri-ang Railways models from time to time. If a spare part is required which does not coincide with the illustration, a full description should be given and, if necessary, a sketch or sample should accompany the order. REVISED MAY 1963

PRINTED IN ENGLAND



ROVEX SCALE MODELS LIMITED
WESTWOOD, MARGATE, KENT, ENGLAND
A Member of the Lines Bros. Group of Companies

SERVICING SHEET
No. 19
Issued January, 1960