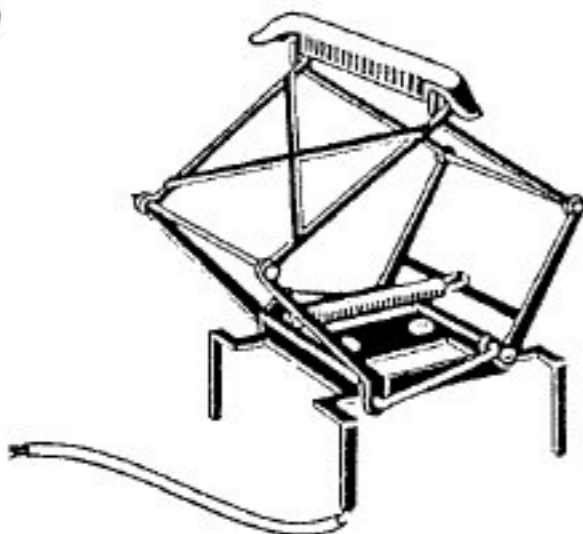
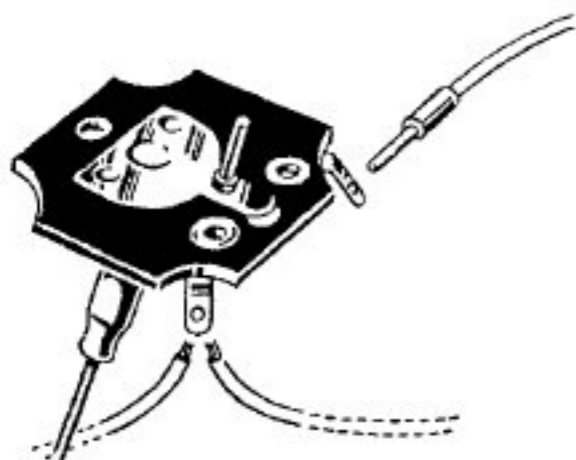


## POWER BOGIE, PANTOGRAPH, ETC. - R.257

X.176



X.209

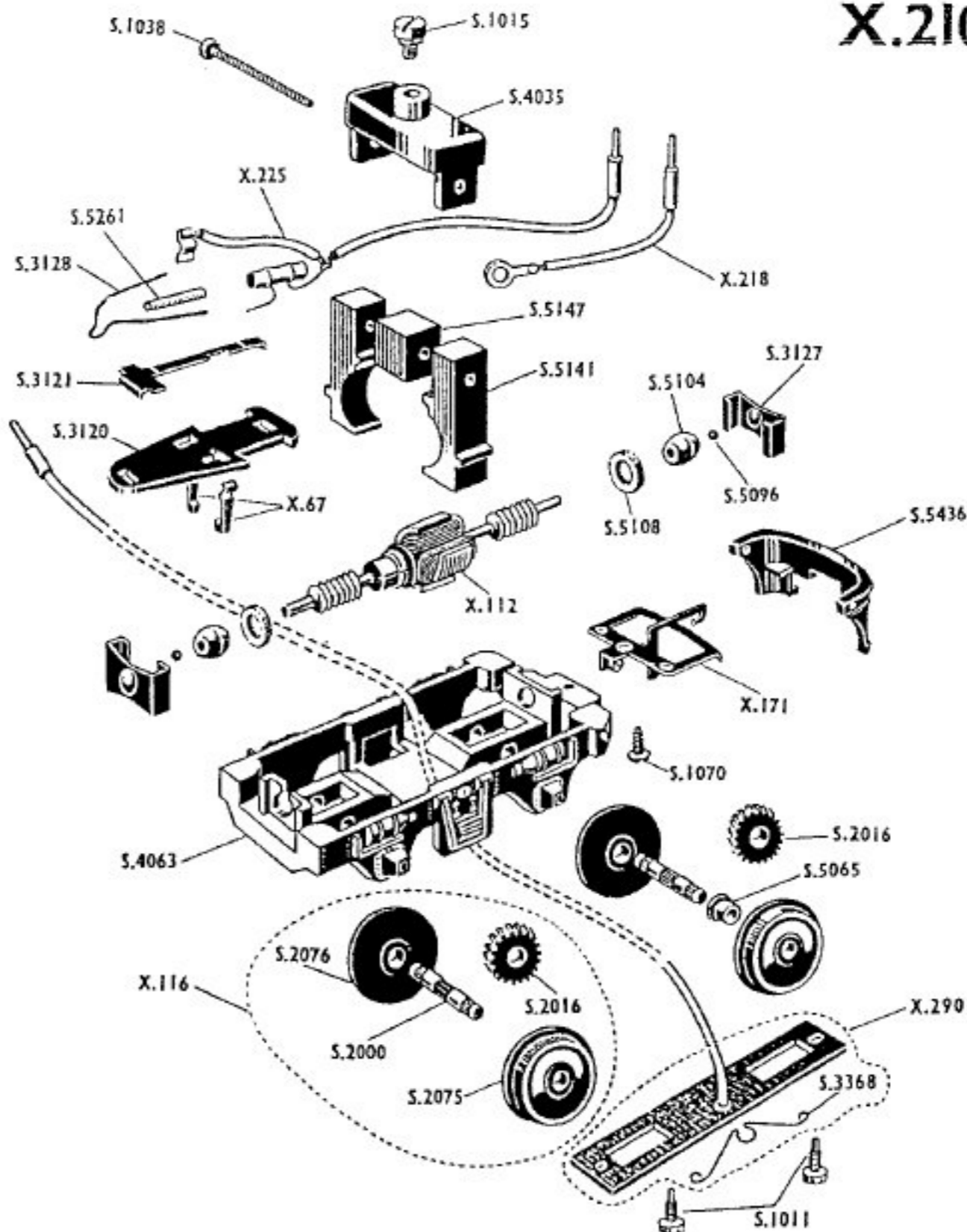


**NOTE:** To avoid loss of magnetism when withdrawing the armature assembly, a suitable keeper must be applied to the magnet

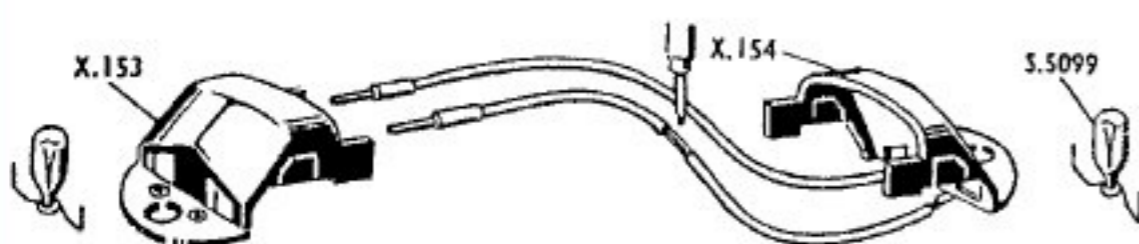
**COLOUR CODE FOR LEADS:**

RED Brush lead and live lamp leads  
BLACK Return lamp leads  
BROWN Collector lead  
WHITE Pantograph leads

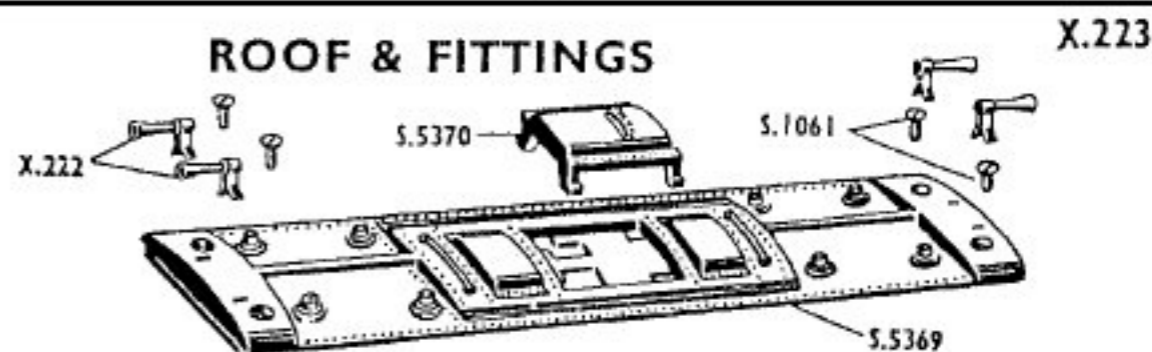
X.210



### WINDOW & LAMP HOUSING UNITS



### ROOF & FITTINGS



- X.210 Power Bogie for R.257
- X.67 Brush Arm and Brush
- X.112 Armature Assembly (including commutator and worms)
- X.116 Axle Assembly for Power Bogie X.210 (comprising S.2075, S.2076, S.2016, S.2000)
- X.153 Window and Lamp Housing
- X.154 Window and Lamp Housing with Leads
- X.171 Mk. 3 Coupling Unit
- X.176 Operating Pantograph with Lead
- X.209 Switch Assembly
- X.218 Lamp Lead with Plug and Tag Washer
- X.222 Diesel Horn and Clip
- X.223 Roof Assembly with Horns and Switch Panel

- X.225 T.V. Suppressor with Leads, Brush Clip and Lamp Plug.
- X.234 Roof Assembly complete with Pantographs and Switch
- X.290 Collector Diaphragm and lead with Collector Spring
- S.1011 Collector Screw
- S.1015 Pivot Pin for Power Bogie
- S.1038 Magnet Screw
- S.1061 Roof Securing Screw
- S.1070 Coupling Screw (1/8")
- S.2000 Knurled Driving Axle
- S.2016 Worm Wheel (26 Teeth)
- S.2075 Bushed Wheel (large) for Power Bogie
- S.2076 Unbushed Wheel (large) for Power Bogie
- S.3120 Brush Gear Diaphragm
- S.3121 Brush Gear Return Spring

- S.3127 Spring Clip
- S.3128 Brush Spring
- S.3368 Collector Spring
- S.4035 Pivot Bracket
- S.4063 Main Frame Casting
- S.5065 Insulating Bush
- S.5096 Thrust Ball
- S.5099 Headlamp Bulb
- S.5104 Spherical Bearing
- S.5108 Felt Lubricating Pad
- S.5141 Pole Piece
- S.5147 Magnet
- S.5261 Insulating Sleeve
- S.5369 Roof Moulding R.257
- S.5370 Switch Panel
- S.5436 Pilot for R.257
- R.257/1 Body Only for R.257 (not illustrated)

Modifications are made to Tri-ang Railways models from time to time. If a spare part is required which does not coincide with the illustration, a full description should be given and, if necessary, a sketch or sample should accompany the order. REVISED MAY 1963

PRINTED IN ENGLAND



**ROVEX SCALE MODELS LIMITED**  
WESTWOOD, MARGATE, KENT, ENGLAND  
A Member of the Lines Bros. Group of Companies

**SERVICING SHEET**  
No. 20  
Issued January, 1960