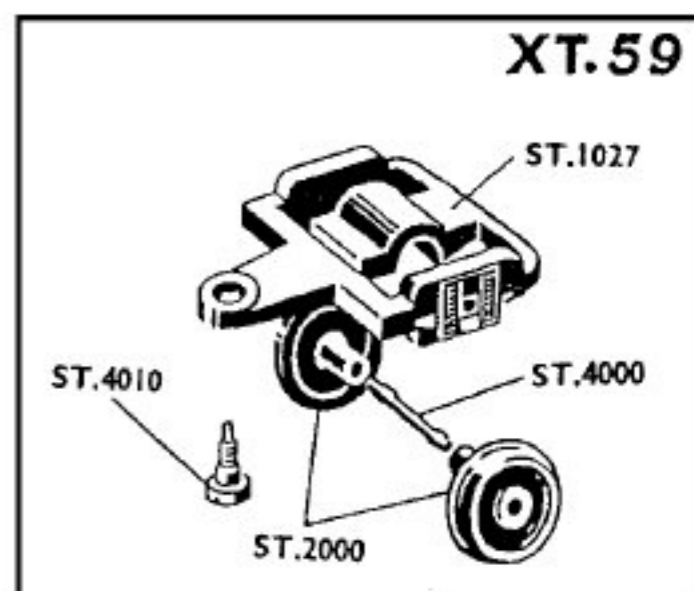
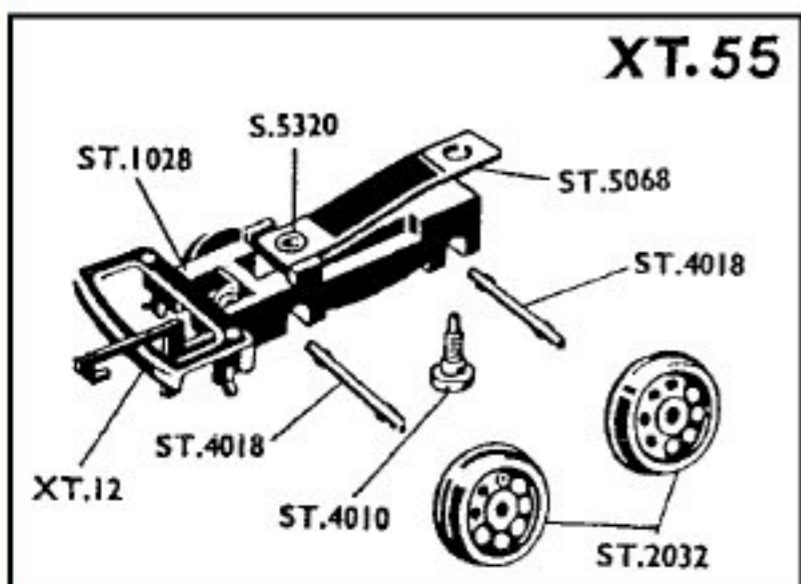
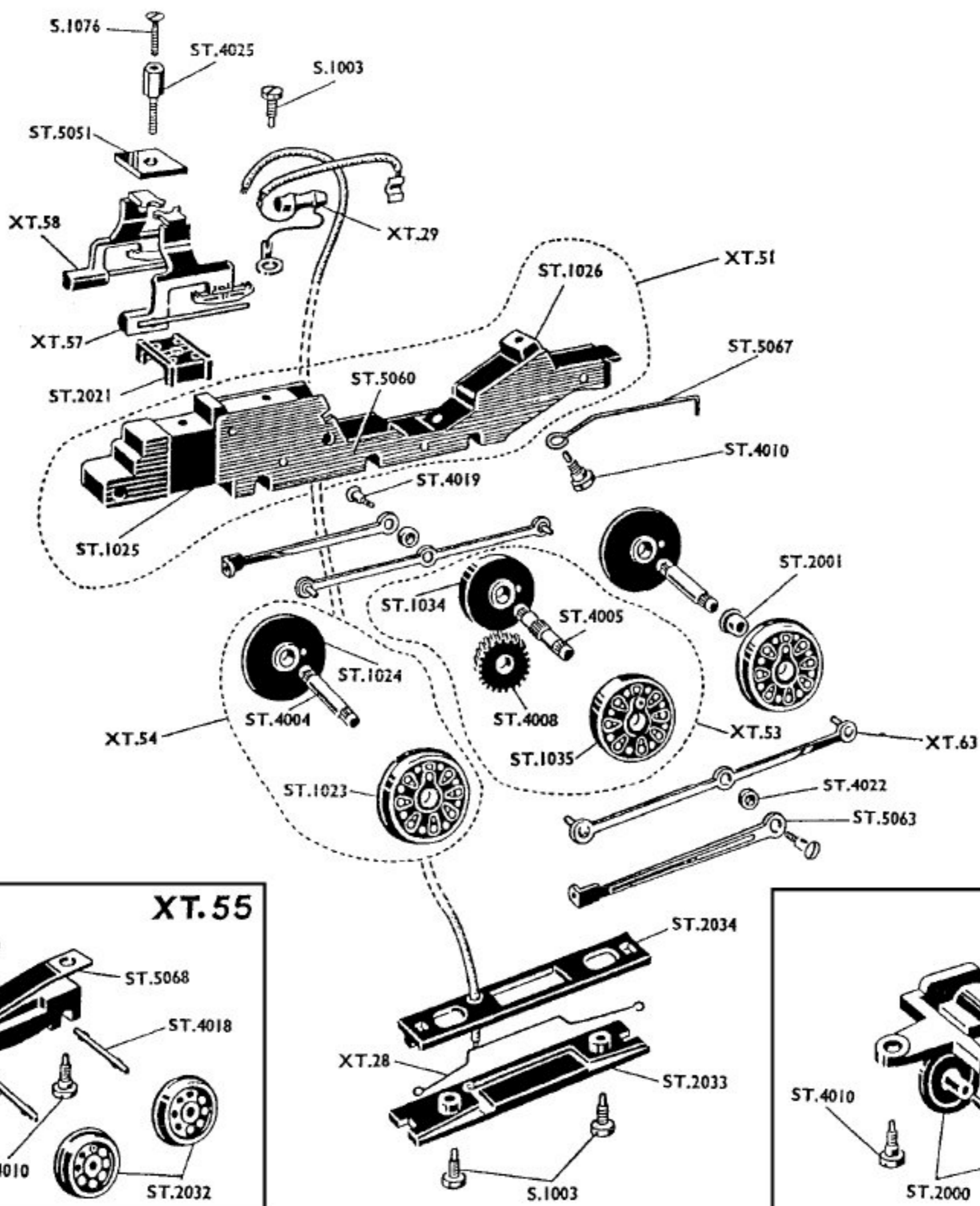


## CHASSIS, BOGIE & PONY TRUCK - T.93



- |       |  |         |                                   |         |   |
|-------|--|---------|-----------------------------------|---------|---|
| XT.12 | Coupling Unit  | ST.1023 | Flanged Bushed Driving Wheel      | ST.4005 | Locomotive Axle—Knurled                   |
| XT.28 | Collector Arm with Lead  | ST.1024 | Flanged Unbushed Driving Wheel    | ST.4008 | Worm Wheel (26 Teeth)                     |
| XT.29 | T.V. Suppressor with Lead and Brush Clip                             | ST.1025 | Front Weight                      | ST.4010 | Brush Gear, Drawbar and Bogie Screw, etc. |
| XT.51 | Main Frame Assembly (comprising ST.1025, ST.1026, 2-ST.5060)         | ST.1026 | Rear Weight                       | ST.4018 | Locomotive Bogie Axle                     |
| XT.53 | Centre Axle Assembly (comprising ST.1034, ST.1035, ST.4005, ST.4008) | ST.1027 | Pony Truck-Frame (XT.59)          | ST.4019 | Coupling Rod Screw                        |
| XT.54 | Front and Rear Axle Assembly—(comprising ST.1023, ST.1024, ST.4004)  | ST.1028 | Bogie Frame (XT.55)               | ST.4022 | Connecting Rod Spacer                     |
| XT.55 | Loco Bogie   | ST.1034 | Flangeless Unbushed Driving Wheel | ST.4025 | Body Fixing Stud                          |
| XT.57 | Slide Bar Assembly (L/H)   | ST.1035 | Flangeless Bushed Driving Wheel   | ST.5051 | Slide Bar Top Plate                       |
| XT.58 | Slide Bar Assembly (R/H)   | ST.2000 | Standard Rolling Stock Wheel      | ST.5060 | Main Frame                                |
| XT.59 | Pony Truck   | ST.2001 | Wheel Insulating Bush             | ST.5063 | Connecting Rod and Crosshead              |
| XT.63 | Coupling Rod with Pins   | ST.2021 | Slide Bar Mounting                | ST.5067 | Drawbar                                   |
|       |  | ST.2032 | Locomotive Bogie Wheel            | ST.5068 | Bogie Link                                |
|       |  | ST.2033 | Collector Diaphragm               | S.1003  | Collector Securing Screw                  |
|       |  | ST.2034 | Collector Backing Plate           | S.1076  | Body Fixing Screw                         |
|       |  | ST.4000 | Standard Rolling Stock Axle       | S.5320  | Eyelet                                    |
|       |  | ST.4004 | Locomotive Axle—Plain             |         |   |

For Motor see Servicing Sheet No. 21

PRINTED IN ENGLAND



**ROVEX SCALE MODELS LIMITED**  
 WESTWOOD, MARGATE, KENT, ENGLAND  
 A Member of the Lines Bros. Group of Companies

**SERVICING SHEET**  
 No. 22  
 Issued January, 1960