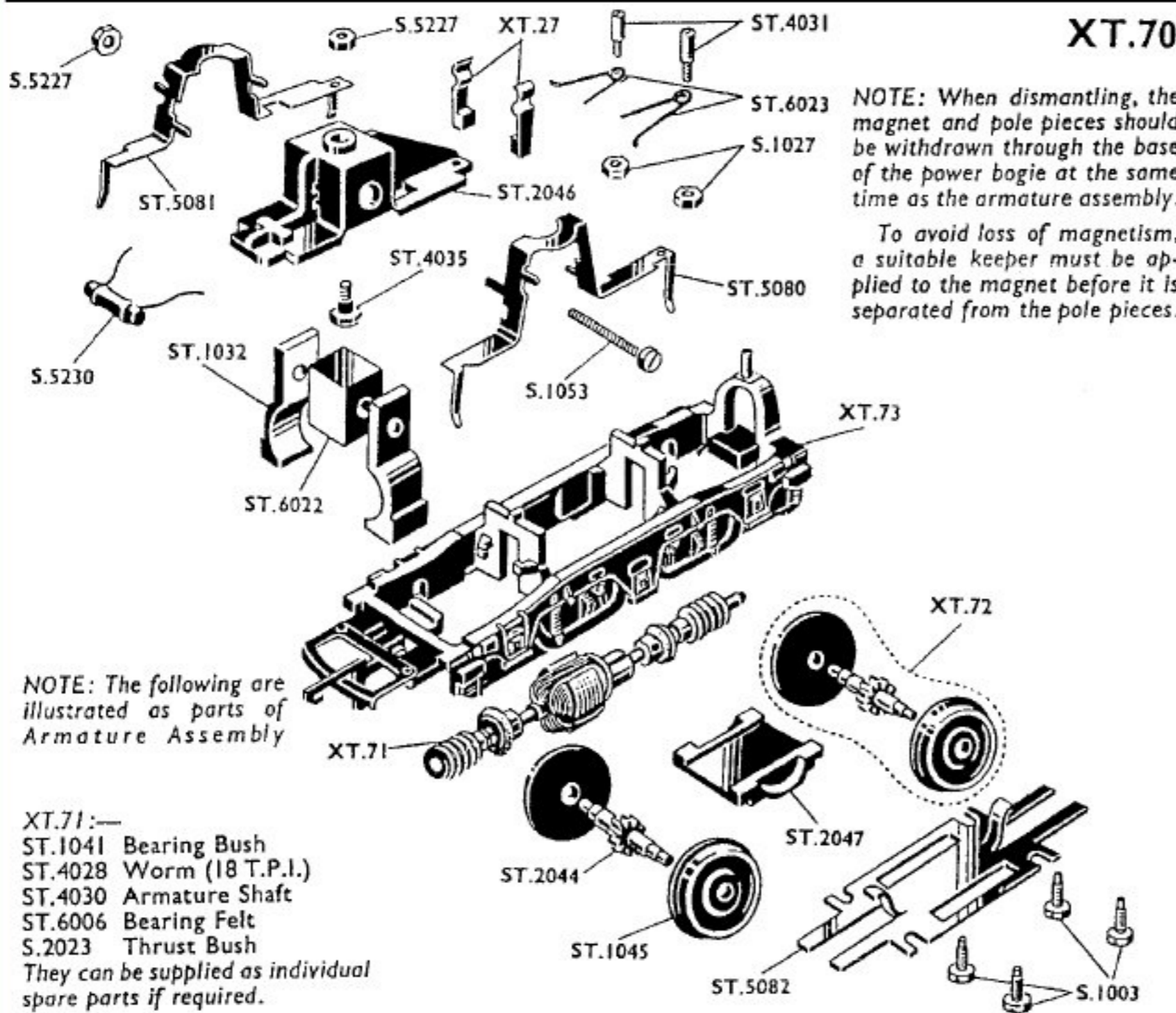
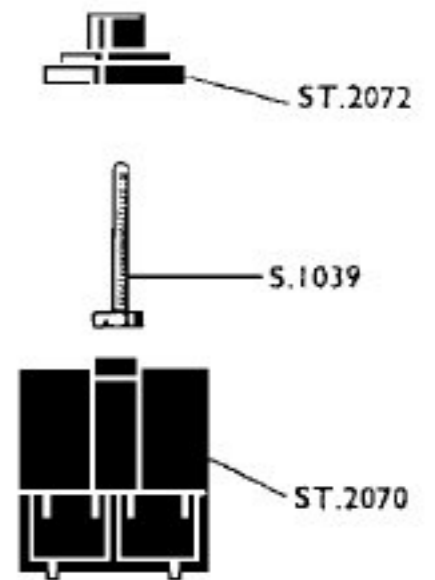
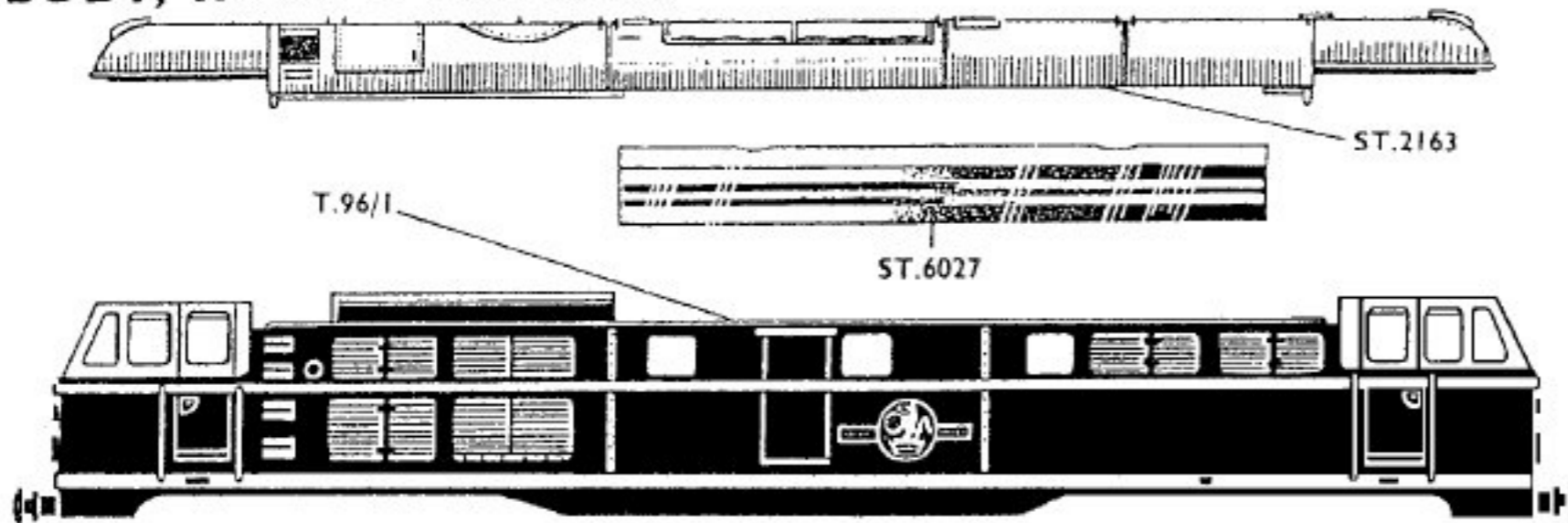


LOCOMOTIVE - T.96

BODY, ROOF & FITTINGS



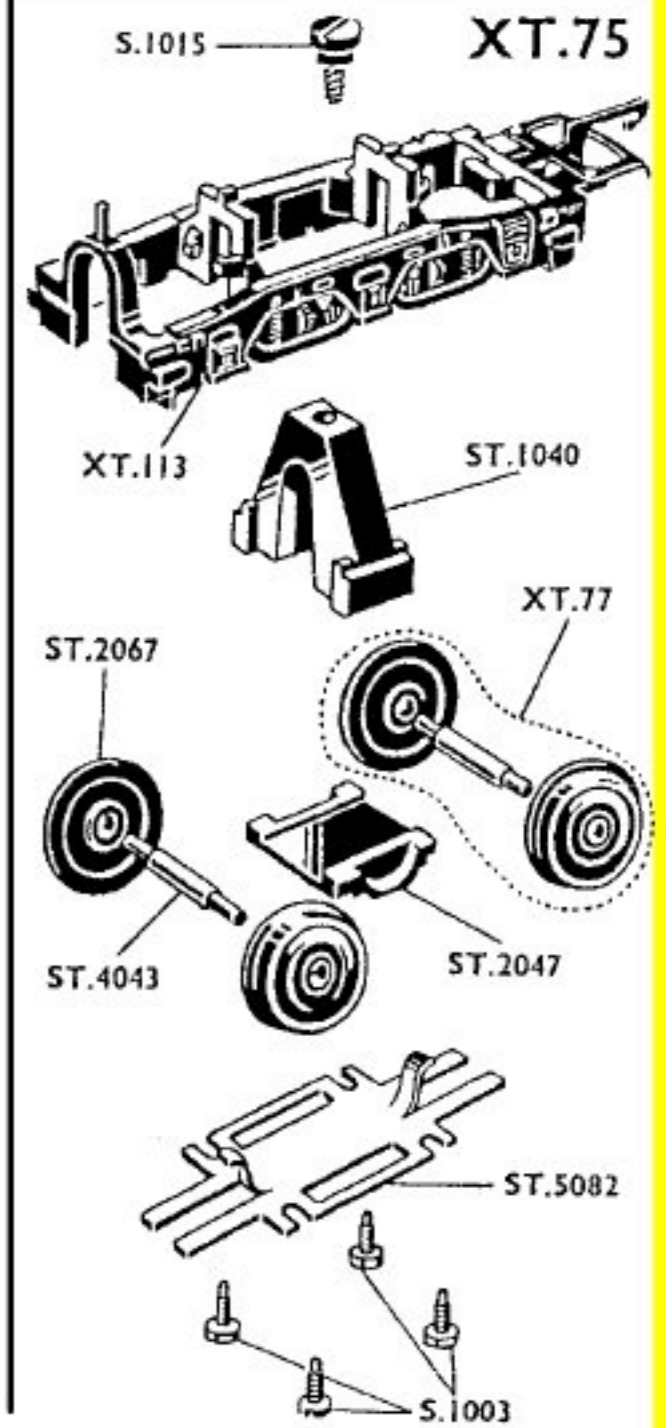
XT.70

NOTE: When dismantling, the magnet and pole pieces should be withdrawn through the base of the power bogie at the same time as the armature assembly.

To avoid loss of magnetism, a suitable keeper must be applied to the magnet before it is separated from the pole pieces.

NOTE: The following are illustrated as parts of Armature Assembly

XT.71:—
 ST.1041 Bearing Bush
 ST.4028 Worm (18 T.P.I.)
 ST.4030 Armature Shaft
 ST.6006 Bearing Felt
 S.2023 Thrust Bush
 They can be supplied as individual spare parts if required.



- T.96/1 Body complete with cab windows
- XT.12 Coupling Unit (not shown separately)
- XT.27 Brush Arm and Brush
- XT.70 Power Bogie
- XT.71 Armature Assembly (including commutator, worms and bearings)
- XT.72 Axle Assembly for Power Bogie XT.70 (comprising 2—ST.1045, 1—ST.2044)
- XT.73 Power Bogie Chassis (comprising Chassis Casting ST.1033, Coupling Unit XT.12, Coupling Rivets ST.4047 and Adhesion Magnet ST.1053)

- XT.75 Non-powered Bogie
- XT.77 Axle Assembly for Non-powered Bogie XT.75 (comprising 2—ST.2067, 1—ST.4043)
- XT.113 Non-powered Bogie Chassis
- ST.1032 Pole Piece
- ST.1040 Pivot Bracket
- ST.1045 Wheel for Power Bogie
- ST.2044 Worm Wheel and Axle
- ST.2046 Top Housing
- ST.2047 Dummy Wheel Unit
- ST.2067 Wheel for Non-powered Bogie
- ST.2070 Underframe
- ST.2072 Roof Screw Boss
- ST.2163 Roof Moulding
- ST.4031 Brush Spring Post
- ST.4035 Pivot Screw

- ST.4043 Non-powered Bogie Axle
- ST.4047 Coupling Fixing Rivet (not shown separately)
- ST.5080 Collector Unit (L/H)
- ST.5081 Collector Unit (R/H)
- ST.5082 Keeper Plate
- ST.6022 Magnet
- ST.6023 Brush Spring
- ST.6027 Window Strip
- S.1003 Keeper Plate Securing Screw
- S.1015 Pivot Pin
- S.1027 Brush Spring Post Securing Nut
- S.1039 Roof Fixing Screw
- S.1053 Magnet Screw
- S.5227 Pivot and Magnet Screw Nut
- S.5230 Capacitor

Modifications are made to Tri-ang Railways models from time to time. If a spare part is required which does not coincide with the illustration, a full description should be given and, if necessary, a sketch or sample should accompany the order.

