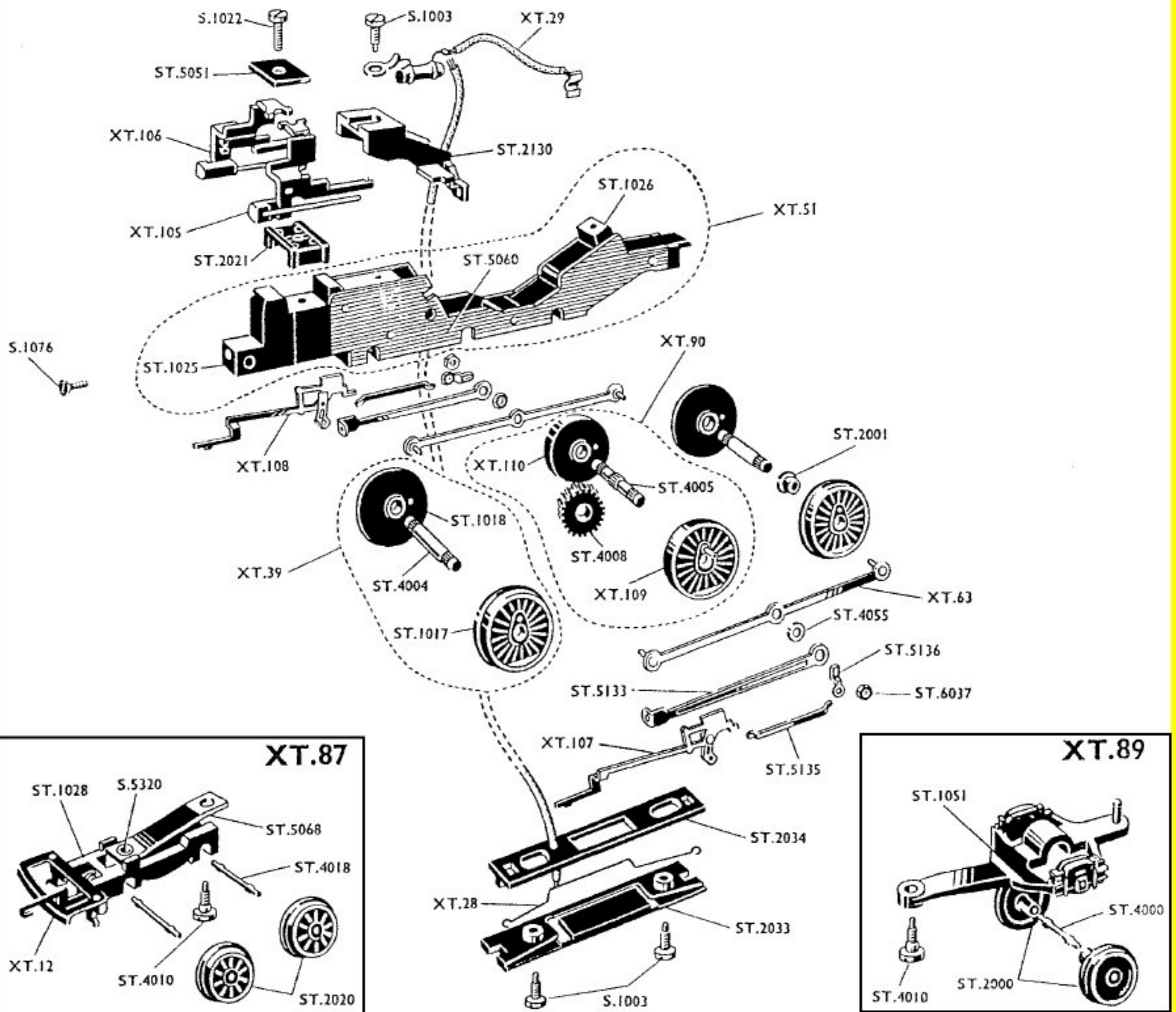


CHASSIS, BOGIE & PONY TRUCK - T.97



- XT.12** Coupling Unit
- XT.28** Collector Arm with Lead
- XT.29** T.V. Suppressor with Lead and Brush Clip
- XT.39** Front and Rear Axle Assembly (comprising ST.1017, ST.1018, ST.4004)
- XT.51** Main Frame Assembly (comprising ST.1025, ST.1026, 2—ST.5060)
- XT.63** Coupling Rod with Pins
- XT.87** Loco Bogie
- XT.89** Pony Truck
- XT.90** Centre Axle Assembly (comprising XT.109, XT.110, ST.4005, ST.4008)
- XT.105** Slide Bar Assembly (L/H)
- XT.106** Slide Bar Assembly (R/H)
- XT.107** Walschaerts Gear Link Assembly (L/H)

- XT.108** Walschaerts Gear Link Assembly (R/H)
- XT.109** Flangeless Bushed Wheel with Crank Pin
- XT.110** Flangeless Unbushed Wheel with Crank Pin
- ST.1017** Flanged Bushed Driving Wheel
- ST.1018** Flanged Unbushed Driving Wheel
- ST.1025** Front Weight
- ST.1026** Rear Weight
- ST.1028** Bogie Frame (XT.87)
- ST.1051** Pony Truck Frame (XT.89)
- ST.2000** Standard Rolling Stock Wheel
- ST.2001** Wheel Insulating Bush
- ST.2020** Locomotive Bogie Wheel
- ST.2021** Slide Bar Mounting
- ST.2033** Collector Diaphragm
- ST.2034** Collector Backing Plate

- ST.2130** Motion Bracket
- ST.4000** Standard Rolling Stock Axle
- ST.4004** Locomotive Axle—Plain
- ST.4005** Locomotive Axle—Knurled
- ST.4008** Worm Wheel (26 Teeth)
- ST.4010** Brush Gear, Drawbar and Bogie Screw, etc.
- ST.4018** Locomotive Bogie Axle
- ST.4055** Connecting Rod Spacer
- ST.5051** Slide Bar Top Plate
- ST.5060** Main Frame
- ST.5068** Bogie Link
- ST.5133** Connecting Rod
- ST.5135** Eccentric Rod
- ST.5136** Return Crank
- ST.6037** 12 BA Nut
- S.1003** Standard Screw
- S.1022** Slide Bar Fixing Screw
- S.1076** Body Fixing Screw
- S.5320** Eyelet

For Motor see Servicing Sheet No. 21

Modifications are made to Tri-ang Railways models from time to time. If a spare part is required which does not coincide with the illustration, a full description should be given and, if necessary, a sketch or sample should accompany the order.

PRINTED IN ENGLAND



ROVEX SCALE MODELS LIMITED
WESTWOOD, MARGATE, KENT, ENGLAND
 A Member of the Lines Bros. Group of Companies

SERVICING SHEET
No. 25
 Issued May, 1961